

(19) World Intellectual Property Organization  
International Bureau



(43) International Publication Date  
4 November 2010 (04.11.2010)

(10) International Publication Number  
**WO 2010/125337 A3**

(51) International Patent Classification:  
*G02F 1/1334* (2006.01) *G02B 27/48* (2006.01)  
*G02B 27/01* (2006.01)

(21) International Application Number:  
PCT/GB2010/000835

(22) International Filing Date:  
26 April 2010 (26.04.2010)

(25) Filing Language: English

(26) Publication Language: English

(30) Priority Data:  
61/202,996 27 April 2009 (27.04.2009) US

(72) Inventor; and

(71) Applicant : **POPOVICH, Milan, Momcilo** [GB/GB];  
53 Westfield Road, Leicester LE3 6HU (GB).

(72) Inventor: **WALDERN, Jonathan, David**; 11491 Old  
Ranch Road, Los Altos Hills, CA 94024 (US).

(81) Designated States (unless otherwise indicated, for every  
kind of national protection available): AE, AG, AL, AM,  
AO, AT, AU, AZ, BA, BB, BG, BH, BR, BW, BY, BZ,  
CA, CH, CL, CN, CO, CR, CU, CZ, DE, DK, DM, DO,  
DZ, EC, EE, EG, ES, FI, GB, GD, GE, GH, GM, GT,

HN, HR, HU, ID, IL, IN, IS, JP, KE, KG, KM, KN, KP,  
KR, KZ, LA, LC, LK, LR, LS, LT, LU, LY, MA, MD,  
ME, MG, MK, MN, MW, MX, MY, MZ, NA, NG, NI,  
NO, NZ, OM, PE, PG, PH, PL, PT, RO, RS, RU, SC, SD,  
SE, SG, SK, SL, SM, ST, SV, SY, TH, TJ, TM, TN, TR,  
TT, TZ, UA, UG, US, UZ, VC, VN, ZA, ZM, ZW.

(84) Designated States (unless otherwise indicated, for every  
kind of regional protection available): ARIPO (BW, GH,  
GM, KE, LR, LS, MW, MZ, NA, SD, SL, SZ, TZ, UG,  
ZM, ZW), Eurasian (AM, AZ, BY, KG, KZ, MD, RU, TJ,  
TM), European (AT, BE, BG, CH, CY, CZ, DE, DK, EE,  
ES, FI, FR, GB, GR, HR, HU, IE, IS, IT, LT, LU, LV,  
MC, MK, MT, NL, NO, PL, PT, RO, SE, SI, SK, SM,  
TR), OAPI (BF, BJ, CF, CG, CI, CM, GA, GN, GQ, GW,  
ML, MR, NE, SN, TD, TG).

Published:

- with international search report (Art. 21(3))
- before the expiration of the time limit for amending the  
claims and to be republished in the event of receipt of  
amendments (Rule 48.2(h))

(88) Date of publication of the international search report:  
23 December 2010

(54) Title: COMPACT HOLOGRAPHIC EDGE ILLUMINATED WEARABLE DISPLAY

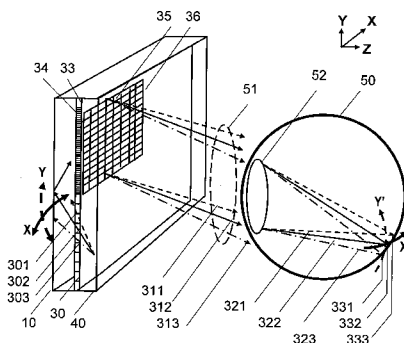


FIG. 17

(57) Abstract: There is provided a wearable display comprising a light source emitting light of a first wavelength; a first SBG device having a front side and a rear side; first and second transparent plates sandwiching said SBG device; independently switchable transparent electrode elements applied to the opposing surfaces of said transparent plates, a means for spatio-temporally modulating light from the light source to provide image light and a means for coupling the image light into the light guide formed by the two transparent plates and the SBG device. The SBG device comprises a multiplicity of selectively switchable grating regions. The SBG device diffracts image into the pupil of an eye.



WO 2010/125337 A3

**INTERNATIONAL SEARCH REPORT**

International application No  
PCT/GB2010/000835

**A. CLASSIFICATION OF SUBJECT MATTER**  
INV. G02B27/01 G02F1/1334 G02B27/48

According to International Patent Classification (IPC) or to both national classification and IPC

**B. FIELDS SEARCHED**

Minimum documentation searched (classification system followed by classification symbols)  
G02B G02F

Documentation searched other than minimum documentation to the extent that such documents are included in the fields searched

Electronic data base consulted during the international search (name of data base and, where practical, search terms used)

EPO-Internal

**C. DOCUMENTS CONSIDERED TO BE RELEVANT**

Category*	Citation of document, with indication, where appropriate, of the relevant passages	Relevant to claim No.
X	WO 2004/102226 A2 (POPOVICH MILAN M [GB] ET AL) 25 November 2004 (2004-11-25)	1-4, 6, 7, 9, 10, 13, 15-17, 19
Y	page 3, lines 1-3 page 3, lines 6-7  page 6, lines 20-25 page 7, line 6 - page 8, line 8 page 8, lines 23-25 abstract claim 3 figures 1-4	5, 8, 11, 12, 14, 18

Further documents are listed in the continuation of Box C.

See patent family annex.

\* Special categories of cited documents :

"A" document defining the general state of the art which is not considered to be of particular relevance

"E" earlier document but published on or after the international filing date

"L" document which may throw doubts on priority claim(s) or which is cited to establish the publication date of another citation or other special reason (as specified)

"O" document referring to an oral disclosure, use, exhibition or other means

"P" document published prior to the international filing date but later than the priority date claimed

"T" later document published after the international filing date or priority date and not in conflict with the application but cited to understand the principle or theory underlying the invention

"X" document of particular relevance; the claimed invention cannot be considered novel or cannot be considered to involve an inventive step when the document is taken alone

"Y" document of particular relevance; the claimed invention cannot be considered to involve an inventive step when the document is combined with one or more other such documents, such combination being obvious to a person skilled in the art.

"&" document member of the same patent family

Date of the actual completion of the international search

26 October 2010

Date of mailing of the international search report

08/11/2010

Name and mailing address of the ISA/

European Patent Office, P.B. 5818 Patentlaan 2  
NL - 2280 HV Rijswijk  
Tel. (+31-70) 340-2040,  
Fax: (+31-70) 340-3016

Authorized officer

Denise, Christophe

## INTERNATIONAL SEARCH REPORT

International application No

PCT/GB2010/000835

C(Continuation). DOCUMENTS CONSIDERED TO BE RELEVANT		
Category*	Citation of document, with indication, where appropriate, of the relevant passages	Relevant to claim No.
Y	WO 2009/013597 A2 (POPOVICH MILAN MOMCILO [GB]) 29 January 2009 (2009-01-29) page 27, lines 16-22 page 45, line 21 - page 46, line 10 page 53, line 20 - page 54, line 8 page 58, lines 8-15 figures 1(A), 19, 20, 28, 33(A) abstract  -----	5,8,11, 12,14,18

# INTERNATIONAL SEARCH REPORT

Information on patent family members

International application No  
PCT/GB2010/000835

Patent document cited in search report	Publication date	Patent family member(s)	Publication date
WO 2004102226	A2	25-11-2004	NONE
WO 2009013597	A2	29-01-2009	US 2010202725 A1
			12-08-2010