



US00D841369S

(12) **United States Design Patent**
Hu et al.

(10) **Patent No.:** **US D841,369 S**

(45) **Date of Patent:** **** Feb. 26, 2019**

(54) **HEIGHT ADJUSTMENT PLATFORM**

OTHER PUBLICATIONS

(71) Applicant: **DESIGNA INC.**, Foshan (CN)

Stand Steady, posted at Amazon.com, posted on Jan. 3, 2017, site visited Jun. 20, 2018. online, available from internet: <https://www.amazon.com/Stand-Steady-Award-Winning-Spring-Assisted-Adjustable/dp/B01N98WU1E>.*

(72) Inventors: **Yajun Hu**, Foshan (CN); **Chuyao Zhou**, Hunan (CN)

(Continued)

(73) Assignee: **DESIGNA INC.**, Foshan (CN)

Primary Examiner — Mary Ann Calabrese

(**) Term: **15 Years**

Assistant Examiner — Catherine Ho

(21) Appl. No.: **29/598,176**

(74) *Attorney, Agent, or Firm* — Alston & Bird LLP

(22) Filed: **Mar. 23, 2017**

(57) **CLAIM**

Related U.S. Application Data

The ornamental design for a height adjustment platform, as shown and described.

(63) Continuation-in-part of application No. 15/224,845, filed on Aug. 1, 2016.

(51) **LOC (11) Cl.** **06-03**

(52) **U.S. Cl.**
USPC **D6/655**; D6/655.14

(58) **Field of Classification Search**

USPC D6/641, 648, 648.2, 665, 655.1, D6/655.11–655.16, 655.21, 656, 702, D6/707.15, 707.19

CPC A47B 1/00; A47B 7/00; A47B 9/00; A47B 9/10; A47B 9/16; A47B 2009/006; A47B 11/00; A47B 13/00; A47B 13/081; A47B 21/0073; A47B 21/02; A47B 21/03; A47B 2200/005; A47B 2200/0064

See application file for complete search history.

DESCRIPTION

FIG. 1 is a top perspective view of a height adjustment platform, showing our new design; FIG. 2 is a bottom perspective view thereof; FIG. 3 is top plan view thereof; FIG. 4 is a bottom plan view thereof; FIG. 5 is a front elevation view thereof; FIG. 6 is a rear elevation view thereof; FIG. 7 is a left side elevation view thereof; FIG. 8 is a right side elevation view thereof; FIG. 9 is a top perspective view thereof shown in an alternative position of use; FIG. 10 is a bottom perspective view thereof; FIG. 11 is a top plan view thereof; FIG. 12 is a bottom plan view thereof; FIG. 13 is a front elevation view thereof; FIG. 14 is a rear elevation view thereof. FIG. 15 is a left side elevation view thereof; and, FIG. 16 is a right side elevation view thereof. The broken line portions of the drawing figures are included to show portions of the height adjustment platform that form no part of the claimed design.

(56) **References Cited**

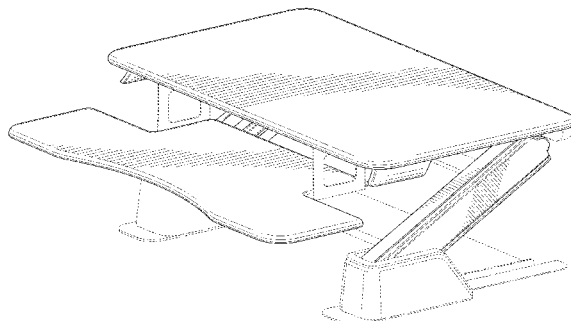
U.S. PATENT DOCUMENTS

4,073,240 A 2/1978 Fly
4,519,649 A 5/1985 Tanaka et al.
(Continued)

FOREIGN PATENT DOCUMENTS

CN 202168584 3/2012
CN 102536126 7/2012
(Continued)

1 Claim, 16 Drawing Sheets



(56)

References Cited

U.S. PATENT DOCUMENTS

4,558,553 A 12/1985 Kolk
 5,649,493 A 7/1997 Blume
 D395,969 S 7/1998 Barlow-Lawson
 5,823,120 A 10/1998 Holmquist
 D424,828 S 5/2000 Ko
 D428,279 S 7/2000 Olson
 6,116,557 A 9/2000 Choy
 6,148,739 A 11/2000 Martin
 D435,368 S 12/2000 Tzeng
 D436,268 S 1/2001 Ko
 D447,646 S 9/2001 Chang
 D464,212 S 10/2002 Chen
 D486,669 S 2/2004 Wang
 D499,576 S 12/2004 Long
 D530,939 S 10/2006 Nakamura
 D583,587 S 12/2008 Lai
 D586,155 S 2/2009 Lenterman
 D612,643 S 3/2010 Rossini et al.
 8,065,966 B1 11/2011 Bacon et al.
 D652,229 S 1/2012 Madison
 D681,979 S 5/2013 Keen et al.
 D691,223 S 10/2013 Hao
 8,671,853 B2 3/2014 Flaherty
 8,800,454 B2 8/2014 Jones
 D716,074 S 10/2014 Kitajima
 9,049,923 B1 6/2015 Delagey et al.
 9,055,810 B2 6/2015 Flaherty
 D733,476 S 7/2015 Paptic et al.
 9,113,703 B2 8/2015 Flaherty
 9,277,809 B2 3/2016 Flaherty et al.
 9,289,058 B2 3/2016 Flaherty
 9,326,598 B1 5/2016 West et al.
 D771,981 S * 11/2016 Flaherty D6/655
 D771,982 S * 11/2016 Flaherty D6/655
 9,504,316 B1 11/2016 Streicher et al.
 9,554,644 B2 1/2017 Flaherty et al.
 D781,617 S 3/2017 Flaherty et al.
 D781,618 S 3/2017 Flaherty et al.
 D781,619 S 3/2017 Flaherty et al.
 D784,050 S * 4/2017 Flaherty D6/655
 D785,386 S * 5/2017 Flaherty D6/707.15
 D785,989 S * 5/2017 Flaherty D6/696
 D814,214 S * 4/2018 Flaherty D6/648
 2003/0116066 A1 * 6/2003 Ken A47B 9/08
 108/147
 2003/0140822 A1 7/2003 Seiler et al.
 2003/0230222 A1 12/2003 Liu
 2005/0045072 A1 3/2005 Rossini
 2005/0284341 A1 12/2005 Klassy et al.
 2008/0072803 A1 3/2008 Korber et al.
 2012/0193495 A1 8/2012 Sugiyama et al.
 2013/0139736 A1 6/2013 Flaherty
 2013/0340655 A1 12/2013 Flaherty
 2014/0020606 A1 1/2014 Benden
 2014/0048671 A1 2/2014 Tsai
 2014/0123883 A1 5/2014 Jennings et al.
 2014/0158026 A1 6/2014 Flaherty
 2015/0250303 A1 9/2015 Flaherty
 2015/0289641 A1 10/2015 Ergun et al.
 2015/0296976 A1 10/2015 Janowski et al.
 2016/0073779 A1 3/2016 Ringlein
 2016/0109056 A1 4/2016 Chen et al.
 2016/0158076 A1 6/2016 Flaherty et al.
 2017/0290413 A1 * 10/2017 Hu A47B 21/02
 2017/0354245 A1 * 12/2017 Martin A47B 9/16
 2017/0360192 A1 * 12/2017 Hu A47B 9/16

2018/0055214 A1 * 3/2018 Kim A47B 9/16
 2018/0103752 A1 * 4/2018 Zhong A47B 9/16
 2018/0140089 A1 * 5/2018 Blackburn A47B 21/02

FOREIGN PATENT DOCUMENTS

CN 203873238 10/2014
 CN 204541230 8/2015
 CN 105901923 8/2016
 DE 29614295 9/1996
 SE 504292 12/1996

OTHER PUBLICATIONS

iMovR, posted at Amazon.com, posted on Jan. 30, 2017, site visited Jun. 20, 2018. online, available from internet: <https://www.amazon.com/iMovR-Standing-Converter-Ergonomic-Keybaord/dp/B074XMZ7MN>.
 Halter, posted at Amazon.com, posted on Feb. 29, 2016, site visited Jun. 20, 2018. online, available from internet: <https://www.amazon.com/Halter-ED-258-Preassembled-Adjustable-Elevating/dp/B01BMULFAA>.
 Fancierstudio, posted at Amazon.com, posted on Dec. 20, 2016, site visited Jun. 20, 2018. online, available from internet: <https://www.amazon.com/dp/B01NCKIU70>.
 Office Action from U.S. Appl. No. 15/224,845, dated Sep. 21, 2017, 15 pages.
 “Ergotron Work Fit-T Sit-Stand Desktop Workstation Stand with Table Mount”; [online] [retrieved Jan. 11, 2017]. Retrieved from the Internet: <URL: https://www.amazon.com/Ergotron-Sit-Stand-Desktop-Workstation-33-397-085/dp/B00QL6IGWQ/ref=sr_1_1?ie=UTF8&qid=1483986627&sr=8-1&keywords=ergotron+work+table>. (dated 2017) 8 pages.
 “FlexiSpot 35" Wide Platform Height Adjustable Standing Desk Riser”; [online] [retrieved Jan. 11, 2017]. Retrieved from the Internet: <URL: https://www.amazon.com/FlexiSpot-Platform-Adjustable-Removable-M2B-M-SIZE/dp/B01HPE05BM/ref=sr_1_1?ie=UTF8&qid=1483986590&sr=8-1&keywords=flexispot+35+riser>. (dated 2017) 9 pages.
 “Halter ED-258 Preassembled Height Adjustable Desk Sit / Stand Desk Elevating Desktop”; [online] [retrieved Jan. 11, 2017]. Retrieved from the Internet: <URL: https://www.amazon.com/Halter-ED-258-Preassembled-Adjustable-Elevating/dp/B01BMULFAA/ref=sr_1_fm0_1?ie=UTF8&qid=1483986452&sr=8-1-fk0&keywords=Halter=ED-258+Pre+Desk+Elevating+Desk>. (dated 2017) 9 pages.
 “Rocelco ADR Height Adjustable Sit/Stand Desk Computer Riser”; [online] [retrieved Jan. 11, 2017]. Retrieved from the Internet: <URL: https://www.amazon.com/Rocelco-ADR-Adjustable-Computer-Capacity/dp/B015GCGOD8/ref=sr_1_1?ie=UTF8&qid=1483986493&sr=8-1&keywords=rocelco+adr>. (dated 2017) 8 pages.
 “VARIDESK—Height-Adjustable Standing Desk”; [online] [retrieved Jan. 11, 2017]. Retrieved from the Internet: <URL: https://www.amazon.com/VARIDESK-Height-Adjustable-Standing-Cubicles-Corner/dp/B017BUXRRE/ref=sr_1_1?ie=UTF8&qid=1483986540&sr=8-1-spons&keywords=VARIDESK-Height-Adjustable-Standing-Desk&psc=1>. (dated 2017) 8 pages.
 International Search Report and Written Opinion for Application No. PCT/CN2016/108694 dated Jun. 3, 2016, 10 pages.
 Office Action from U.S. Appl. No. 15/224,845, dated Mar. 13, 2018, 10 pages.
 Office Action from U.S. Appl. No. 15/689,548, dated May 29, 2018, 11 pages.

* cited by examiner

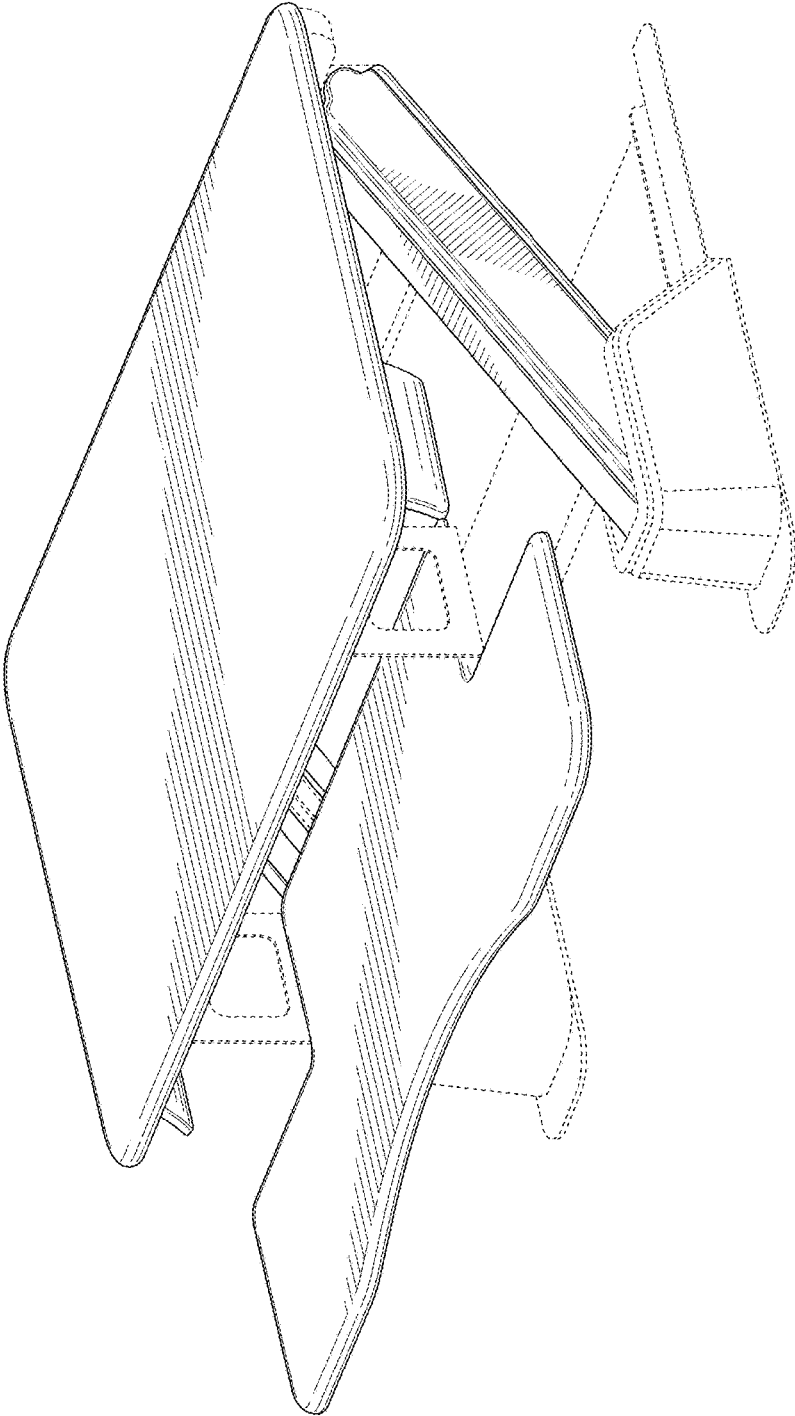


FIG. 1

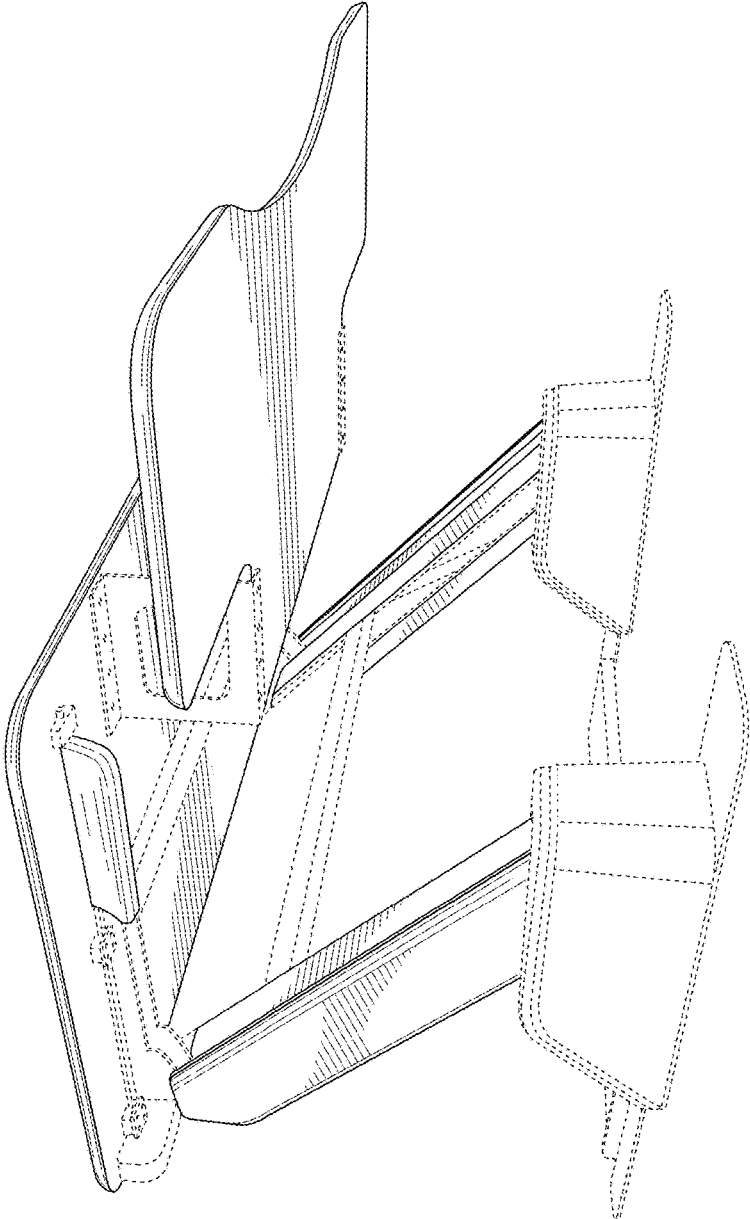


FIG. 2

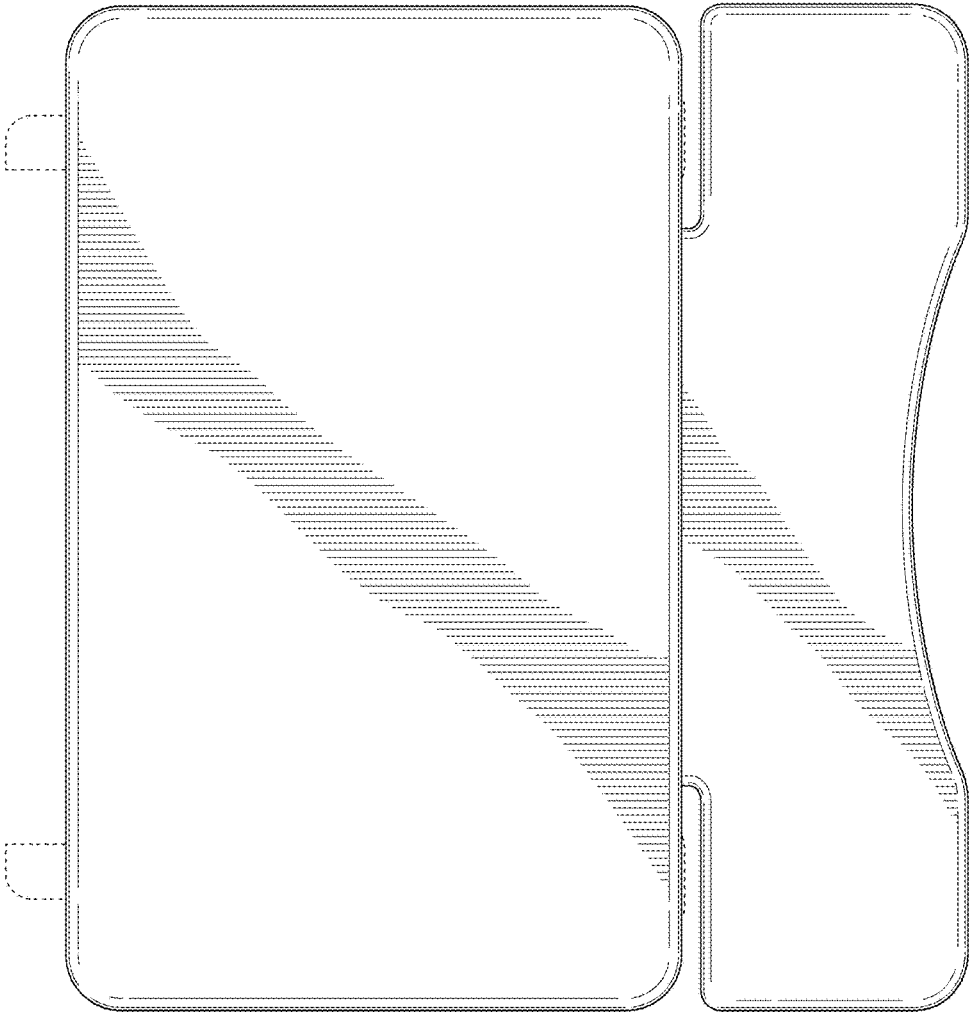


FIG. 3

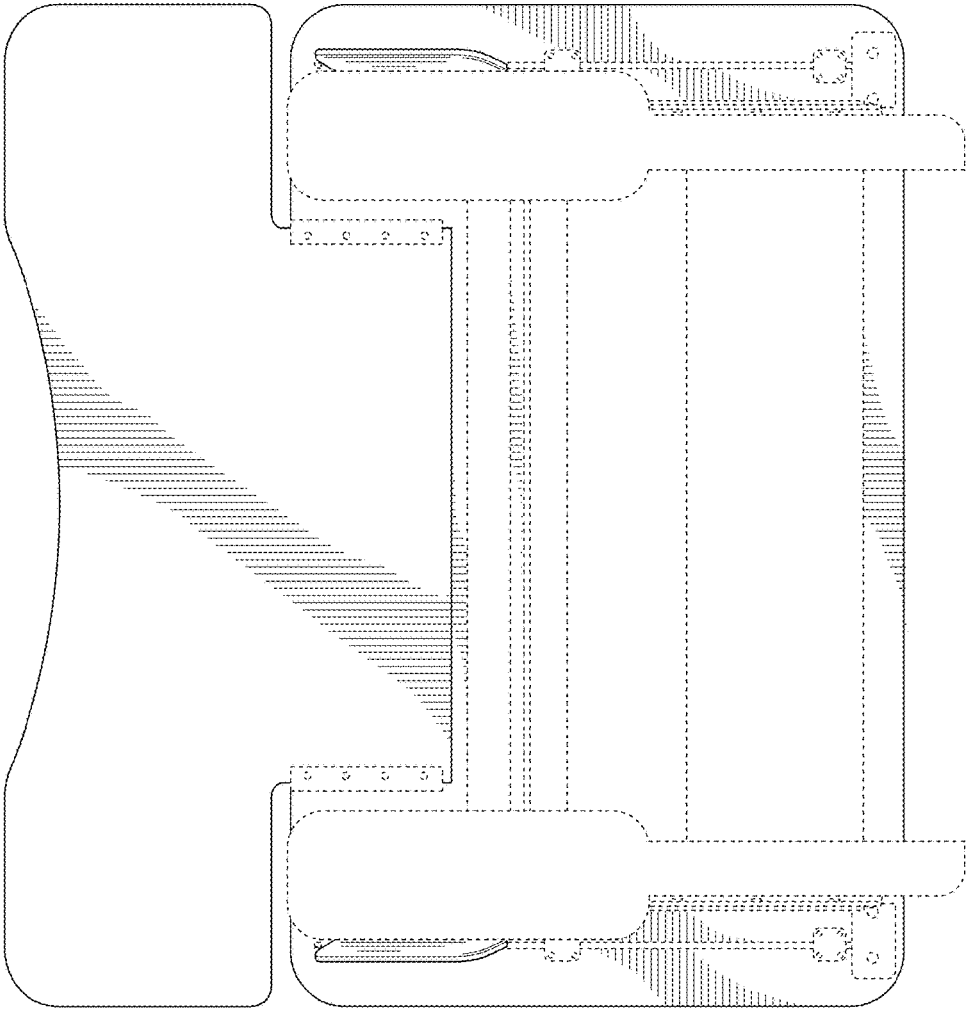


FIG. 4

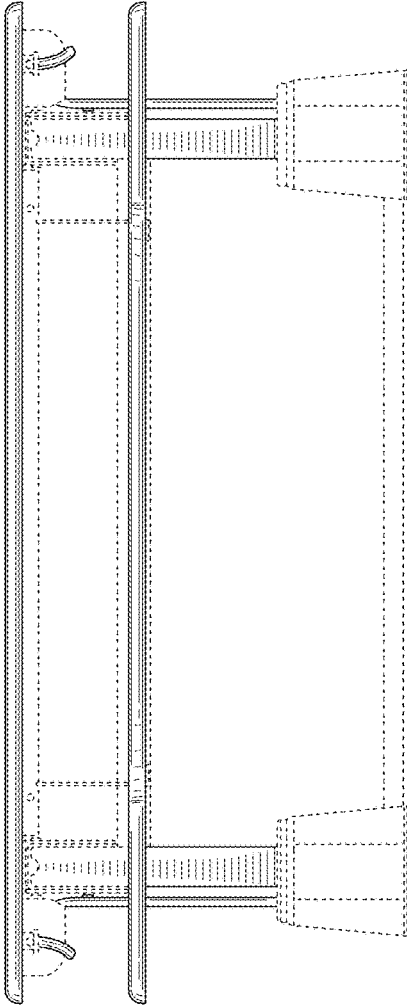


FIG. 5

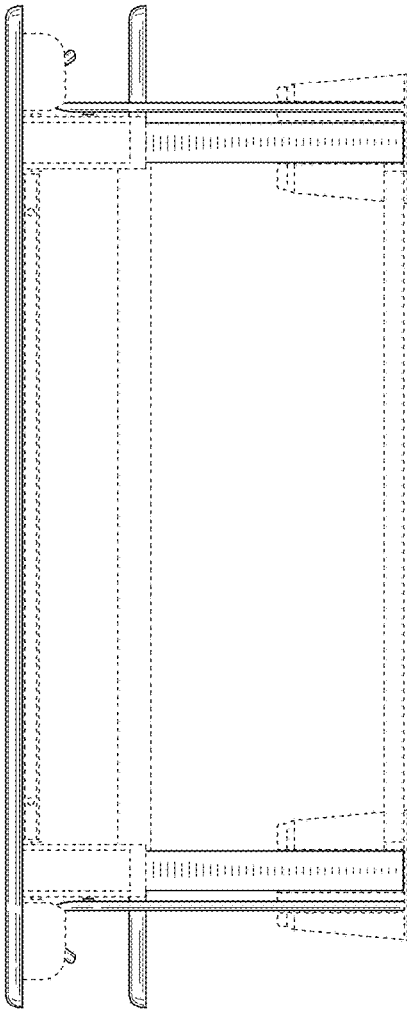


FIG. 6

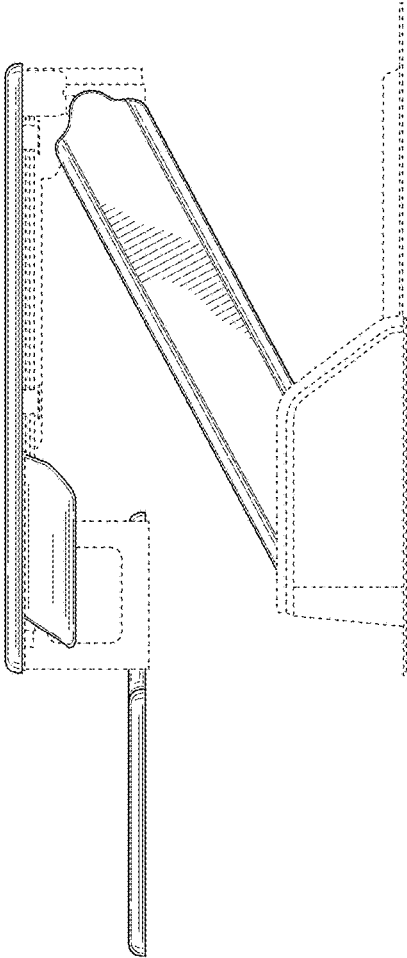


FIG. 7

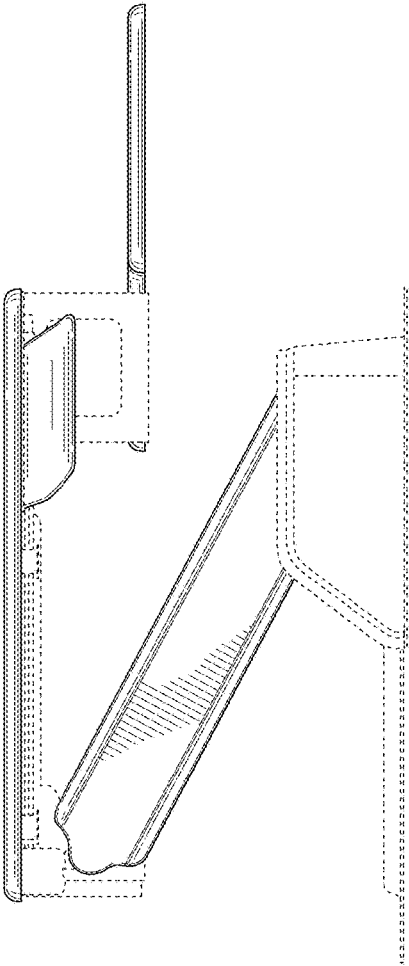


FIG. 8

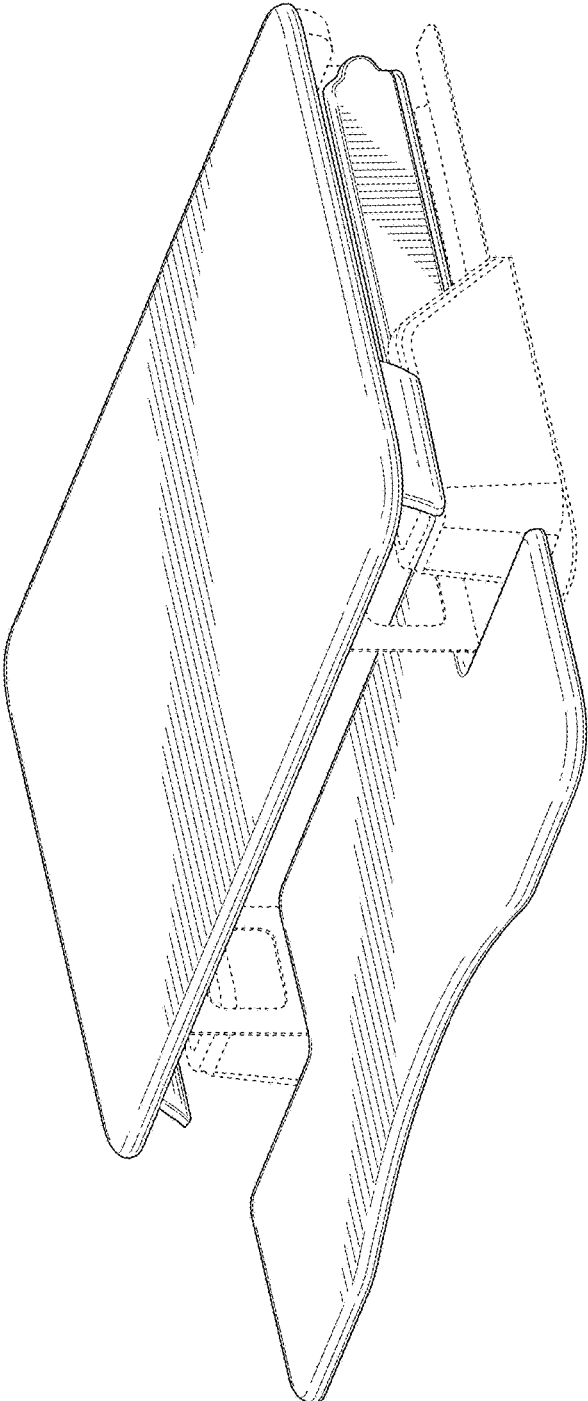


FIG. 9

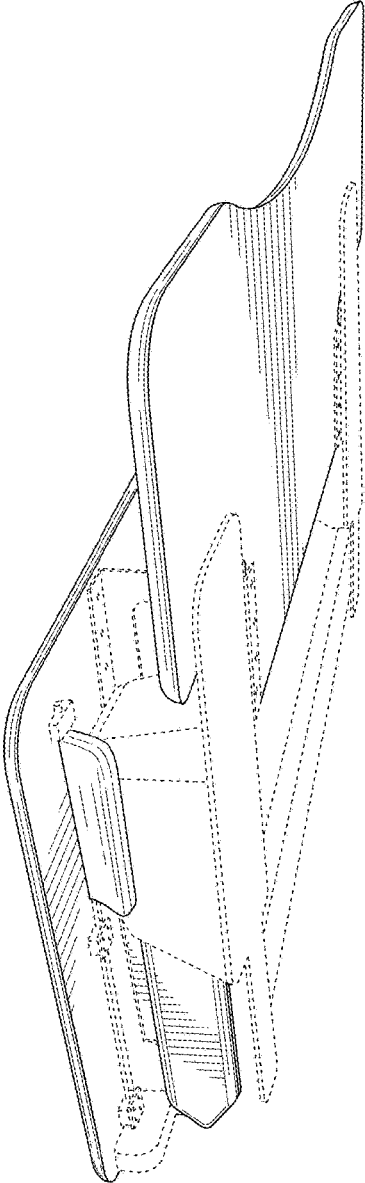


FIG. 10

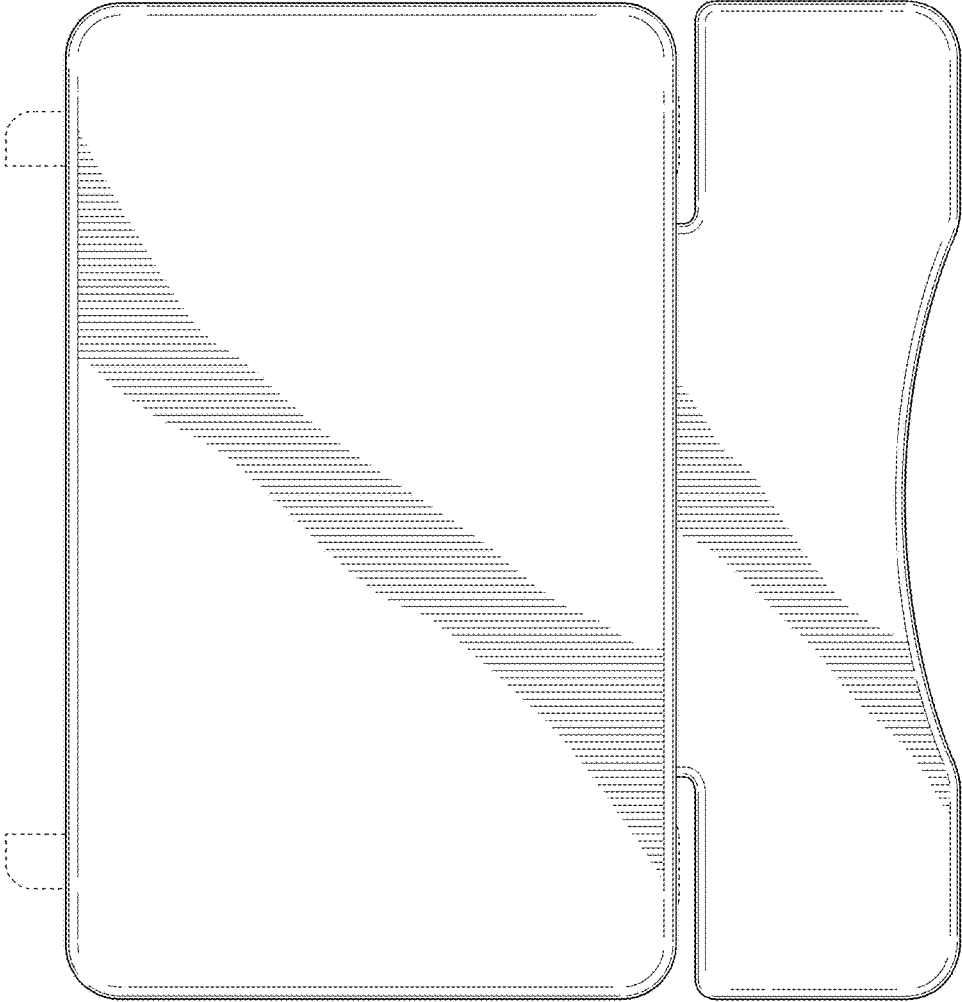


FIG. 11

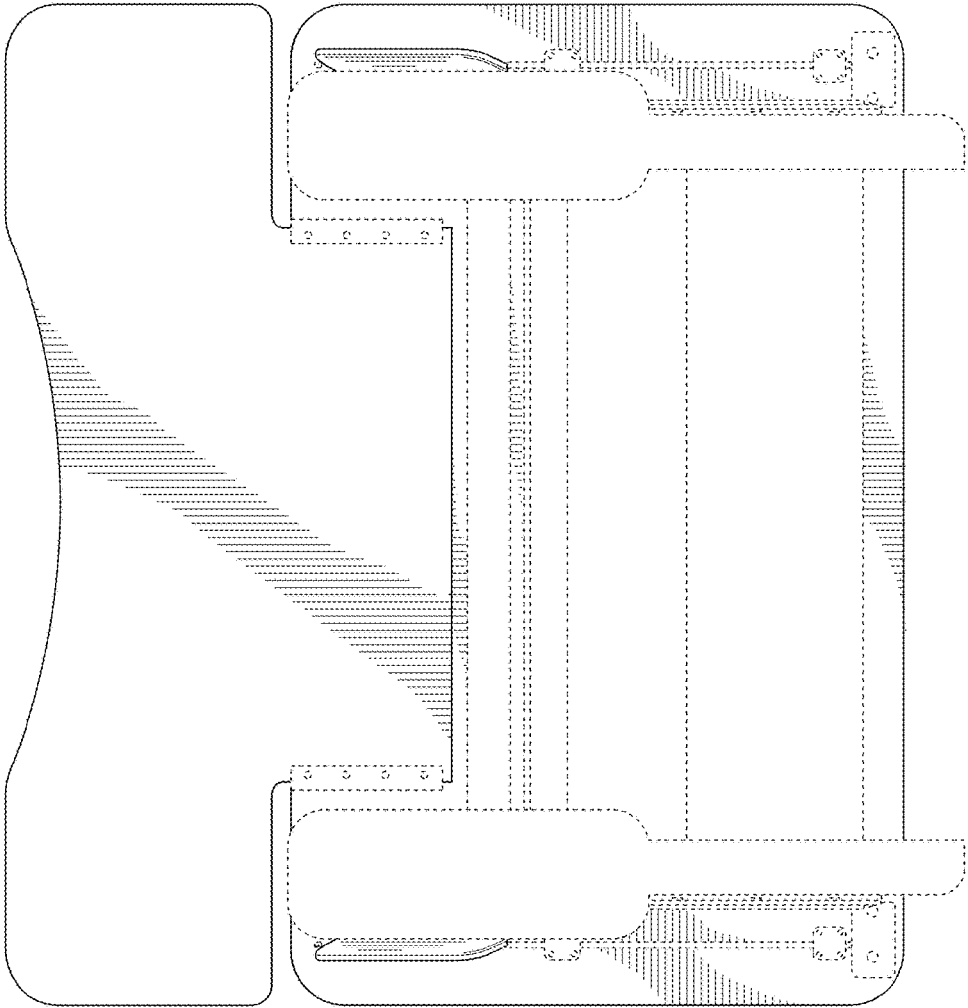


FIG. 12

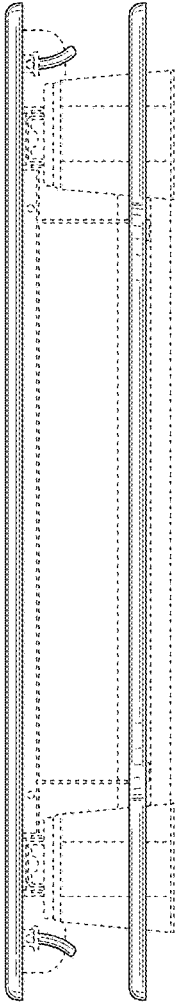


FIG 13

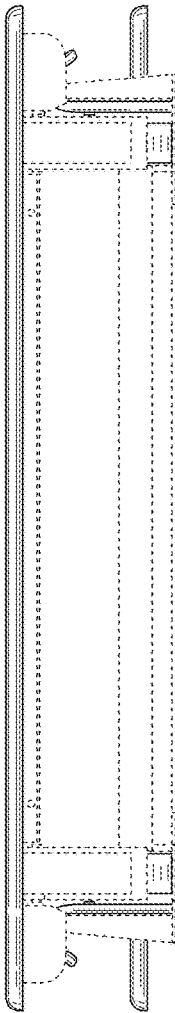


FIG. 14

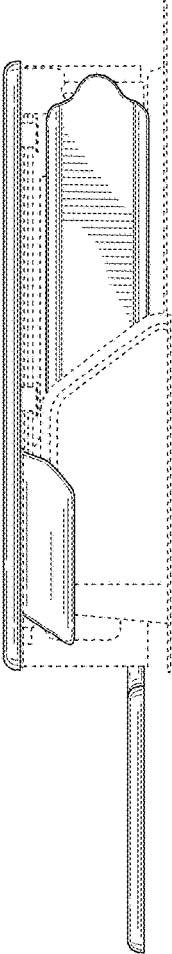


FIG. 15

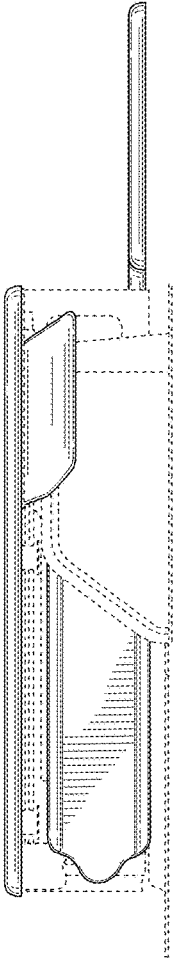


FIG. 16