



US00D769489S

(12) **United States Design Patent**
Ma

(10) **Patent No.:** **US D769,489 S**

(45) **Date of Patent:** **** Oct. 18, 2016**

- (54) **FRONT LIGHT FOR A VEHICLE**
- (71) Applicant: **Foshan Tuff Plus Auto Lighting Co., Ltd.**, Foshan, Guangdong (CN)
- (72) Inventor: **Yong Ma**, Guangdong (CN)
- (73) Assignee: **Foshan Tuff Plus Auto Lighting Co., Ltd.**, Foshan, Guangdong (CN)
- (**) Term: **15 Years**
- (21) Appl. No.: **29/537,755**
- (22) Filed: **Aug. 28, 2015**
- (51) **LOC (10) Cl.** **26-06**
- (52) **U.S. Cl.**
USPC **D26/28**
- (58) **Field of Classification Search**
USPC D26/28-36; 362/459-468, 475-478, 362/485-487
CPC F21S 48/00; F21S 48/10; F21S 48/115; F21S 48/225; F21S 48/1233; F21S 48/1266; F21S 48/1388; F21S 48/2268; F21V 21/04
See application file for complete search history.

D578,678 S *	10/2008	Huang	D26/28
D592,778 S *	5/2009	Chang	D26/28
D606,682 S *	12/2009	Chang	D26/28
D645,177 S *	9/2011	Okuda	D12/345
D662,632 S *	6/2012	Wilson	D26/28
D720,483 S *	12/2014	Saddig	D26/28

* cited by examiner

Primary Examiner — Marcus Jackson

(74) *Attorney, Agent, or Firm* — Sand & Sebolt

(57) **CLAIM**

The ornamental design for a front light for a vehicle, as shown and described.

DESCRIPTION

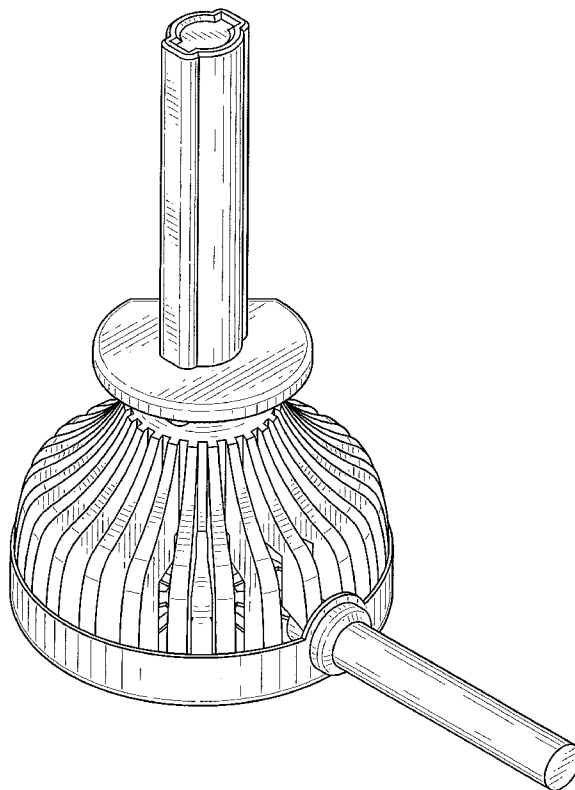
FIG. 1 is an isometric perspective view of a front light for a vehicle in accordance with my design;
 FIG. 2 is a front elevation thereof;
 FIG. 3 is a rear elevation thereof;
 FIG. 4 is a top plan view thereof;
 FIG. 5 is a bottom plan view thereof;
 FIG. 6 is a left side elevation thereof;
 FIG. 7 is a right side elevation thereof; and,
 FIG. 8 is a section taken along line 8-8 of FIG. 6.
 The broken lines illustrate portions of the front light for a vehicle which form no part of the claimed design.

(56) **References Cited**

U.S. PATENT DOCUMENTS

D547,889 S *	7/2007	Huang	D26/28
D570,012 S *	5/2008	Huang	D26/28

1 Claim, 8 Drawing Sheets



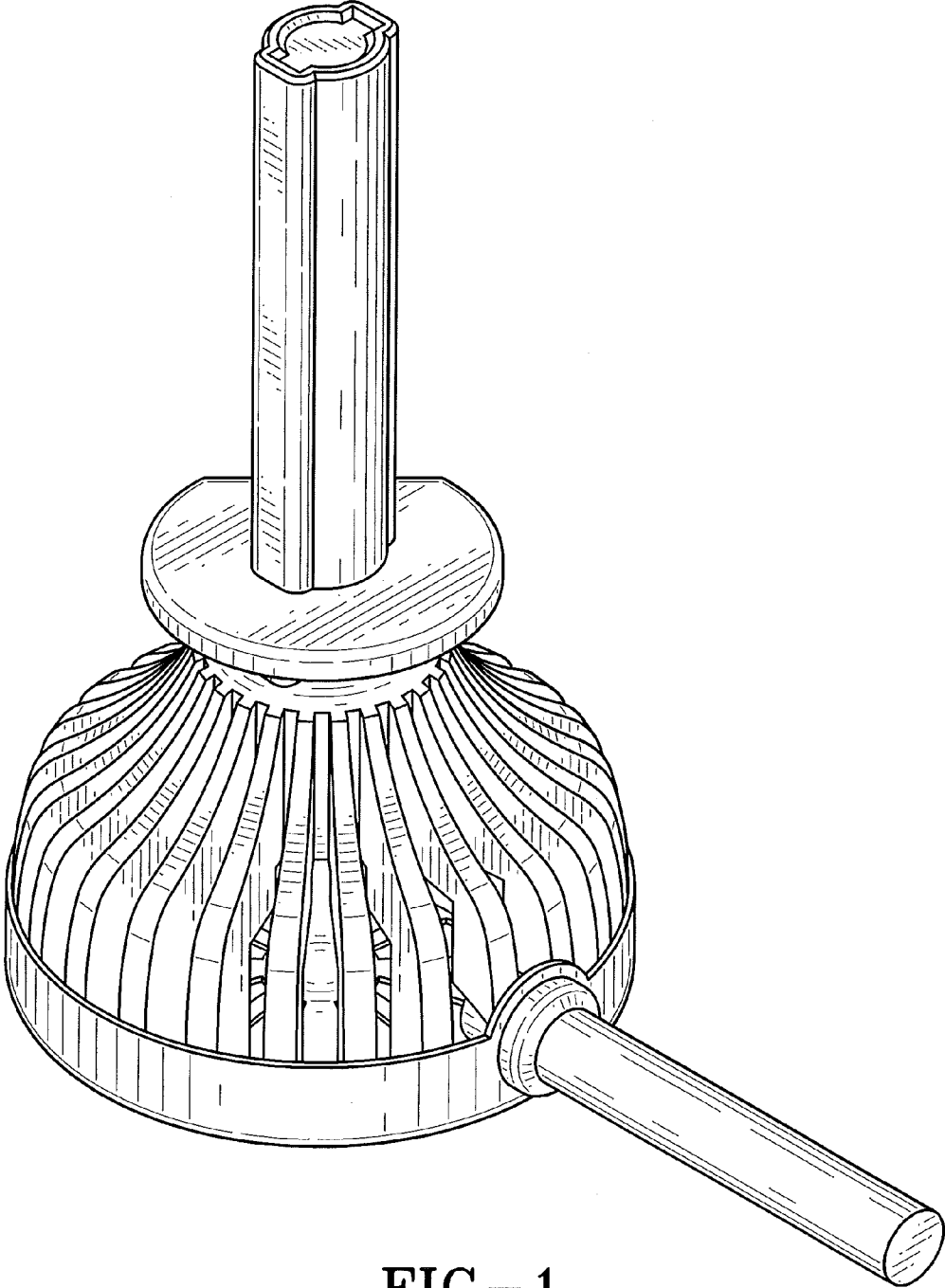


FIG-1

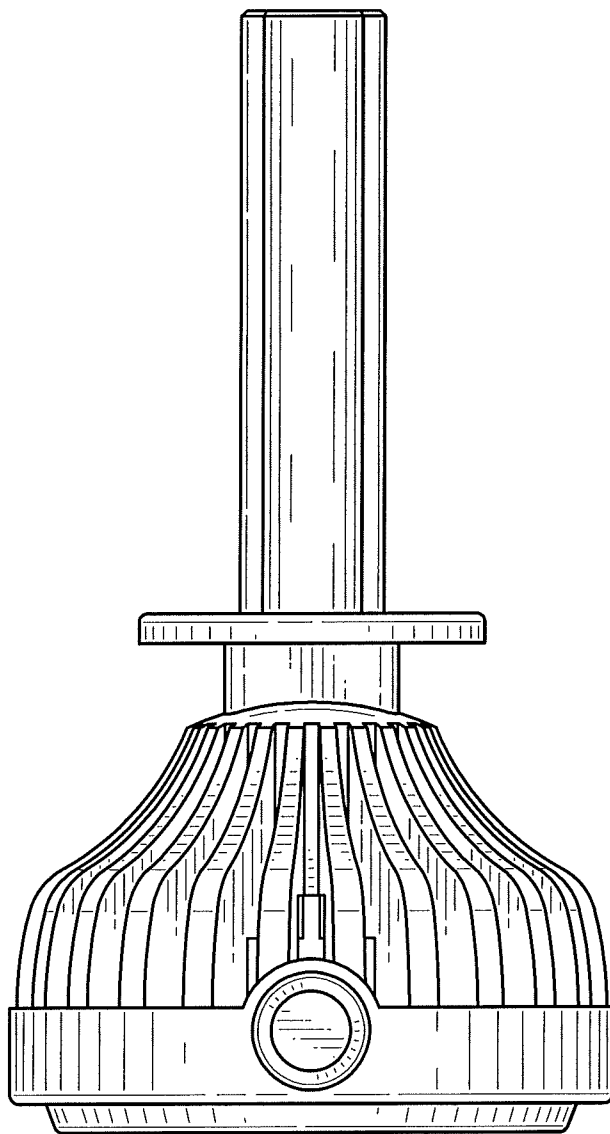


FIG-2

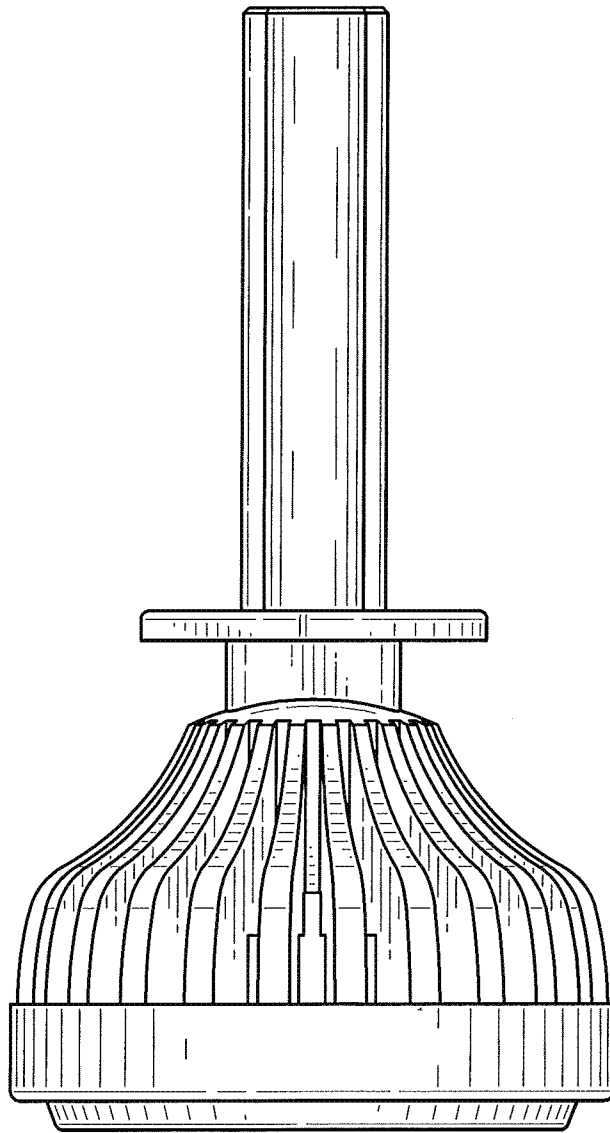


FIG-3

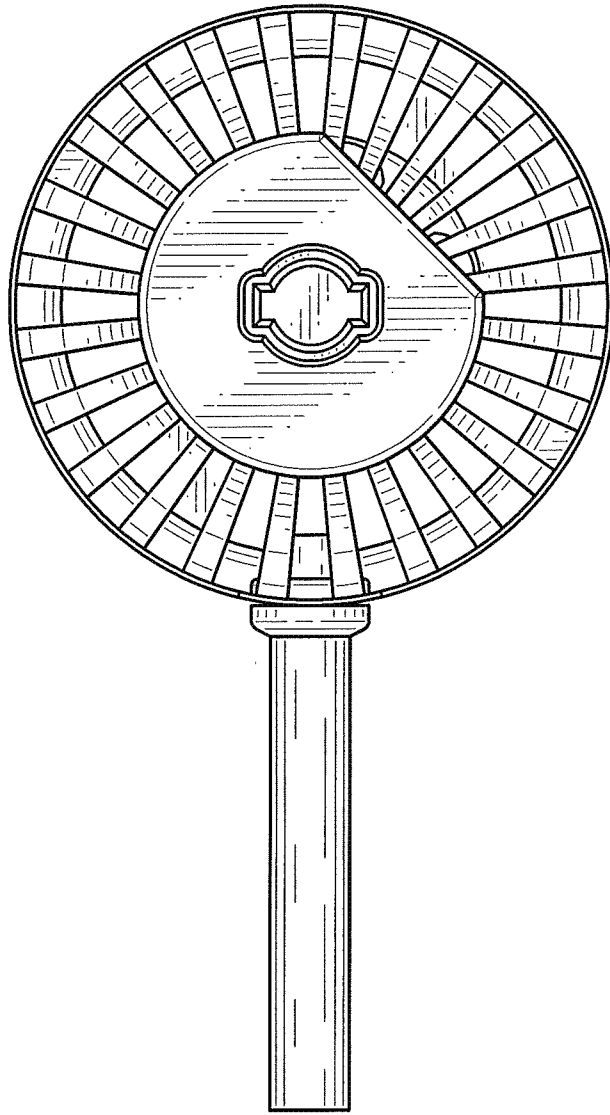


FIG-4

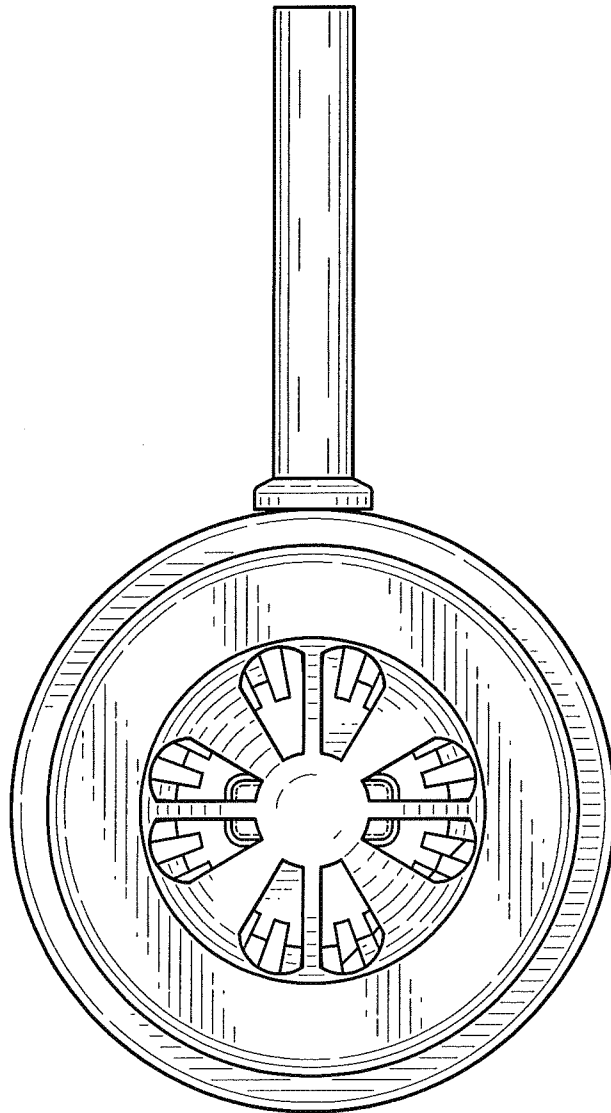


FIG-5

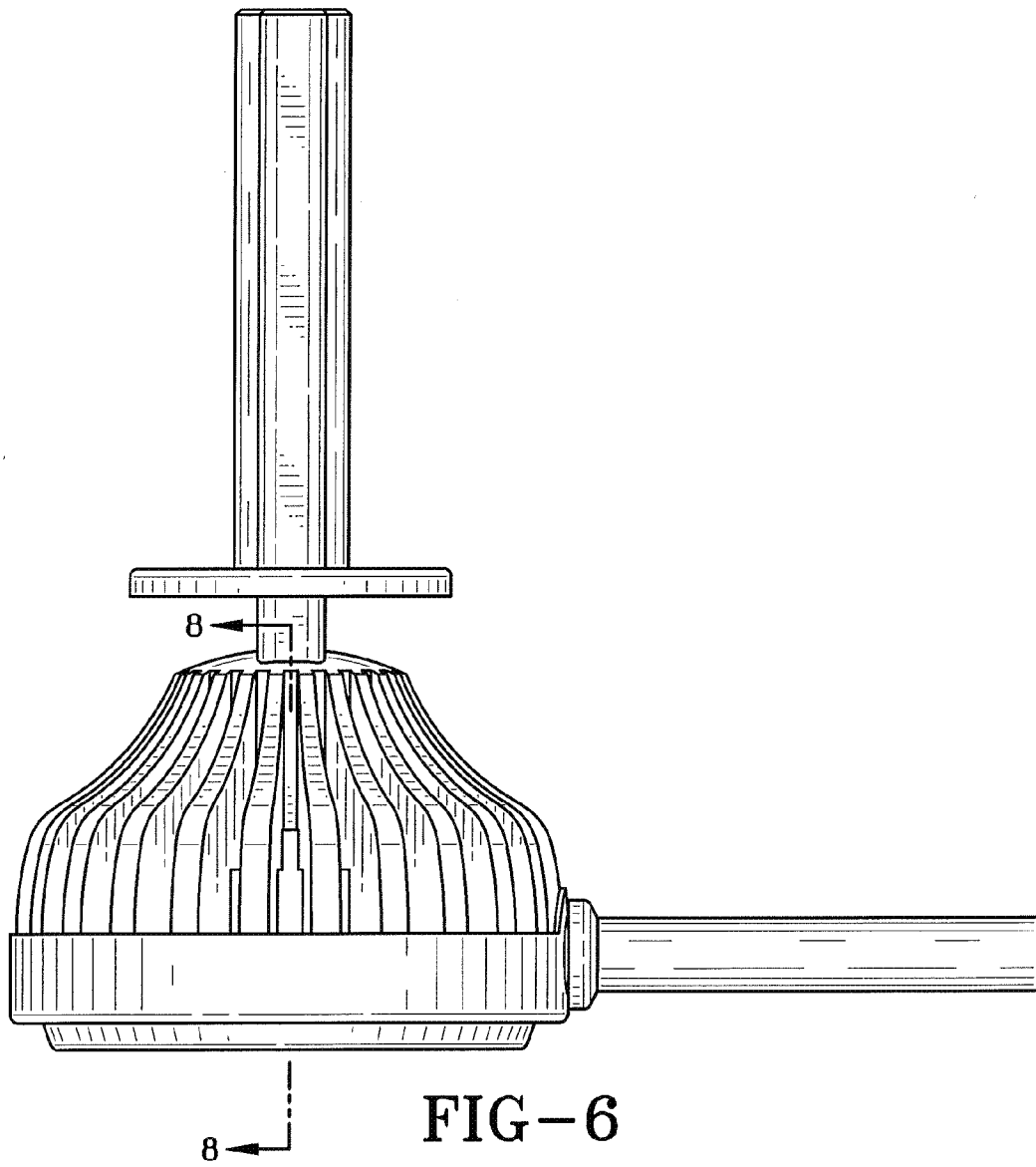


FIG-6

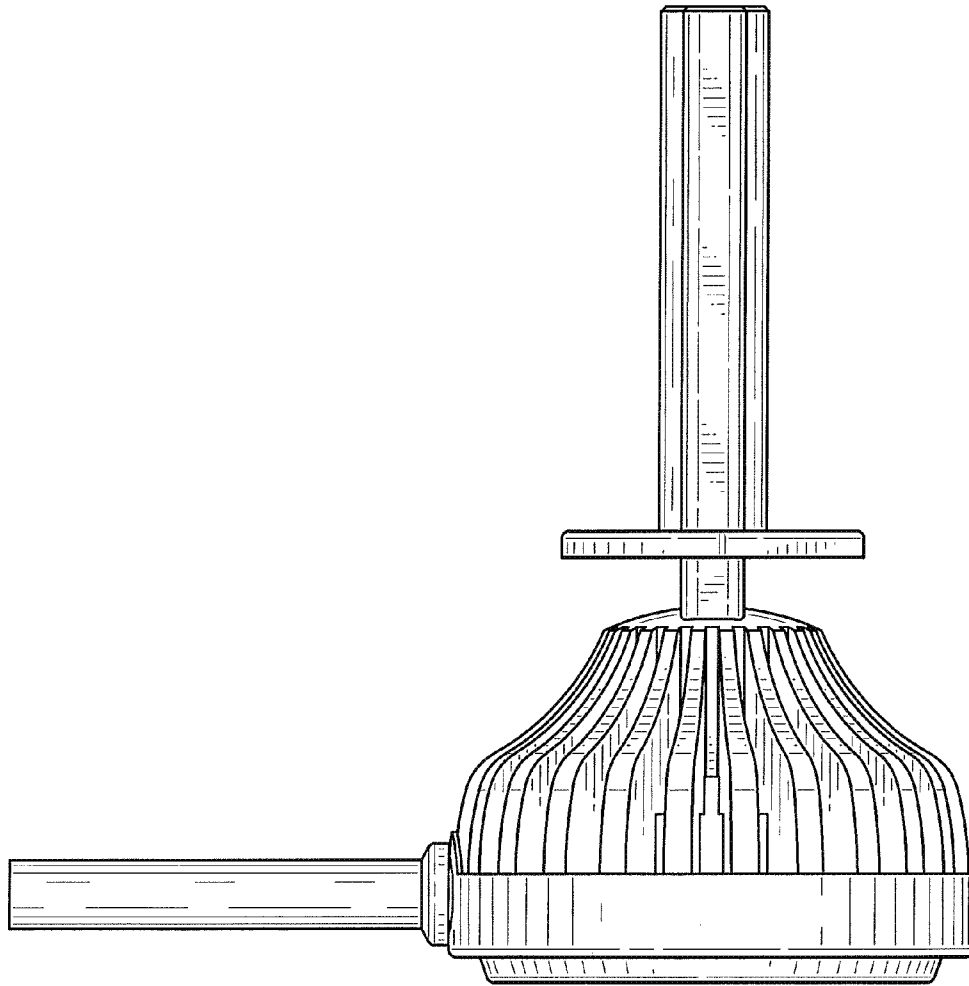


FIG-7

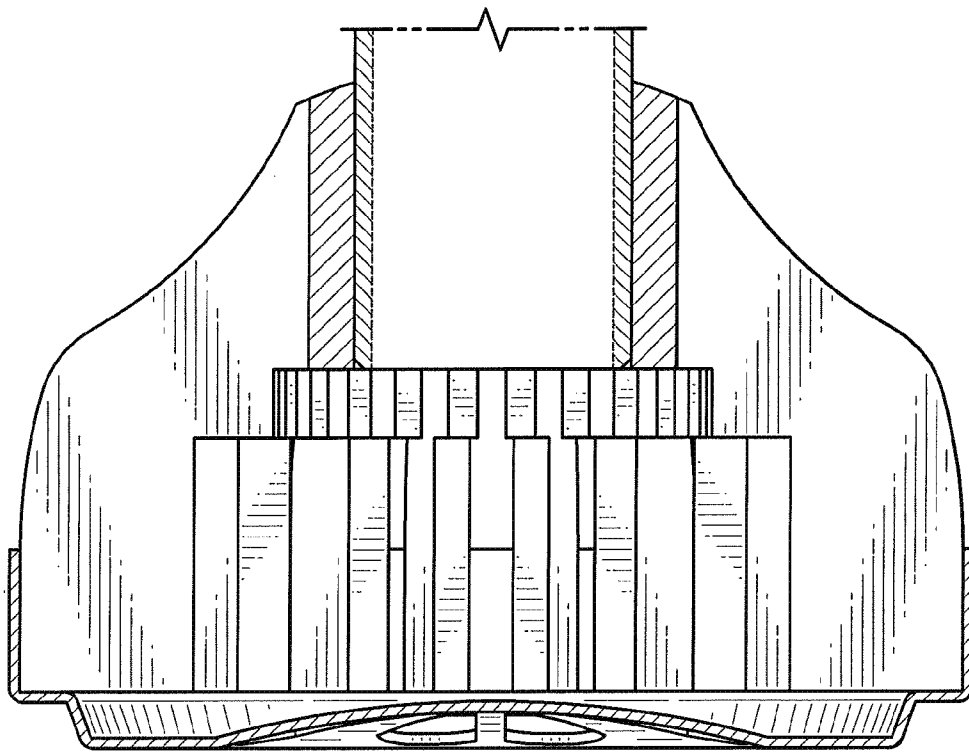


FIG-8