



US00D709773S

(12) **United States Design Patent**
Murray

(10) **Patent No.:** **US D709,773 S**

(45) **Date of Patent:** **** Jul. 29, 2014**

- (54) **FLEXIBLE POUCH**
- (71) Applicant: **Pouch Pac Innovations, LLC**, Sarasota, FL (US)
- (72) Inventor: **R. Charles Murray**, Sarasota, FL (US)
- (73) Assignee: **Pouch Pac Innovations, LLC**, Sarasota, FL (US)

D654,372 S *	2/2012	Hung	D9/710
D669,795 S *	10/2012	Larkin et al.	D9/707
D674,290 S *	1/2013	Berman	D9/707
D676,763 S *	2/2013	Kenmotsu et al.	D9/707
D687,718 S *	8/2013	Copeland et al.	D9/708
D688,139 S *	8/2013	Larkin et al.	D9/709
D690,605 S *	10/2013	Hong et al.	D9/710
D694,649 S *	12/2013	Ferber	D9/708
D699,590 S *	2/2014	Anastasiadis et al.	D9/709
D700,067 S *	2/2014	Murray	D9/710

(**) Term: **14 Years**

(21) Appl. No.: **29/480,757**

(22) Filed: **Jan. 29, 2014**

(51) **LOC (10) Cl.** **09-05**

(52) **U.S. Cl.**
USPC **D9/702**

(58) **Field of Classification Search**
USPC D9/702-714, 443, 447, 499, 516-517,
D9/523-524, 526-528, 530, 719, 572;
222/92, 210, 212, 215; D23/211.1,
D23/212; 220/200, 260, 288, 768, 901;
206/815; 215/200, 217-218, 382-385,
215/396, 371; D7/312, 321; 383/61.1,
383/80-81, 104, 901; 428/35.2

See application file for complete search history.

(56) **References Cited**

U.S. PATENT DOCUMENTS

D465,726 S *	11/2002	Tet	D9/708
D639,185 S *	6/2011	Hung	D9/709
D645,762 S *	9/2011	Hong et al.	D9/710

* cited by examiner

Primary Examiner — Caron D Veynar

Assistant Examiner — Abraham Bahta

(74) *Attorney, Agent, or Firm* — Gifford, Krass, Sprinkle, Anderson & Citkowski, P.C.

(57) **CLAIM**

The ornamental design for a flexible pouch, as shown and described.

DESCRIPTION

FIG. 1 is a perspective view of the front of the flexible pouch taken at an angle;

FIG. 2 is a plan top view of the flexible pouch;

FIG. 3 is an elevational view of the front of the flexible pouch;

FIG. 4 is an elevational view of a side of the flexible pouch;

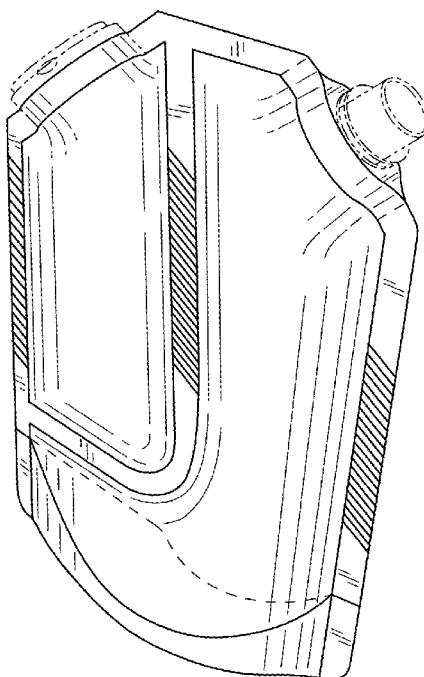
FIG. 5 is an elevational view of the back of the flexible pouch;

FIG. 6 is elevational view of another side of the flexible pouch; and,

FIG. 7 is a plan bottom view of the flexible pouch.

It should be appreciated that the broken lines are merely illustrative of the environment of the design and not part of the claimed design.

1 Claim, 2 Drawing Sheets



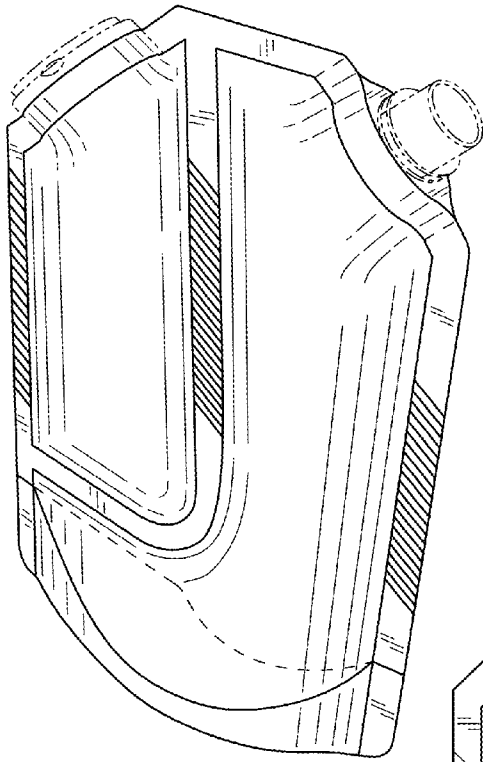


FIG. 1

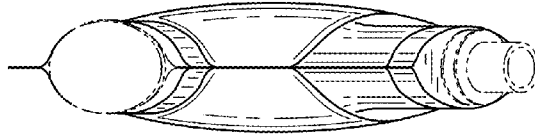


FIG. 2

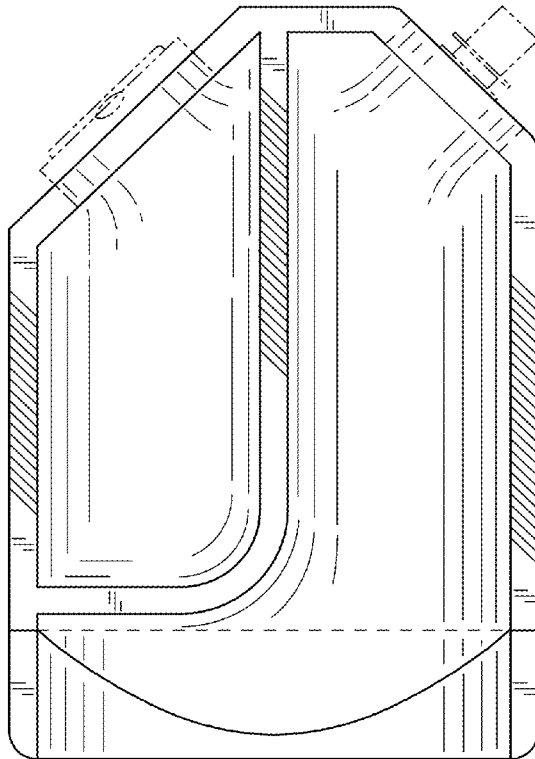


FIG. 3

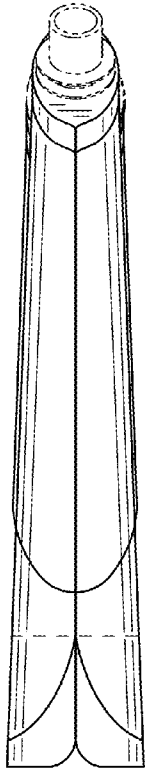


FIG. 4

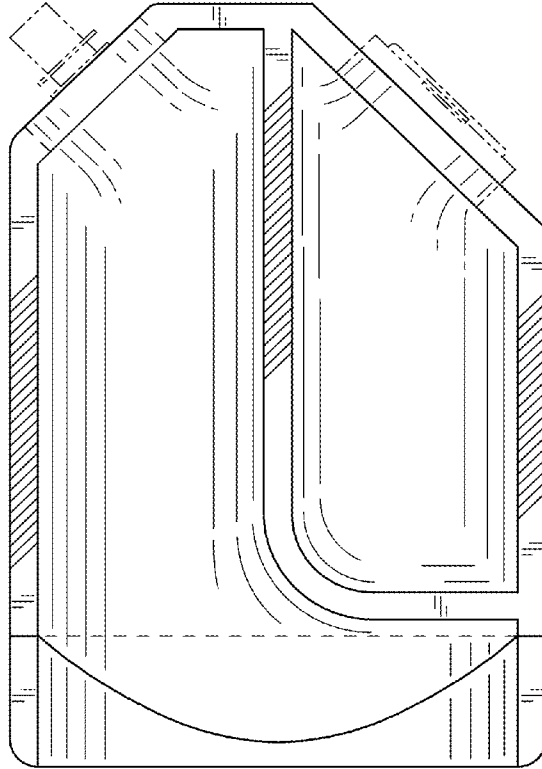


FIG. 5

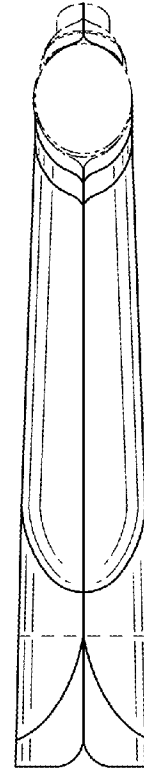


FIG. 6

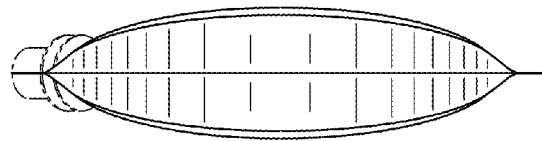


FIG. 7