



- (51) International Patent Classification:
A61M 25/10 (2013.01)
- (21) International Application Number:
PCT/US2013/029959
- (22) International Filing Date:
8 March 2013 (08.03.2013)
- (25) Filing Language: English
- (26) Publication Language: English
- (30) Priority Data:
61/608,852 9 March 2012 (09.03.2012) US
2008439 9 March 2012 (09.03.2012) NL
- (71) Applicant: CLEARSTREAM TECHNOLOGIES LIMITED [IE/IE]; Moyne Upper, Enniscorthy, County Wexford (IE).
- (72) Inventors; and
- (71) Applicants (for US only): BYRNE, Pat [IE/IE]; Springfield, Clonagal, Enniscorthy, Co. Wexford (IE). CRALL, Angela, Susan [US/US]; 1625 West 3rd Street, Tempe, AZ 85281 (US). RIGHI, Robert [US/US]; 2383 W Detroit Place, Chandler, AZ 85224 (US). RONAN, Allan [IE/IE]; Moyne Upper, Enniscorthy, County Wexford (IE). WALES, Paul, Merton [IE/IE]; East Lodge, Castlehyde, Fermoy, Co.cork (IE). WALL, Sean [IE/IE]; Moyne Upper, Enniscorthy, County Wexford (IE).
- (74) Agent: DORISIO, Andrew, D.; King & Schickli, PLLC, 247 N. Broadway, Lexington, KY 40507 (US).
- (81) Designated States (unless otherwise indicated, for every kind of national protection available): AE, AG, AL, AM, AO, AT, AU, AZ, BA, BB, BG, BH, BN, BR, BW, BY,

BZ, CA, CH, CL, CN, CO, CR, CU, CZ, DE, DK, DM, DO, DZ, EC, EE, EG, ES, FI, GB, GD, GE, GH, GM, GT, HN, HR, HU, ID, IL, IN, IS, JP, KE, KG, KM, KN, KP, KR, KZ, LA, LC, LK, LR, LS, LT, LU, LY, MA, MD, ME, MG, MK, MN, MW, MX, MY, MZ, NA, NG, NI, NO, NZ, OM, PA, PE, PG, PH, PL, PT, QA, RO, RS, RU, RW, SC, SD, SE, SG, SK, SL, SM, ST, SV, SY, TH, TJ, TM, TN, TR, TT, TZ, UA, UG, US, UZ, VC, VN, ZA, ZM, ZW.

- (84) Designated States (unless otherwise indicated, for every kind of regional protection available): ARIPO (BW, GH, GM, KE, LR, LS, MW, MZ, NA, RW, SD, SL, SZ, TZ, UG, ZM, ZW), Eurasian (AM, AZ, BY, KG, KZ, RU, TJ, TM), European (AL, AT, BE, BG, CH, CY, CZ, DE, DK, EE, ES, FI, FR, GB, GR, HR, HU, IE, IS, IT, LT, LU, LV, MC, MK, MT, NL, NO, PL, PT, RO, RS, SE, SI, SK, SM, TR), OAPI (BF, BJ, CF, CG, CI, CM, GA, GN, GQ, GW, ML, MR, NE, SN, TD, TG).

Declarations under Rule 4.17:

- as to the identity of the inventor (Rule 4.17(i))
- as to applicant's entitlement to apply for and be granted a patent (Rule 4.17(ii))

Published:

- with international search report (Art. 21(3))
- before the expiration of the time limit for amending the claims and to be republished in the event of receipt of amendments (Rule 48.2(h))

- (88) Date of publication of the international search report:
5 December 2013

(54) Title: MEDICAL BALLOON WITH RADIOPAQUE IDENTIFIER FOR PRECISELY IDENTIFYING THE WORKING SURFACE

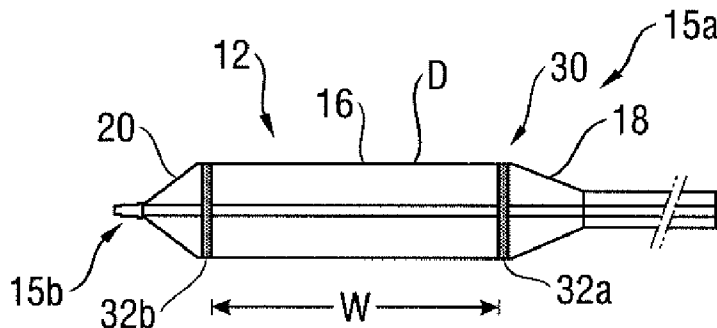


Fig. 10

(57) Abstract: A balloon catheter includes an elongated, tubular shaft extending in a longitudinal direction, said shaft having a proximal end and a distal end. An inflatable balloon is supported along the distal end of the shaft, the balloon when inflated including first and second spaced conical end sections and a working surface between the conical sections. The balloon further includes at least one radiopaque marking identifying the transition from the conical end section to the working surface. Related aspects are also disclosed.

WO 2013/134688 A3

INTERNATIONAL SEARCH REPORT

International application No
PCT/US2013/029959

A. CLASSIFICATION OF SUBJECT MATTER
INV. A61M25/10
ADD.

According to International Patent Classification (IPC) or to both national classification and IPC

B. FIELDS SEARCHED
Minimum documentation searched (classification system followed by classification symbols)
A61M

Documentation searched other than minimum documentation to the extent that such documents are included in the fields searched

Electronic data base consulted during the international search (name of data base and, where practicable, search terms used)
EPO-Internal, WPI Data, PAJ

C. DOCUMENTS CONSIDERED TO BE RELEVANT

Category*	Citation of document, with indication, where appropriate, of the relevant passages	Relevant to claim No.
X	US 2006/224114 A1 (VAN SLOTEN LEONARD A [NL] ET AL) 5 October 2006 (2006-10-05) paragraph [0034] - paragraph [0041]; figures -----	1-4,6,9
X	US 2007/100280 A1 (VAN SLOTEN LEONARD A [NL] ET AL) 3 May 2007 (2007-05-03) abstract; figures -----	1-4,6,9
X	US 2002/198559 A1 (MISTRY BHAVESH [US] ET AL) 26 December 2002 (2002-12-26) paragraph [0016] - paragraph [0020]; figures -----	1-4,6,9
A	WO 00/57816 A1 (SCIMED LIFE SYSTEMS INC [US]) 5 October 2000 (2000-10-05) abstract; figures -----	1-11

Further documents are listed in the continuation of Box C.

See patent family annex.

* Special categories of cited documents :

- "A" document defining the general state of the art which is not considered to be of particular relevance
- "E" earlier application or patent but published on or after the international filing date
- "L" document which may throw doubts on priority claim(s) or which is cited to establish the publication date of another citation or other special reason (as specified)
- "O" document referring to an oral disclosure, use, exhibition or other means
- "P" document published prior to the international filing date but later than the priority date claimed

"T" later document published after the international filing date or priority date and not in conflict with the application but cited to understand the principle or theory underlying the invention

"X" document of particular relevance; the claimed invention cannot be considered novel or cannot be considered to involve an inventive step when the document is taken alone

"Y" document of particular relevance; the claimed invention cannot be considered to involve an inventive step when the document is combined with one or more other such documents, such combination being obvious to a person skilled in the art

"&" document member of the same patent family

Date of the actual completion of the international search 3 July 2013	Date of mailing of the international search report 11/10/2013
--	--

Name and mailing address of the ISA/ European Patent Office, P.B. 5818 Patentlaan 2 NL - 2280 HV Rijswijk Tel. (+31-70) 340-2040, Fax: (+31-70) 340-3016	Authorized officer Kousouretas, Ioannis
--	--

INTERNATIONAL SEARCH REPORT

International application No.
PCT/US2013/029959

Box No. II Observations where certain claims were found unsearchable (Continuation of item 2 of first sheet)

This international search report has not been established in respect of certain claims under Article 17(2)(a) for the following reasons:

1. Claims Nos.:
because they relate to subject matter not required to be searched by this Authority, namely:

2. Claims Nos.:
because they relate to parts of the international application that do not comply with the prescribed requirements to such an extent that no meaningful international search can be carried out, specifically:

3. Claims Nos.:
because they are dependent claims and are not drafted in accordance with the second and third sentences of Rule 6.4(a).

Box No. III Observations where unity of invention is lacking (Continuation of item 3 of first sheet)

This International Searching Authority found multiple inventions in this international application, as follows:

see additional sheet

1. As all required additional search fees were timely paid by the applicant, this international search report covers all searchable claims.

2. As all searchable claims could be searched without effort justifying an additional fees, this Authority did not invite payment of additional fees.

3. As only some of the required additional search fees were timely paid by the applicant, this international search report covers only those claims for which fees were paid, specifically claims Nos.:

4. No required additional search fees were timely paid by the applicant. Consequently, this international search report is restricted to the invention first mentioned in the claims; it is covered by claims Nos.:

1-15

Remark on Protest

- The additional search fees were accompanied by the applicant's protest and, where applicable, the payment of a protest fee.
- The additional search fees were accompanied by the applicant's protest but the applicable protest fee was not paid within the time limit specified in the invitation.
- No protest accompanied the payment of additional search fees.

FURTHER INFORMATION CONTINUED FROM PCT/ISA/ 210

This International Searching Authority found multiple (groups of) inventions in this international application, as follows:

1. claims: 1-15

A balloon catheter comprising an elongated tubular shaft extending in a longitudinal direction and an inflatable balloon, the balloon when inflated including first and second spaced conical end sections.

2. claims: 16-22

A balloon having a drug carried on a working surface of the balloon wall and a radiopaque identifier identifying the location of the drug on the balloon.

INTERNATIONAL SEARCH REPORT

Information on patent family members

International application No PCT/US2013/029959

Patent document cited in search report	Publication date	Patent family member(s)	Publication date
US 2006224114	A1	05-10-2006	EP 1879639 A1 23-01-2008
			JP 2008538986 A 13-11-2008
			US 2006224114 A1 05-10-2006
			WO 2006118737 A1 09-11-2006

US 2007100280	A1	03-05-2007	NONE

US 2002198559	A1	26-12-2002	CA 2443609 A1 09-01-2003
			EP 1399212 A1 24-03-2004
			JP 2004531350 A 14-10-2004
			US 2002198559 A1 26-12-2002
			US 2005004649 A1 06-01-2005
			WO 03002183 A1 09-01-2003

WO 0057816	A1	05-10-2000	CA 2365179 A1 05-10-2000
			EP 1164970 A1 02-01-2002
			JP 2002539889 A 26-11-2002
			US 6786889 B1 07-09-2004
			US 2003004535 A1 02-01-2003
			WO 0057816 A1 05-10-2000
