



US00D978201S

(12) **United States Design Patent**  
Shen et al.

(10) **Patent No.:** US D978,201 S  
(45) **Date of Patent:** \*\* Feb. 14, 2023

- (54) **EXCAVATOR**
- (71) Applicant: **JIANGSU XCMG CONSTRUCTION MACHINERY RESEARCH INSTITUTE LTD.**, Xuzhou (CN)
- (72) Inventors: **Sicheng Shen**, Xuzhou (CN); **Geng Xue**, Xuzhou (CN); **Shuai Shao**, Xuzhou (CN)
- (73) Assignee: **JIANGSU XCMG CONSTRUCTION MACHINERY RESEARCH INSTITUTE LTD.**, Xuzhou (CN)

(\*\*) Term: **15 Years**

(21) Appl. No.: **29/804,536**

(22) Filed: **Aug. 20, 2021**

(51) **LOC (14) Cl.** ..... **12-09**

(52) **U.S. Cl.**  
USPC ..... **D15/22; D15/25**

(58) **Field of Classification Search**  
USPC ..... D15/10, 22–26, 28, 30  
CPC ..... E02F 3/32; E02F 3/76; E02F 3/40; E02F 3/325; E02F 3/352; E02F 3/384; E02F 3/425; E02F 3/437; E02F 3/627; E02F 3/964; E02F 9/163; E02F 9/0858; E02F 9/0875; E02F 9/2045; E02F 9/006; E02F 9/0808; E02F 9/0833; E02F 9/2004; E02F 9/207; E02F 9/2091; E02F 9/2246; E02F 9/2292; E02F 9/0086; E02F 9/18; F01N 13/001; F01N 2590/08

See application file for complete search history.

(56) **References Cited**

**U.S. PATENT DOCUMENTS**

- D409,629 S \* 5/1999 Miyaoka ..... D15/25
- D462,973 S \* 9/2002 Tamaru ..... D15/25

- D508,498 S \* 8/2005 Shimokakiuchi ..... D15/24
- D518,071 S \* 3/2006 Gwak ..... D15/25
- D575,804 S \* 8/2008 Murakami ..... D15/28
- D590,845 S \* 4/2009 Ochi ..... D15/24
- D591,773 S \* 5/2009 Ueta ..... D15/24
- D631,067 S \* 1/2011 Nishimura ..... D15/24
- D677,703 S \* 3/2013 Hiraoka ..... D15/25
- D684,598 S \* 6/2013 Hagura ..... D15/24
- D684,599 S \* 6/2013 Saito ..... D15/24
- D685,394 S \* 7/2013 Nagata ..... D15/24
- D695,791 S \* 12/2013 Hagura ..... D15/25
- D707,261 S \* 6/2014 Caboret ..... D15/24
- D738,403 S \* 9/2015 Imashige ..... D15/24
- D752,112 S \* 3/2016 Hagura ..... D15/24
- D842,344 S \* 3/2019 Okuyama ..... D15/23
- D854,054 S \* 7/2019 Hirasawa ..... D15/25
- D875,143 S \* 2/2020 Hagura ..... D15/24
- D895,687 S \* 9/2020 Phadatare ..... D15/25
- D905,762 S \* 12/2020 Phadatare ..... D15/24
- D912,098 S \* 3/2021 Tanaka ..... D15/22
- D927,559 S \* 8/2021 Shinde ..... D15/24
- D931,907 S \* 9/2021 Tanaka ..... D15/22

(Continued)

*Primary Examiner* — Mark A Goodwin  
(74) *Attorney, Agent, or Firm* — Kilpatrick Townsend & Stockton LLP

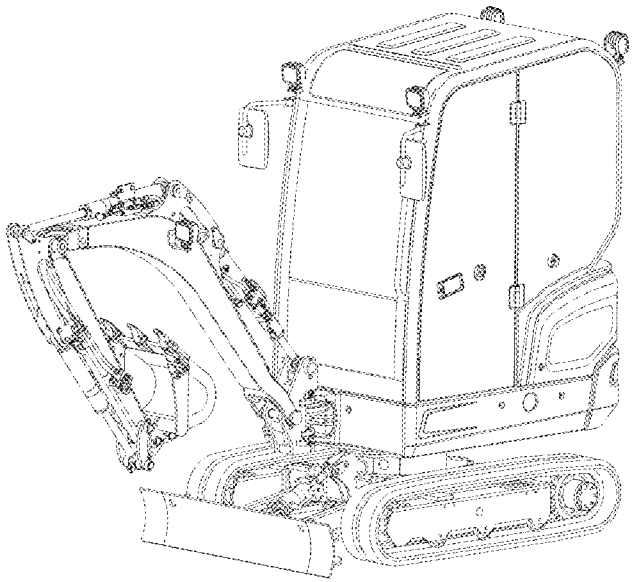
(57) **CLAIM**

The ornamental design for an excavator, as shown and described.

**DESCRIPTION**

FIG. 1 is a first perspective view of an excavator, showing our new design;  
 FIG. 2 is a second perspective view thereof;  
 FIG. 3 is a third perspective view thereof;  
 FIG. 4 is a front view thereof;  
 FIG. 5 is a rear view thereof;  
 FIG. 6 is a left side view thereof;  
 FIG. 7 is a right side view thereof; and,  
 FIG. 8 is a top view thereof.

**1 Claim, 8 Drawing Sheets**



(56)

**References Cited**

U.S. PATENT DOCUMENTS

D941,885 S \* 1/2022 Major ..... D15/25  
D952,003 S \* 5/2022 Xue ..... D15/25

\* cited by examiner

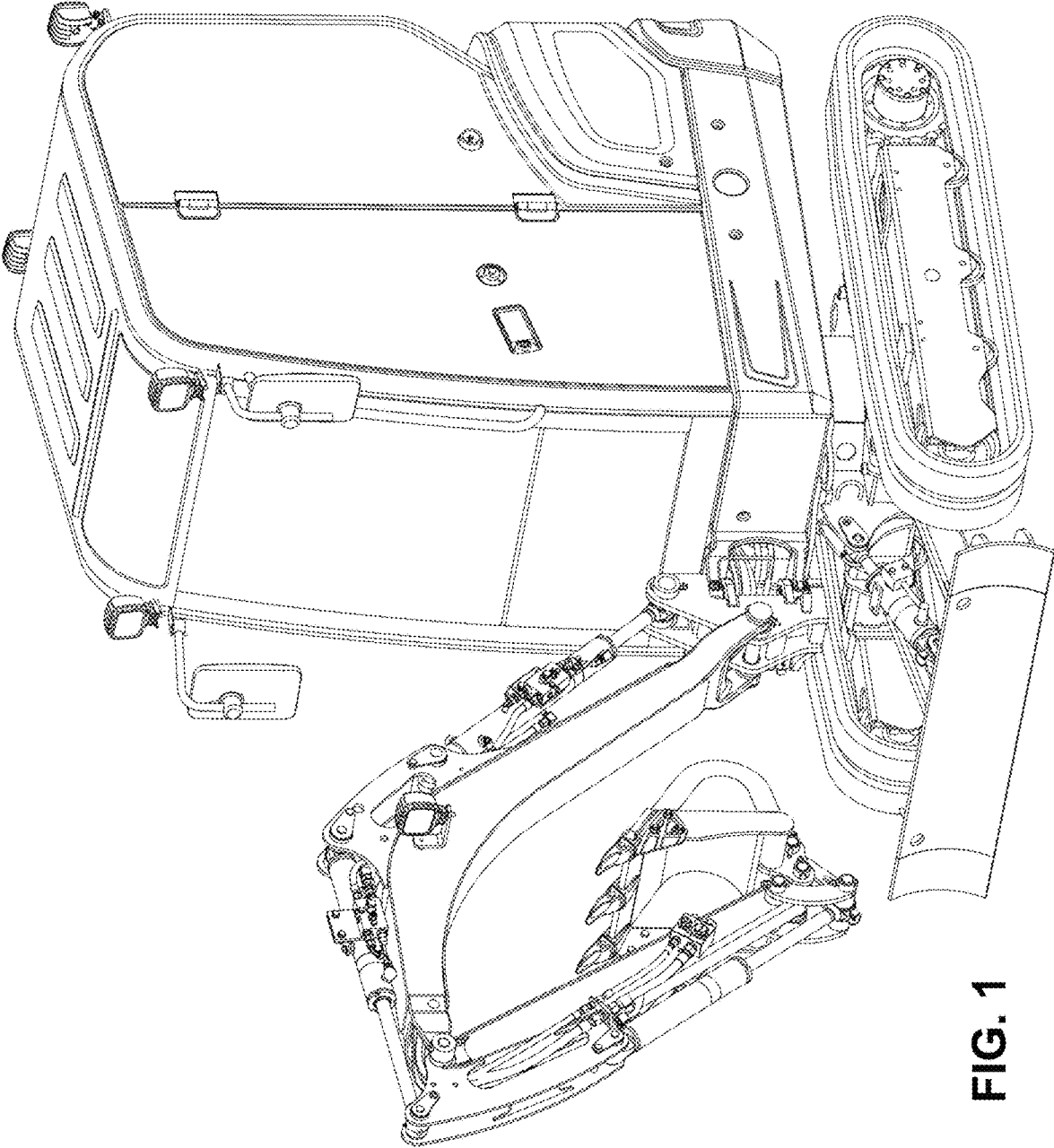


FIG. 1

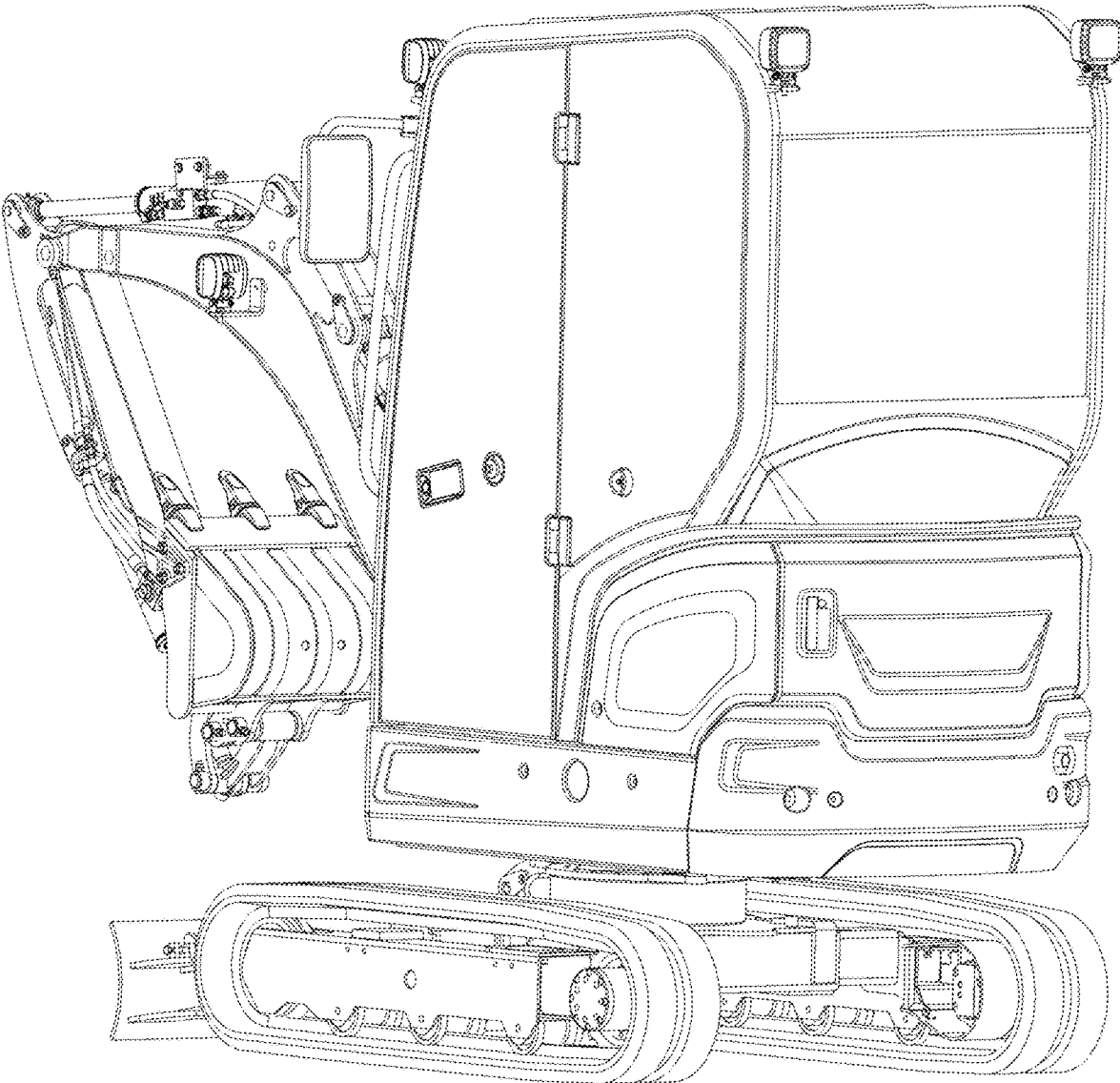


FIG. 2

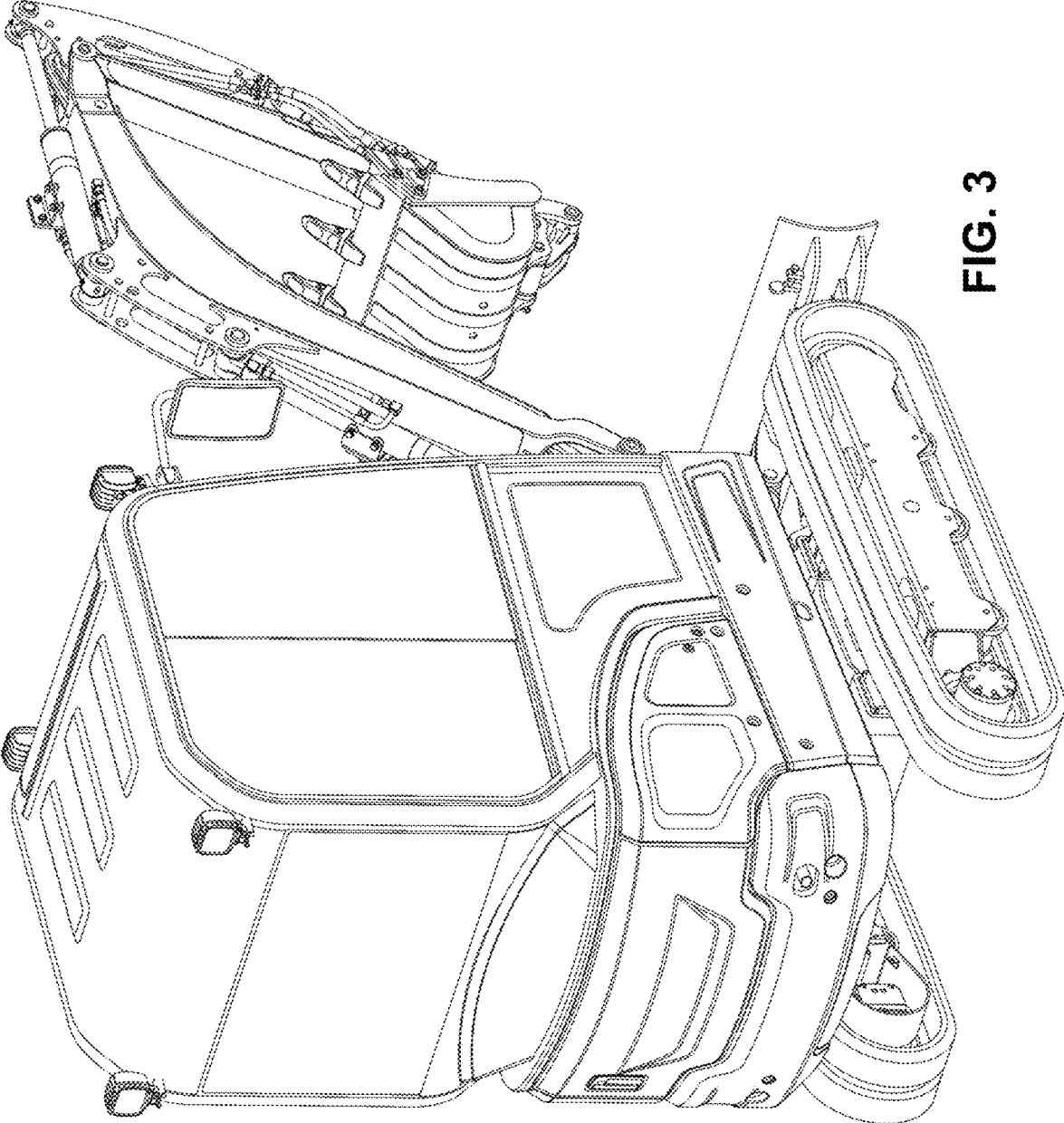


FIG. 3

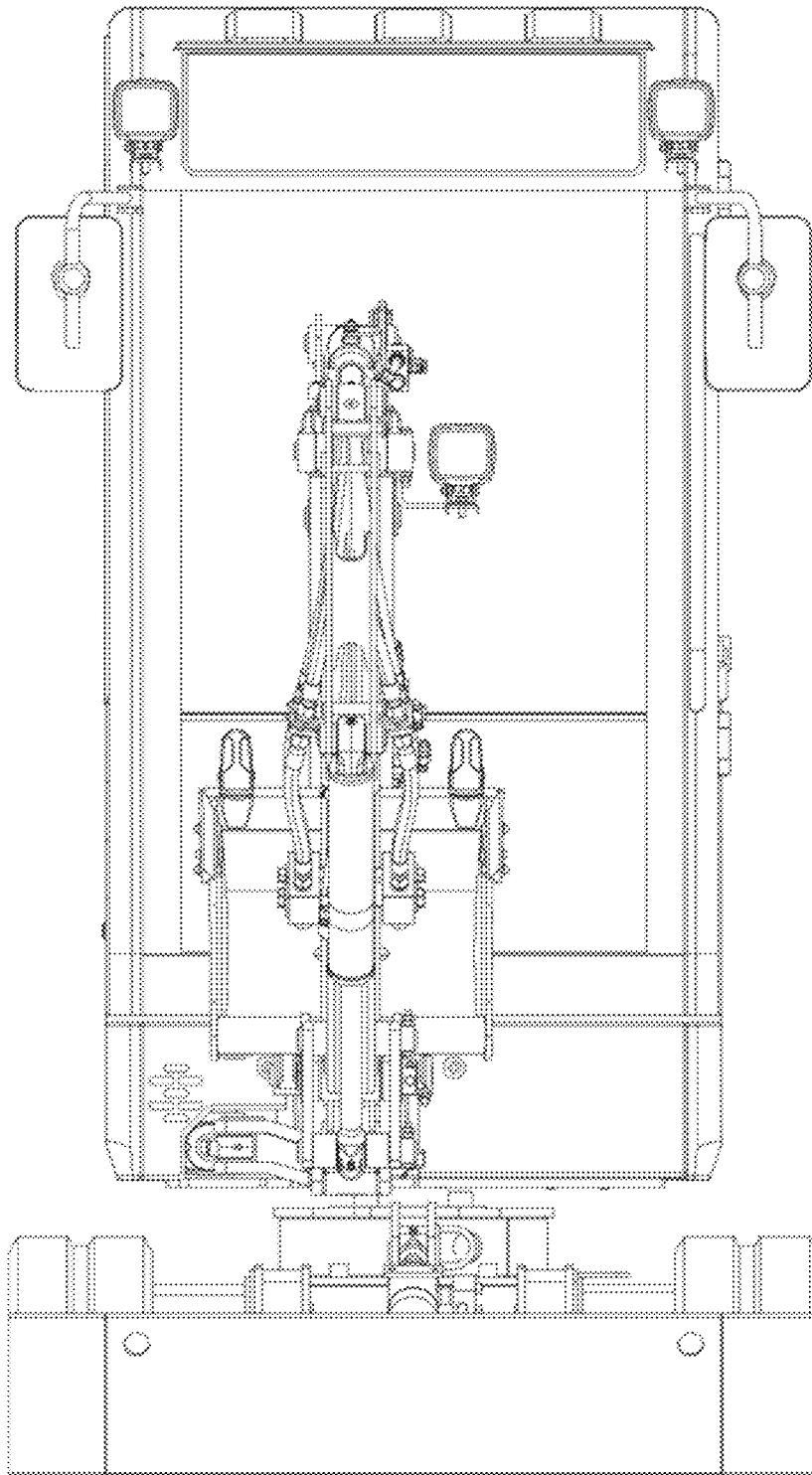


FIG. 4

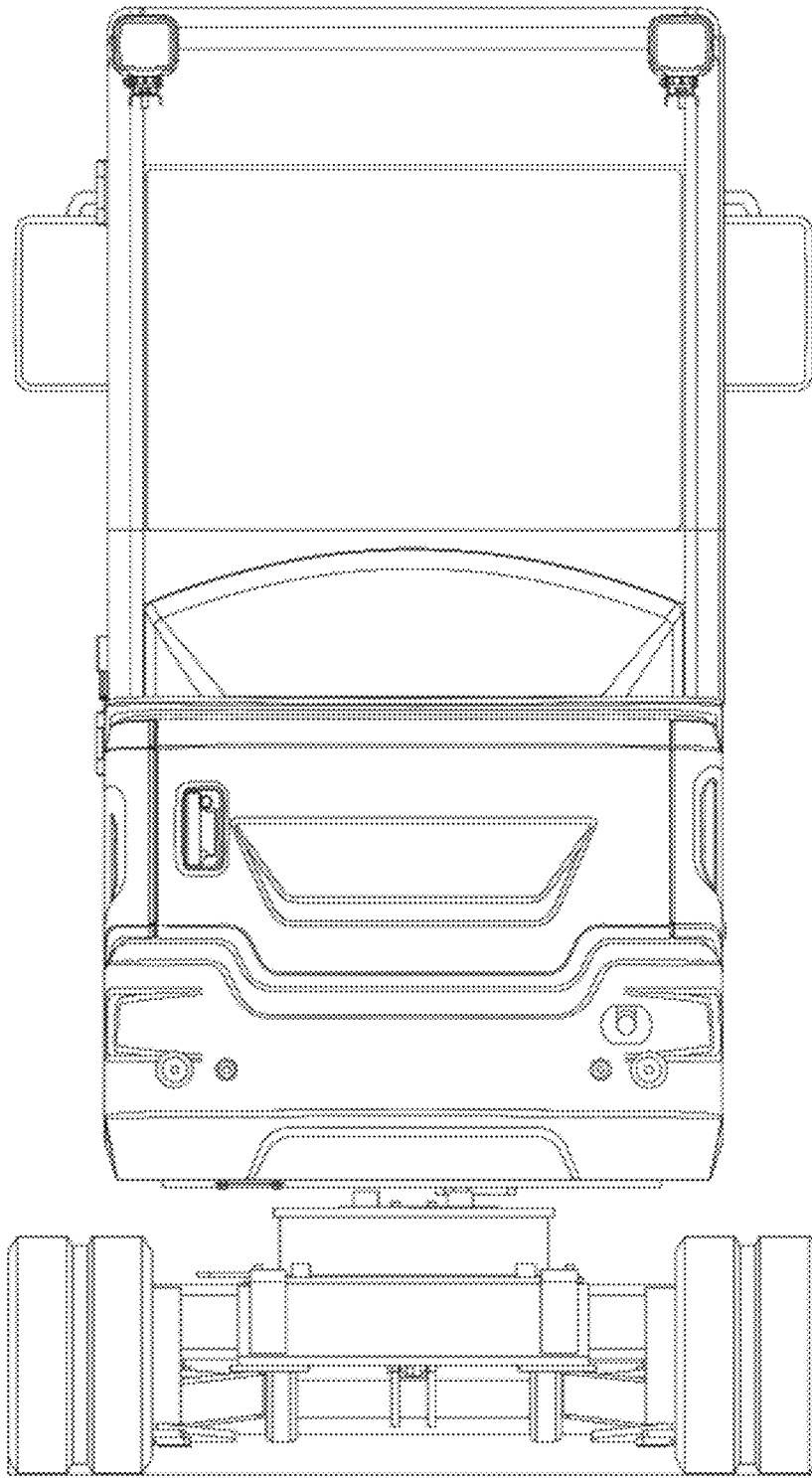


FIG. 5

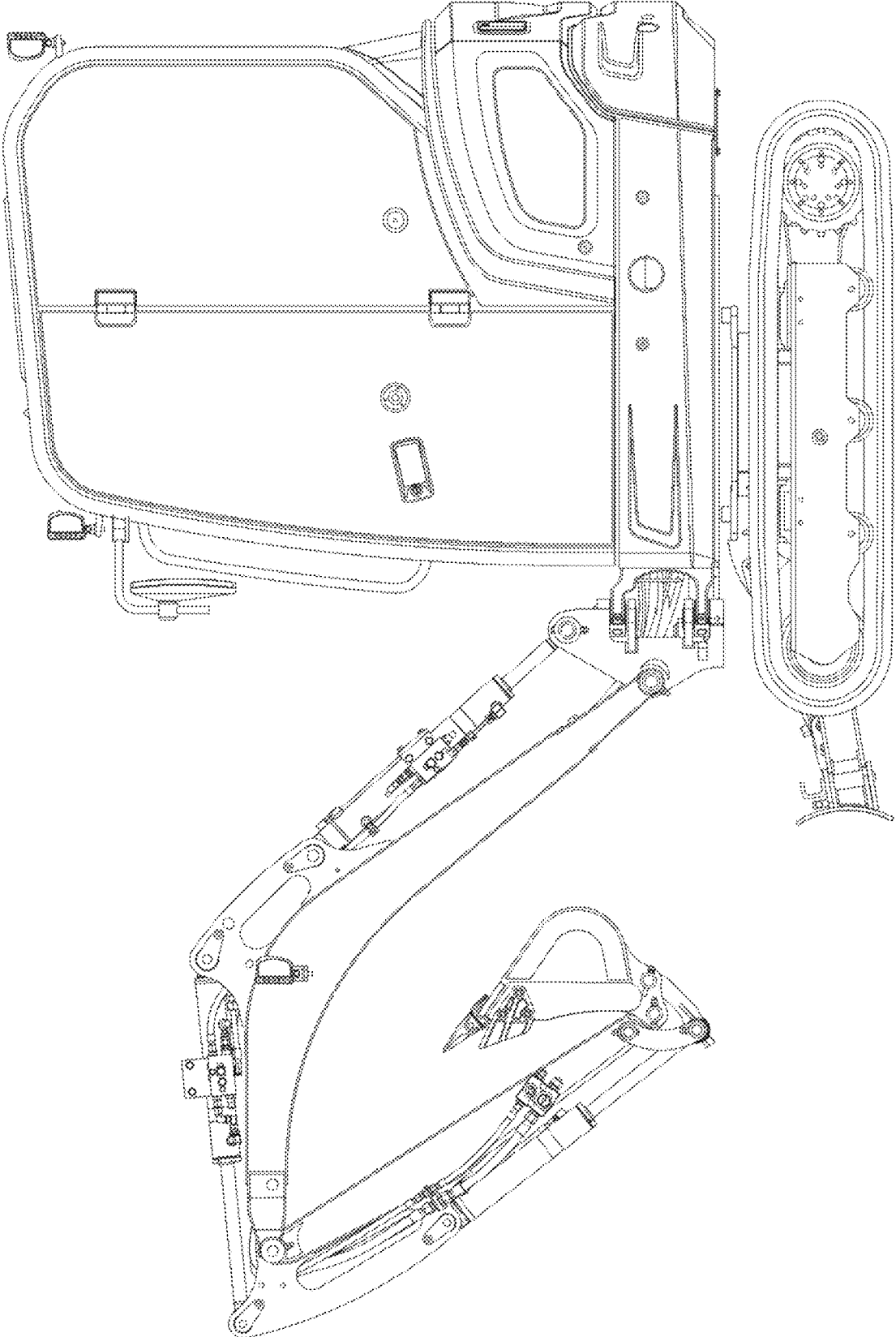


FIG. 6

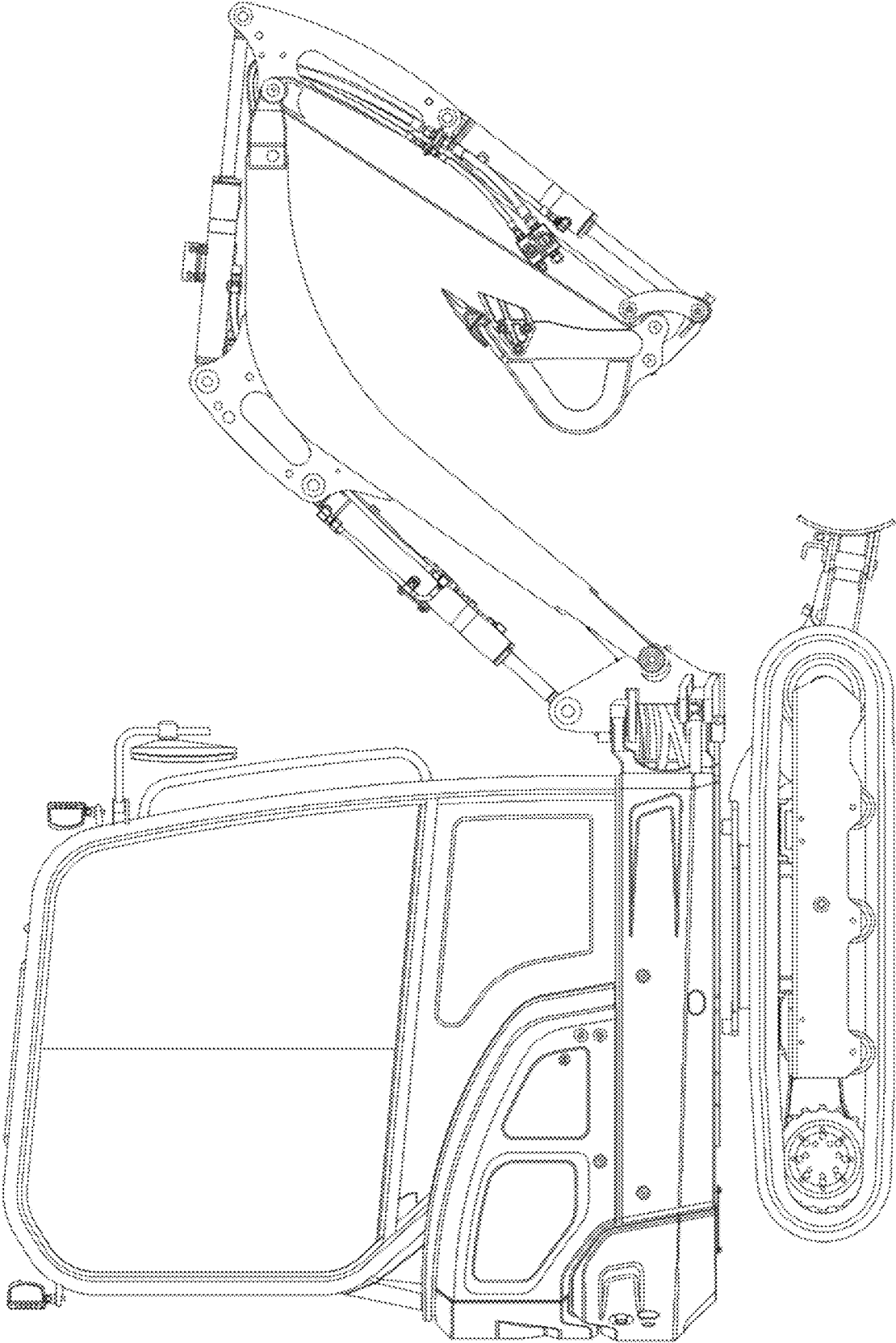


FIG. 7

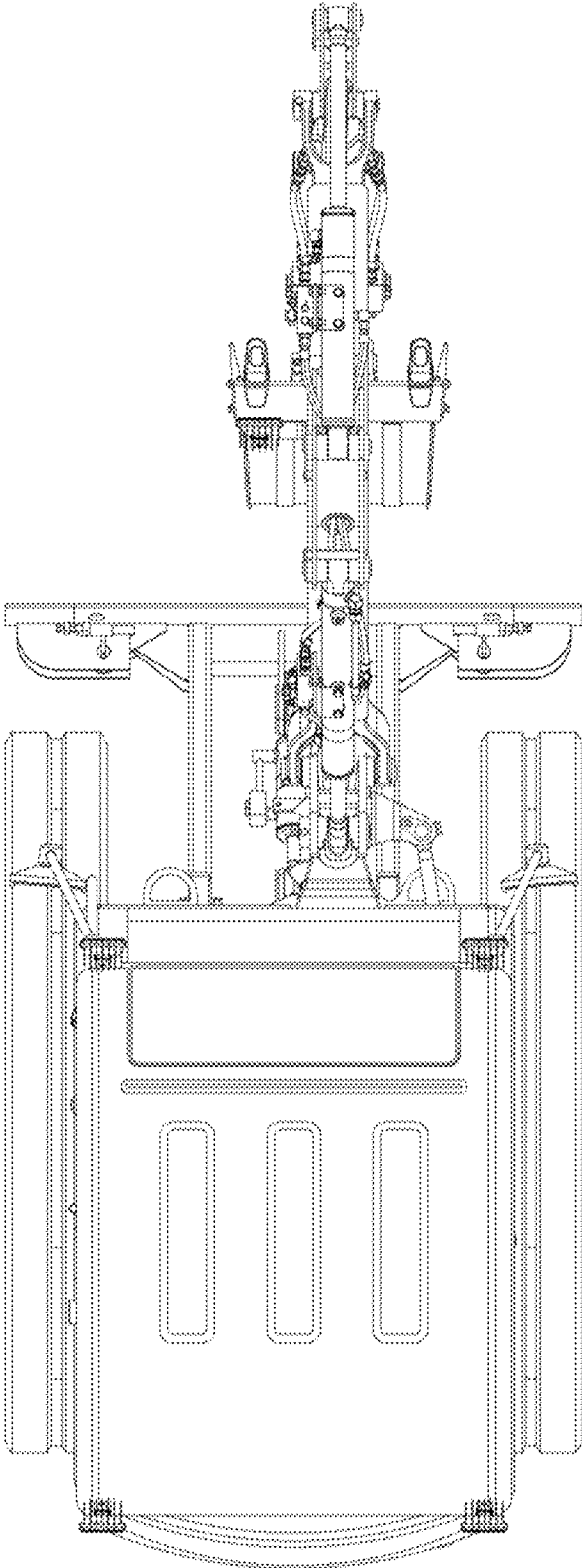


FIG. 8