



US00D968129S

(12) **United States Design Patent**
Wendling

(10) **Patent No.:** **US D968,129 S**

(45) **Date of Patent:** **** *Nov. 1, 2022**

- (54) **CORNER DEVICE FOR A FLOOR COVERING**
- (71) Applicant: **Just Fur Love LLC**, Boston, MA (US)
- (72) Inventor: **Allan Wendling**, New Lothrop, MI (US)
- (73) Assignee: **Just Fur Love LLC**, Boston, MA (US)

1,526,261 A	2/1925	Wachs	
1,508,127 A	8/1926	Fleming	
D330,988 S	11/1992	Robbins	
D400,780 S	11/1998	Wurdack	
D435,186 S *	12/2000	Fulkerson	A47G 27/0225
			D6/583
D569,064 S *	5/2008	Hinder	D32/25
D575,332 S *	8/2008	Parker	D19/9
D630,877 S	1/2011	Howie	
D674,641 S	1/2013	Daniel	
D694,043 S *	11/2013	Heyman	A47G 27/0431
			D6/592

- (*) Notice: This patent is subject to a terminal disclaimer.
- (**) Term: **15 Years**

(Continued)

- (21) Appl. No.: **29/713,723**
- (22) Filed: **Nov. 18, 2019**
- (51) **LOC (13) Cl.** **06-11**
- (52) **U.S. Cl.**
- USPC **D6/588**; D6/592
- (58) **Field of Classification Search**
- USPC D6/331, 582, 583, 585-589, 591, 592; D8/394; D12/203, 608; D19/9, 10, 37, D19/113; D21/686, 780; D23/261, 310, D23/361; D25/156; D30/161; D32/57
- CPC A47G 27/02; A47G 27/0206; A47G 27/0212; A47G 27/0218; A47G 27/0225; A47G 27/0231; A47G 27/0237; A47G 27/0275; A47G 27/0293; A47G 9/062; A47K 3/002; A63B 6/00; A63B 21/4037; E04F 2201/095; E04F 19/10; G09B 19/0015; B60B 39/00; B60B 39/12; A47L 23/26; A47L 23/266
- See application file for complete search history.

OTHER PUBLICATIONS

Mr. Ton Rug Gripper, Anti Curling Non Slip Rug Pad with Renewable Gripper Tape for Indoor& Outdoor Carpet Mat, Door Mat, Ideal for All Flat Floor Type, 8pcs, Large Size, Amazon. May 15, 2018, <https://www.amazon.com/Mr-Ton-gripper-curling-renewable-outdoor/dp/B07D39P457>.

(Continued)

Primary Examiner — Kevin K Rudzinski
Assistant Examiner — Clare Ann Gannon
(74) *Attorney, Agent, or Firm* — Wolf, Greenfield & Sacks, P.C.

(57) **CLAIM**

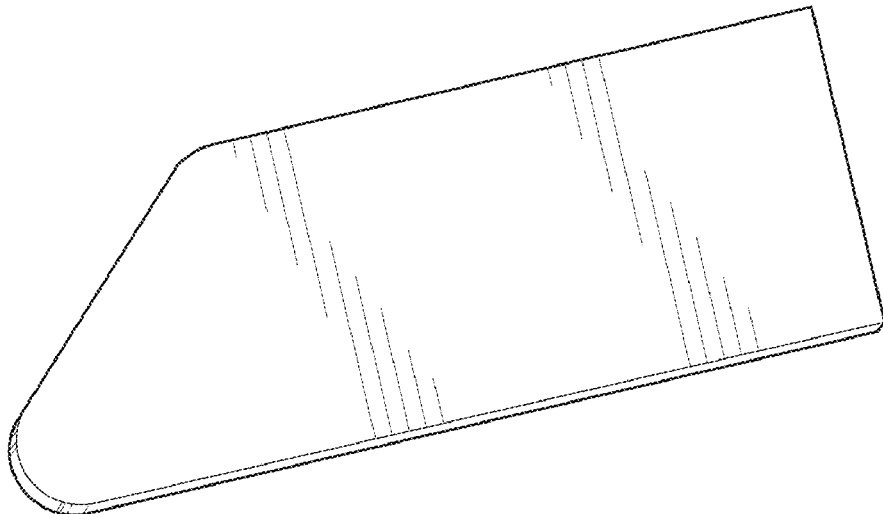
The ornamental design for a corner device for a floor covering, as shown and described.

DESCRIPTION

FIG. 1 is a perspective view of a corner device for a floor covering showing my new design; FIG. 2 is a top plan view thereof; FIG. 3 is a bottom plan view thereof; FIG. 4 is a right elevation view thereof; FIG. 5 is a left elevation view thereof; FIG. 6 is a rear elevation view thereof; and, FIG. 7 is a front elevation view thereof.

1 Claim, 3 Drawing Sheets

- (56) **References Cited**
- U.S. PATENT DOCUMENTS
- 882,859 A 3/1908 Ammerman
- 922,703 A 5/1909 Knapp
- 1,430,981 A 10/1922 Goldthwaite
- 1,509,047 A 9/1924 Lindhorst



(56)

References Cited

U.S. PATENT DOCUMENTS

D706,551 S 6/2014 Lawrence et al.
 D748,202 S * 1/2016 Kennedy D21/489
 9,238,180 B2 * 1/2016 Kennedy A63H 33/10
 10,357,122 B2 7/2019 Wendling
 10,357,123 B2 * 7/2019 Wendling A47G 27/0431
 10,368,675 B2 8/2019 Wendling
 D858,629 S * 9/2019 Cepress D19/10
 D864,069 S 10/2019 Lagun et al.
 D864,609 S * 10/2019 Lagun D6/582
 D873,050 S * 1/2020 Wendling D6/592
 D917,204 S * 4/2021 Wendling D6/587
 D932,799 S * 10/2021 Wendling D6/582
 D953,068 S * 5/2022 Wendling D6/592
 D953,427 S * 5/2022 Huang D20/11
 D955,143 S * 6/2022 Bernstein D6/592
 2002/0074692 A1 * 6/2002 Wang A47G 27/0225
 264/293
 2008/0052827 A1 3/2008 DeIntinis
 2011/0059830 A1 3/2011 Reese
 2012/0073081 A1 3/2012 Crenshaw
 2012/0284917 A1 11/2012 Nirmel

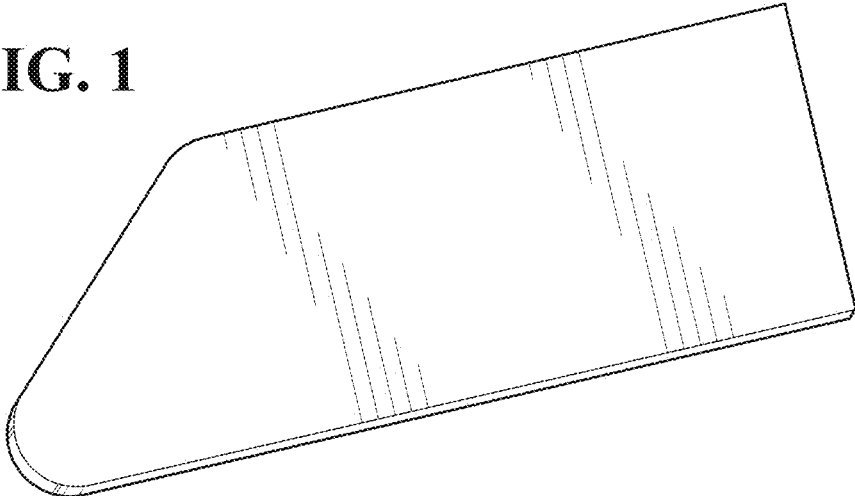
2012/0285613 A1 11/2012 Bongiovanni et al.
 2015/0013065 A1 1/2015 Ketcham
 2016/0135633 A1 5/2016 Wendling
 2018/0049574 A1 2/2018 Wendling

OTHER PUBLICATIONS

Rug Grippers by Bowerbird 8 pcs Anti Curling and Non Slip Rug Gripper Flatten Rug Corners Stop Sliding Ideal Alternative To Rug Pad Carpet Tape and Rug Tape for Hard Floors B078j1279D PcJ548JA, Let's Go Shopping. Dec. 20, 2017, http://www.midwestaginsurance.net/rug-pads-ff-18_20/rug-grippers-by-bowerbird-8-pcs-anti-curling-and-non-slip-rug-gripper-flatten-rug-corners-stop-sliding-ideal-alternative-to-rug-pad-carpet-tape-and-rug-tape-for-hard-floors-b078j1279d-pcj548ja-gg-4664.html.
 Rug Grippers X-Protector—New 8 pcs Anti Curling Rug Gripper—Rug Pad. Keeps Your Rug in Place & Corners Flat. Carpet Gripper Renewable Gripper Tape—Rug Tape. Original Brand—Avoid the Copies!. Amazon. Sep. 1, 2017, <https://www.amazon.com/x-protector-grippers-anti-curling-gripper/dp/B07C2PV29B>.

* cited by examiner

FIG. 1



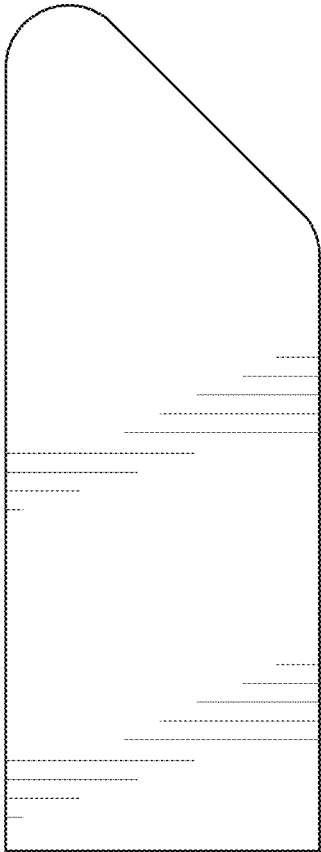


FIG. 2

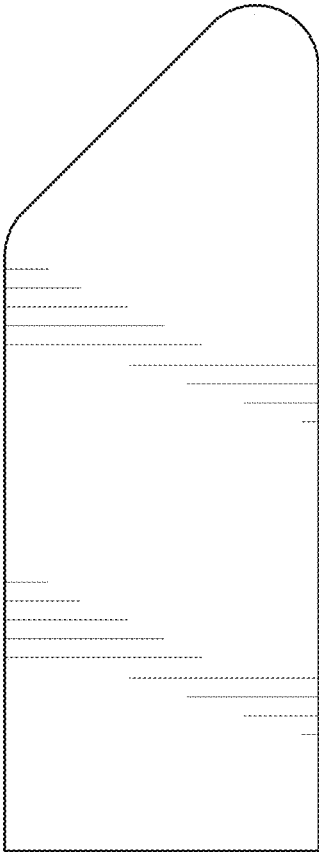


FIG. 3



FIG. 4



FIG. 5

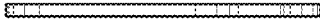


FIG. 6

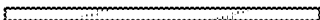


FIG. 7