



US00D717344S

(12) **United States Design Patent**
Ohser et al.

(10) **Patent No.:** **US D717,344 S**

(45) **Date of Patent:** **** Nov. 11, 2014**

(54) **COMPRESSOR**

(71) Applicants: **Klaus Ohser**, Wiedemar OT Kyhna (DE); **Bertram Wipper**, Leipzig (DE)

(72) Inventors: **Klaus Ohser**, Wiedemar OT Kyhna (DE); **Bertram Wipper**, Leipzig (DE)

(73) Assignee: **Bitzer Kuehlmaschinenbau GmbH**, Sindelfingen (DE)

(**) Term: **14 Years**

(21) Appl. No.: **29/458,423**

(22) Filed: **Jun. 19, 2013**

(30) **Foreign Application Priority Data**

Dec. 20, 2012 (EM) 002156752

(51) **LOC (10) Cl.** **11-01**

(52) **U.S. Cl.**
USPC **D15/9**

(58) **Field of Classification Search**
USPC D15/7-9; D23/231, 232; 417/410.1, 417/359, 415-416, 234, 321, 265, 405
See application file for complete search history.

(56) **References Cited**

U.S. PATENT DOCUMENTS

D394,068	S	*	5/1998	Pollrich et al.	D15/9
D466,522	S	*	12/2002	Huang	D15/7
D467,254	S	*	12/2002	Ullrich	D15/9
D479,246	S	*	9/2003	Leu	D15/7
D479,247	S	*	9/2003	Ullrich	D15/9
D512,442	S	*	12/2005	Moser, III	D15/9
D518,068	S	*	3/2006	Rodopoulos	D15/7
D531,194	S		10/2006	Hertenstein et al.		
D538,826	S		3/2007	Kienzle		
D558,232	S	*	12/2007	Wang et al.	D15/7
D595,748	S		7/2009	Kratschmer		
D613,635	S	*	4/2010	Chu	D15/9
D619,624	S	*	7/2010	Iwagoshi et al.	D15/7
D630,229	S	*	1/2011	Dreifert	D15/7
D684,197	S		6/2013	Kienzle et al.		

OTHER PUBLICATIONS

U.S. Appl. No. 29/434,711, filed Oct. 16, 2012, Hermann.
U.S. Appl. No. 29/455,498, filed May 21, 2013, Ohser et al.
U.S. Appl. No. 29/446,895, filed Feb. 28, 2013, Kienzle et al.

* cited by examiner

Primary Examiner — Ralf Seifert

(74) *Attorney, Agent, or Firm* — Reinhart Boerner Van Deuren P.C.

(57) **CLAIM**

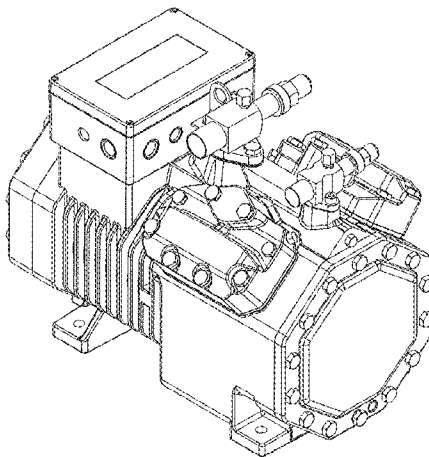
We claim the ornamental design for a compressor, as shown and described.

DESCRIPTION

The design application contains at least one drawing executed in color. Copies of this design application publication with color drawings will be provided by the Office upon request and payment of the necessary fee.

FIG. 1 is a front and left hand side perspective view of a compressor showing our new design;
FIG. 2 is a left side view thereof;
FIG. 3 is a right side view thereof;
FIG. 4 is a rear view thereof;
FIG. 5 is a front view thereof;
FIG. 6 is a top view thereof;
FIG. 7 is a bottom view thereof.
FIG. 8 is a front and left hand side perspective view of a compressor showing a second embodiment of our new design:
FIG. 9 is a left side view of FIG. 8;
FIG. 10 is a right side view FIG. 8;
FIG. 11 is a rear view FIG. 8;
FIG. 12 is a front view FIG. 8;
FIG. 13 is a top view FIG. 8; and,
FIG. 14 is a bottom view FIG. 8.

1 Claim, 14 Drawing Sheets
(7 of 14 Drawing Sheet(s) Filed in Color)



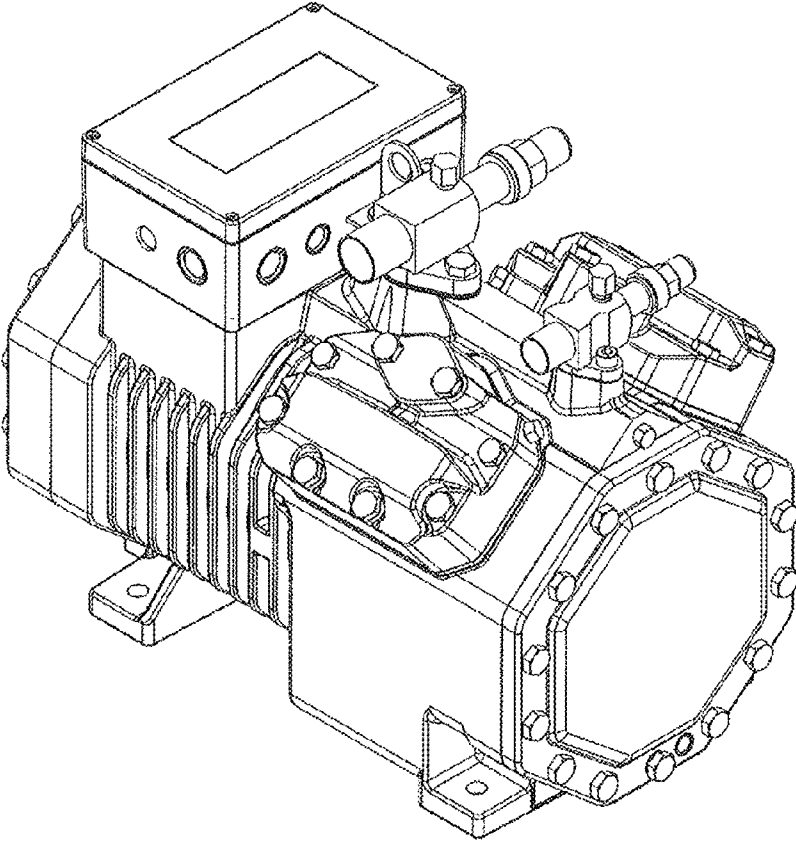


FIG. 1

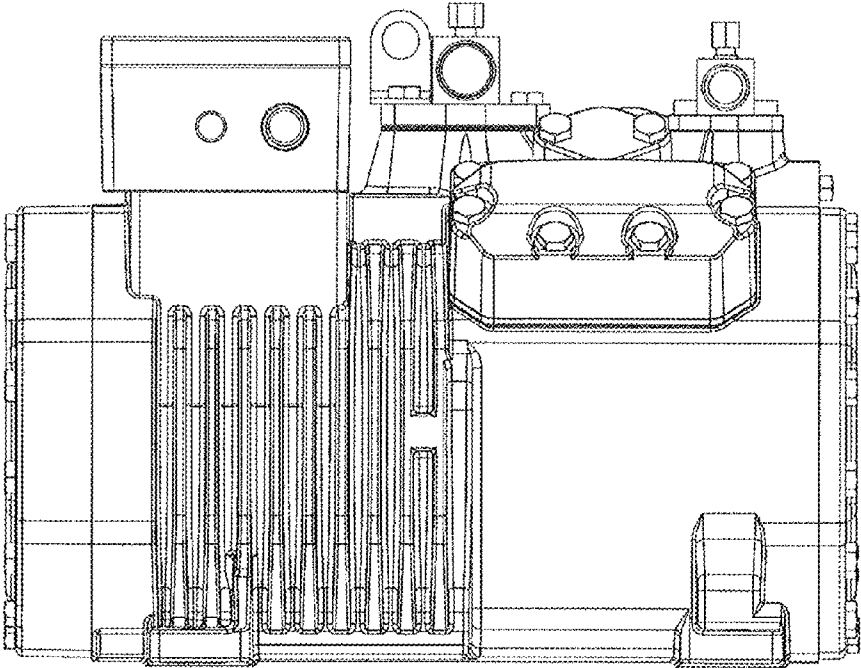


FIG. 2

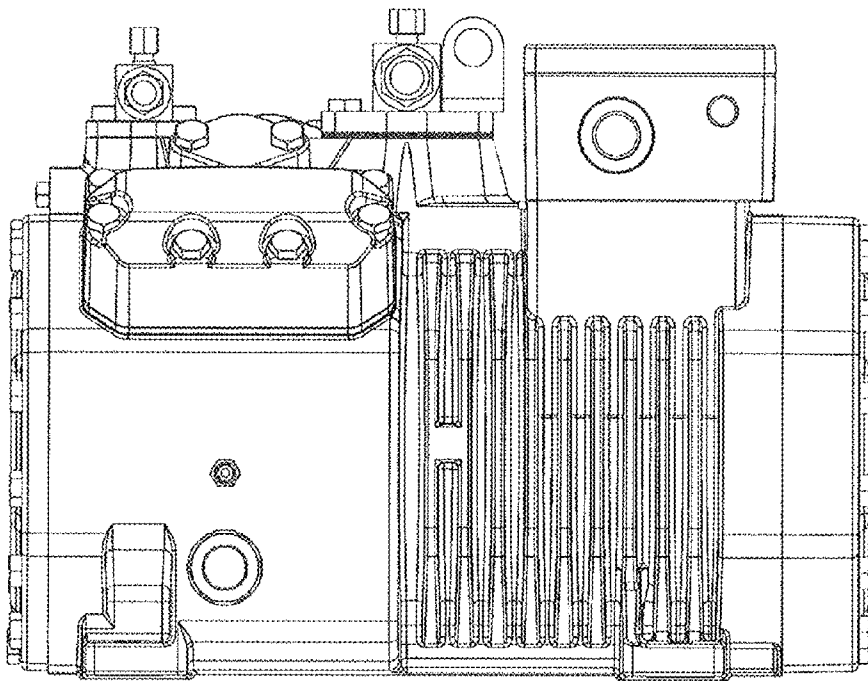


FIG. 3

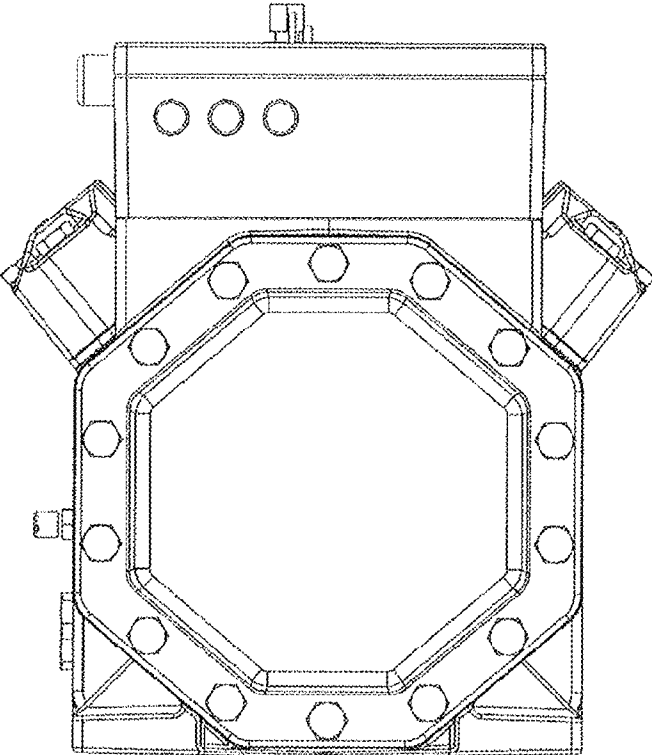


FIG. 4

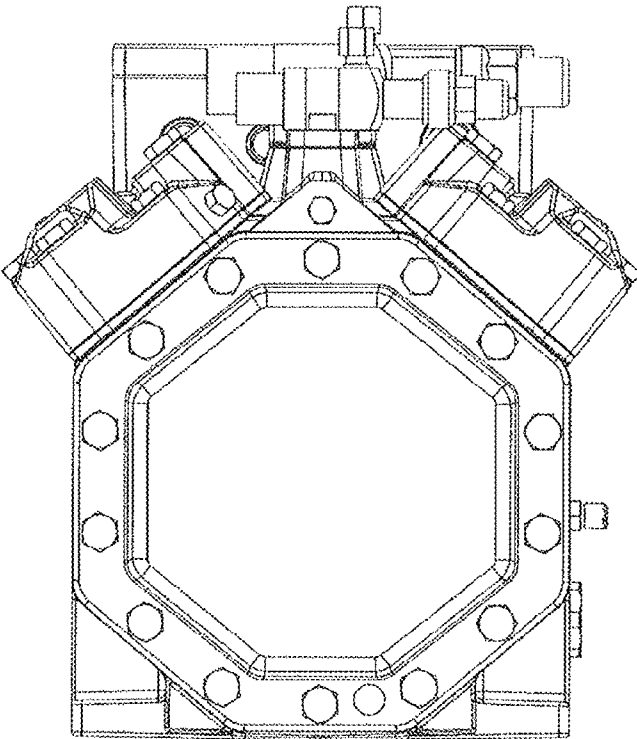


FIG. 5

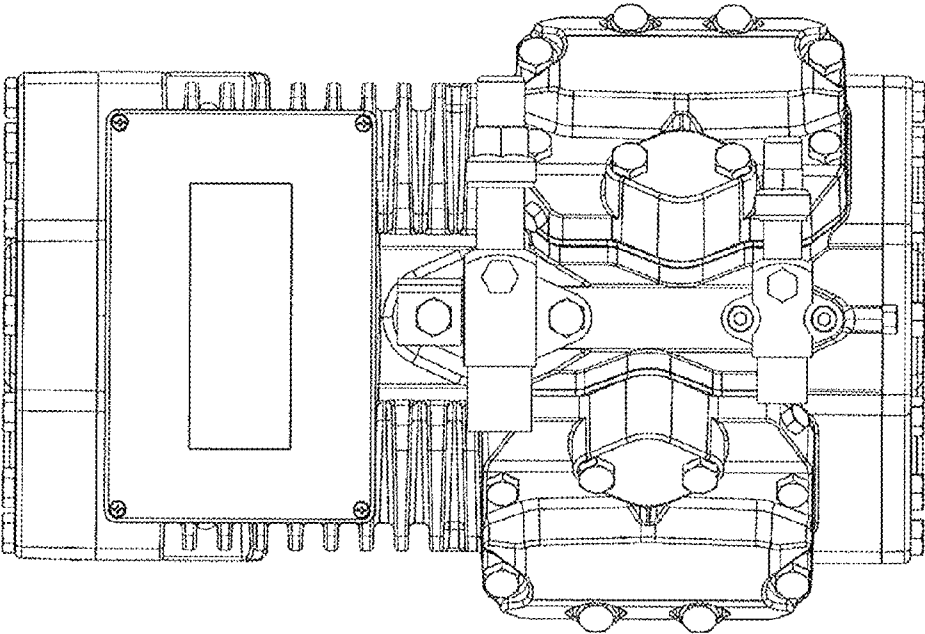


FIG. 6

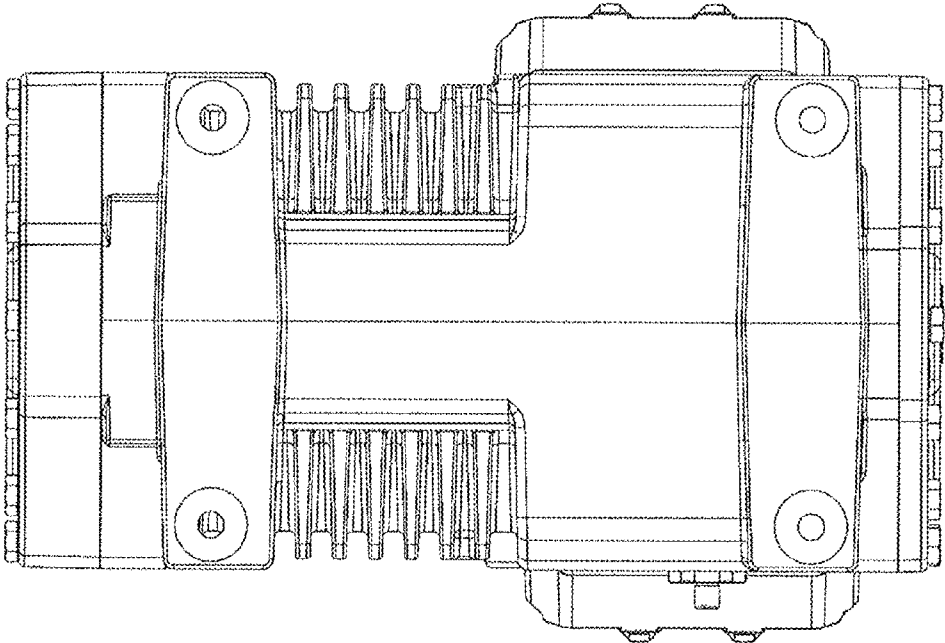


FIG. 7

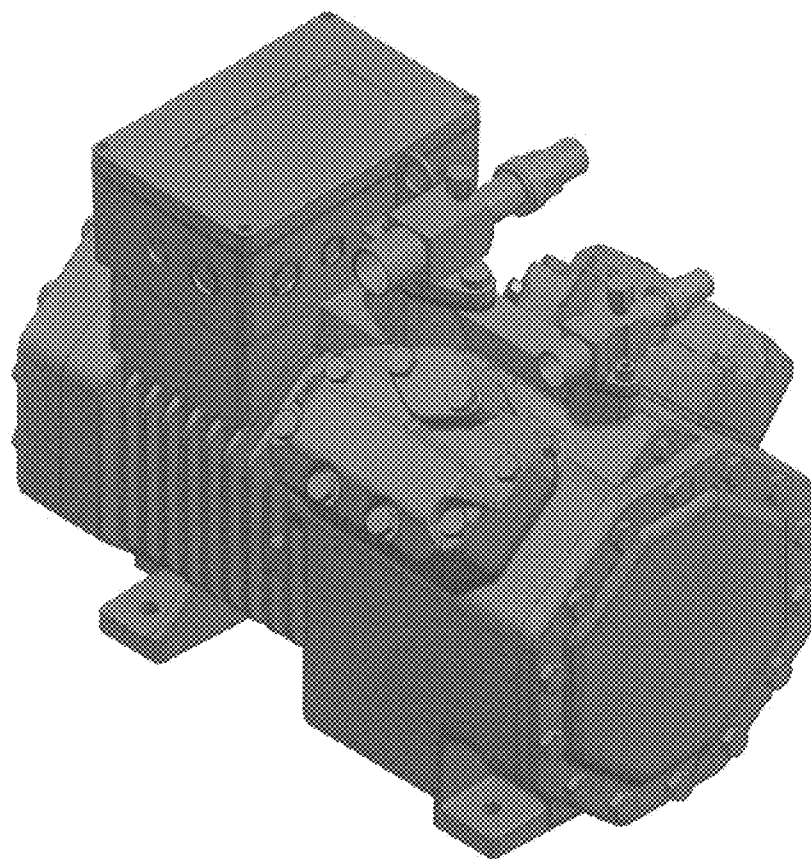


FIG. 8

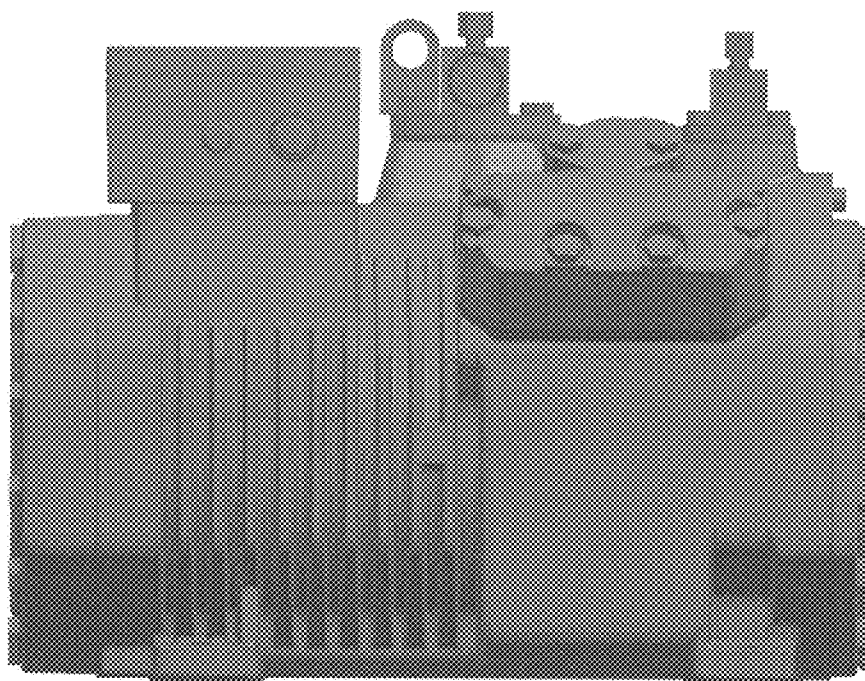


FIG. 9

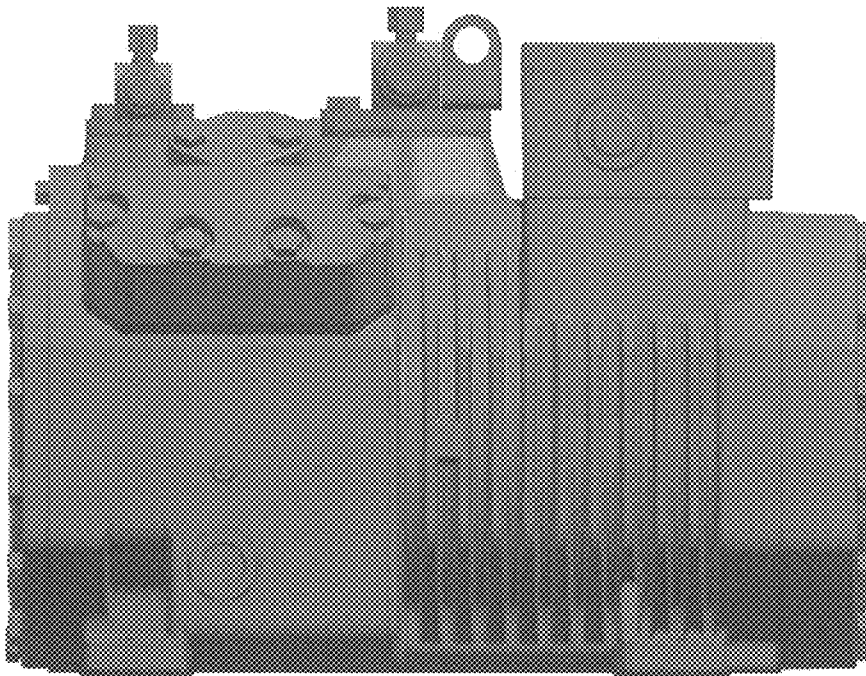


FIG. 10

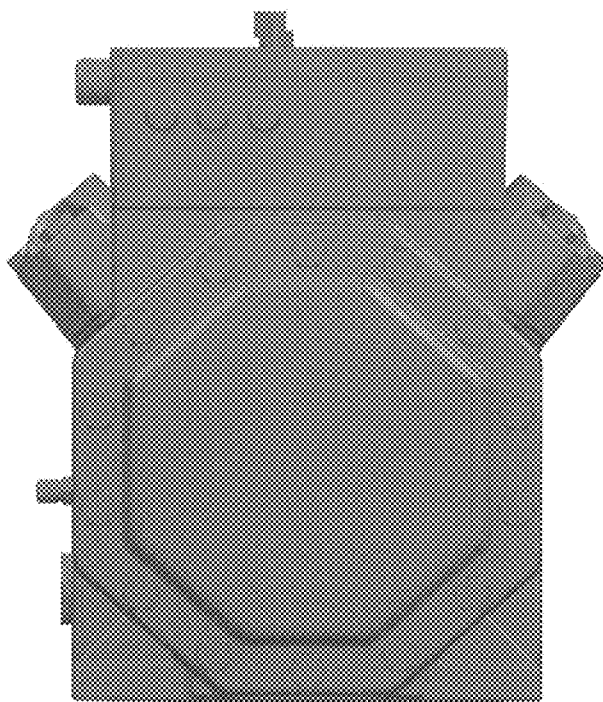


FIG. 11

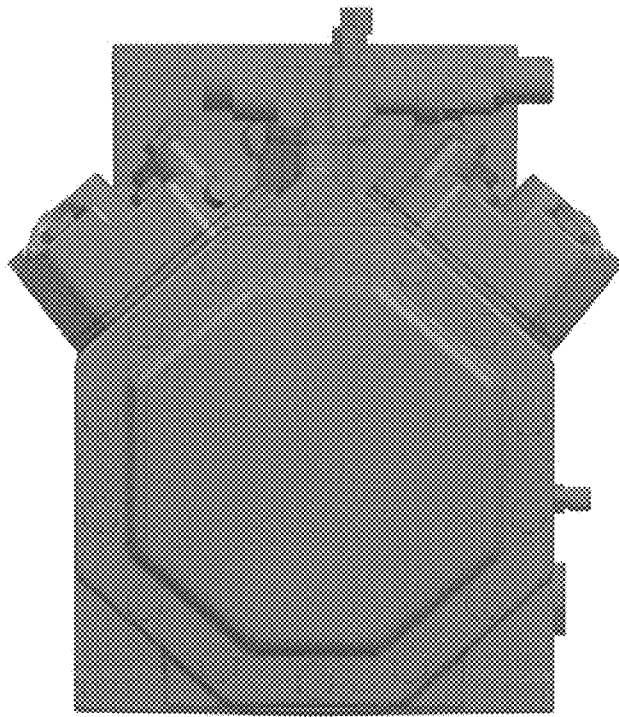


FIG. 12

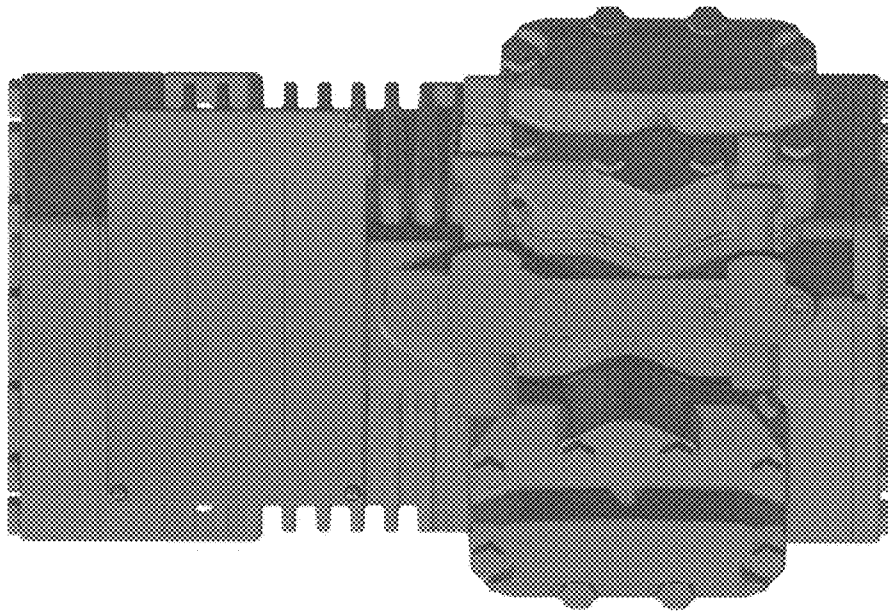


FIG. 13

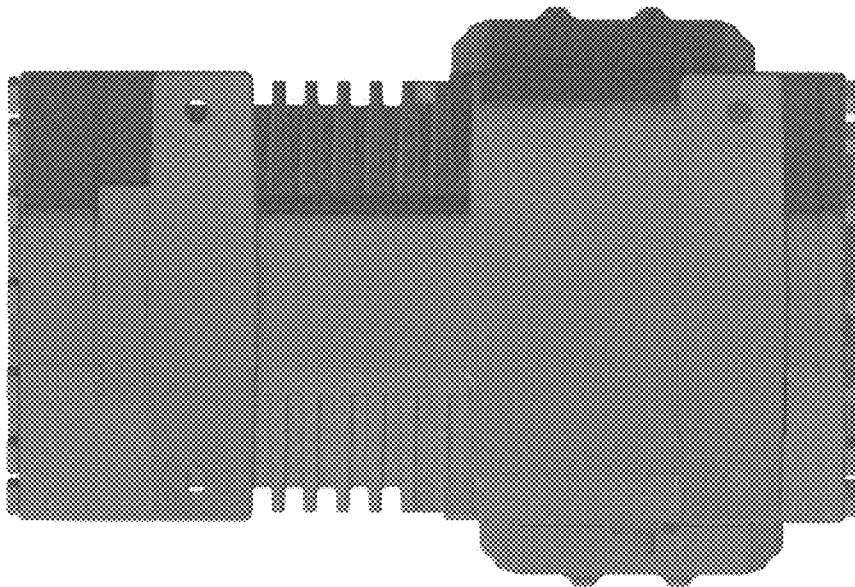


FIG. 14