



US00D727468S

(12) **United States Design Patent**  
**Childress**

(10) **Patent No.:** **US D727,468 S**

(45) **Date of Patent:** **\*\* Apr. 21, 2015**

(54) **RIVER DRIVE PIPE PLUG APPARATUS**

(71) Applicant: **Charles Randall Childress**, Stilwell, KS  
(US)

(72) Inventor: **Charles Randall Childress**, Stilwell, KS  
(US)

(\*\*) Term: **14 Years**

(21) Appl. No.: **29/454,601**

(22) Filed: **May 13, 2013**

**Related U.S. Application Data**

(63) Continuation-in-part of application No. 29/391,035,  
filed on May 3, 2011, now abandoned.

(51) **LOC (10) Cl.** ..... **23-01**

(52) **U.S. Cl.**  
USPC ..... **D23/260**

(58) **Field of Classification Search**  
USPC ..... D23/259, 260, 261, 262, 263, 264, 265,  
D23/266, 267, 268; 138/82.2, 89, 89.3, 90,  
138/96 R, 96 T; D15/5; 220/236  
See application file for complete search history.

(56) **References Cited**

**U.S. PATENT DOCUMENTS**

1,808,411	A *	6/1931	Hinkston	.....	220/236
2,590,860	A *	4/1952	Hoebeke	.....	138/90
3,993,103	A *	11/1976	Hammer	.....	138/89
4,493,344	A *	1/1985	Mathison et al.	.....	138/89
4,848,734	A *	7/1989	Ford	.....	254/134.4
5,035,265	A *	7/1991	Chen	.....	138/89
5,044,403	A *	9/1991	Chen	.....	138/89
D341,142	S *	11/1993	Rogers et al.	.....	D15/5
5,297,581	A *	3/1994	Godfrey	.....	138/94

6,883,546	B1 *	4/2005	Kobylinski	.....	138/89
6,966,343	B1 *	11/2005	Field	.....	138/89
8,758,399	B2 *	6/2014	Fortson et al.	.....	606/213
2006/0225801	A1 *	10/2006	Field	.....	138/89
2011/0258834	A1 *	10/2011	Allen et al.	.....	29/525
2014/0182728	A1 *	7/2014	Allen et al.	.....	138/89

**OTHER PUBLICATIONS**

River Plugs, River Pipe Plug Apparatus, riverplugs.com, Searched  
Aug. 13, 2014, <http://riverplugs.com/index.html>.\*

Attwood 7526A7 T Handle Drain Plug, Drain Plug, toolking.com,  
Searched Aug. 12, 2014, <http://www.toolking.com/attwood-7526a7-t-handle-drain-plug/>.\*

\* cited by examiner

*Primary Examiner* — Eric Goodman

*Assistant Examiner* — Steven Czyz

(74) *Attorney, Agent, or Firm* — Ash Tankha; Lipton,  
Weinbeger & Husick

(57) **CLAIM**

The new design for a river drive pipe plug apparatus, as shown  
and described.

**DESCRIPTION**

FIG. 1 is a side orthogonal view of a river drive pipe plug  
apparatus according to a fourth embodiment of the present  
design;

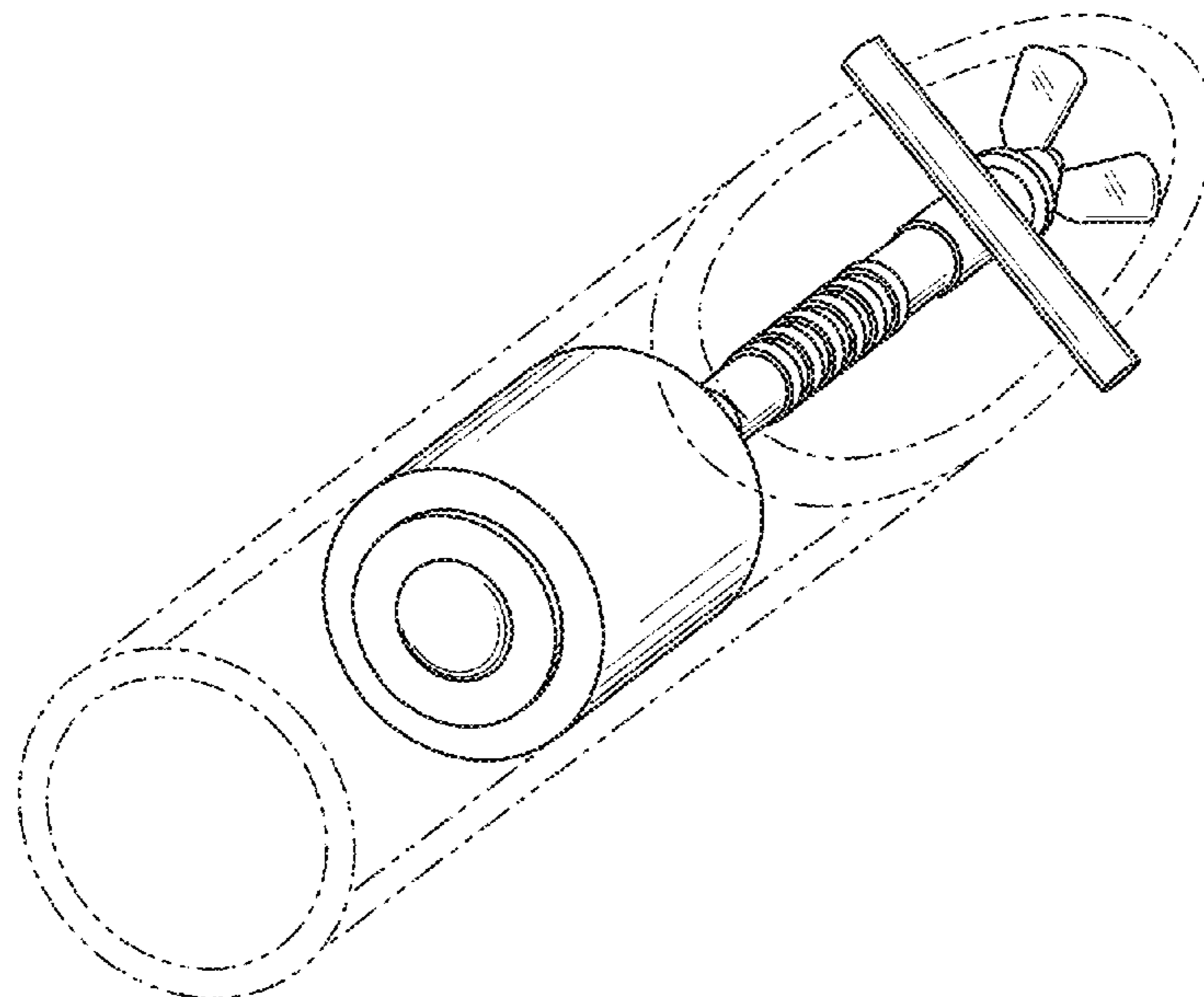
FIG. 2 is a top orthogonal view of the river drive pipe plug  
apparatus shown in FIG. 1;

FIG. 3 is a left perspective view of the river drive pipe plug  
apparatus shown in FIG. 1; and,

FIG. 4 is a right perspective view of the river drive pipe plug  
apparatus shown in FIG. 1.

The broken line showing is included for the purpose of illus-  
trating environment and forms no part of the claimed design.

**1 Claim, 3 Drawing Sheets**



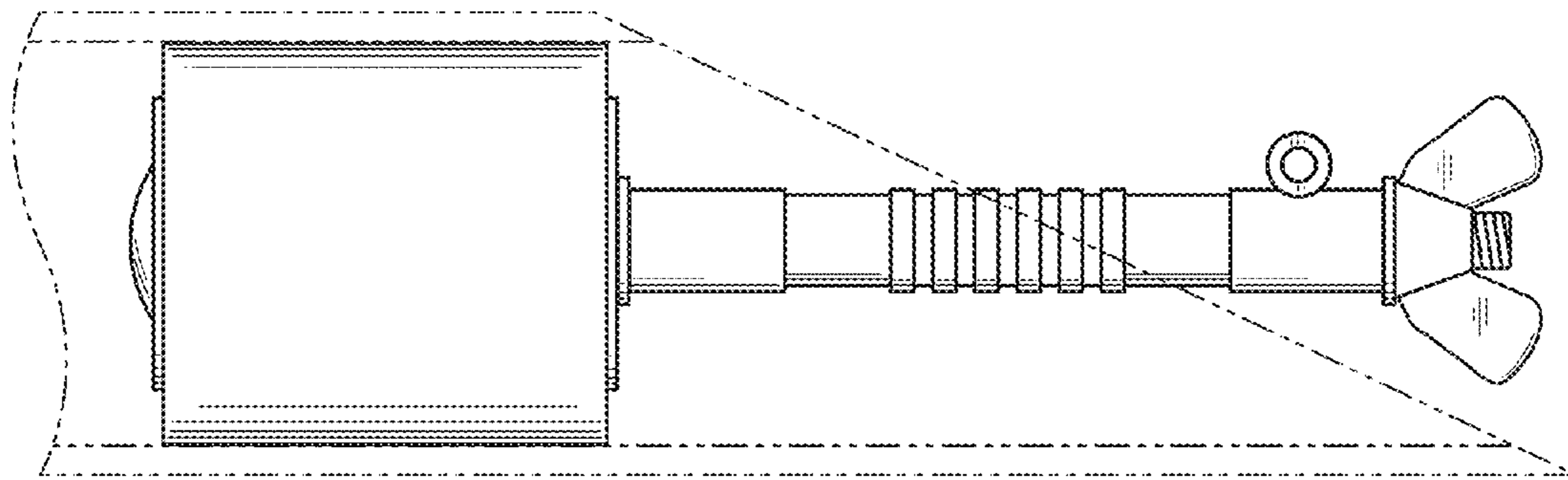


FIG. 1

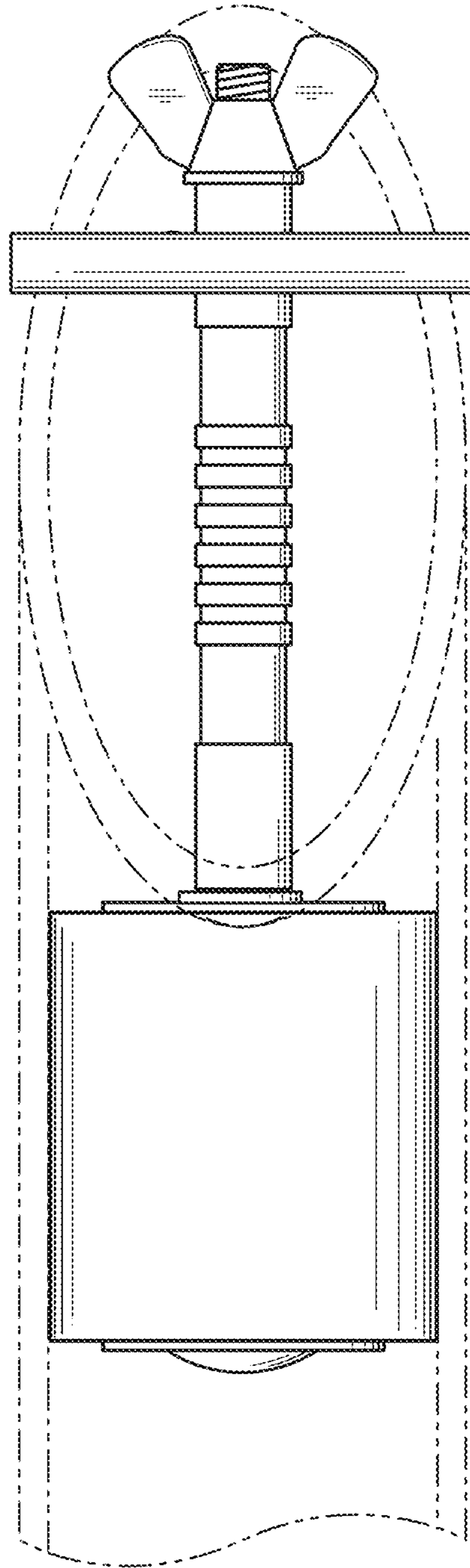


FIG. 2

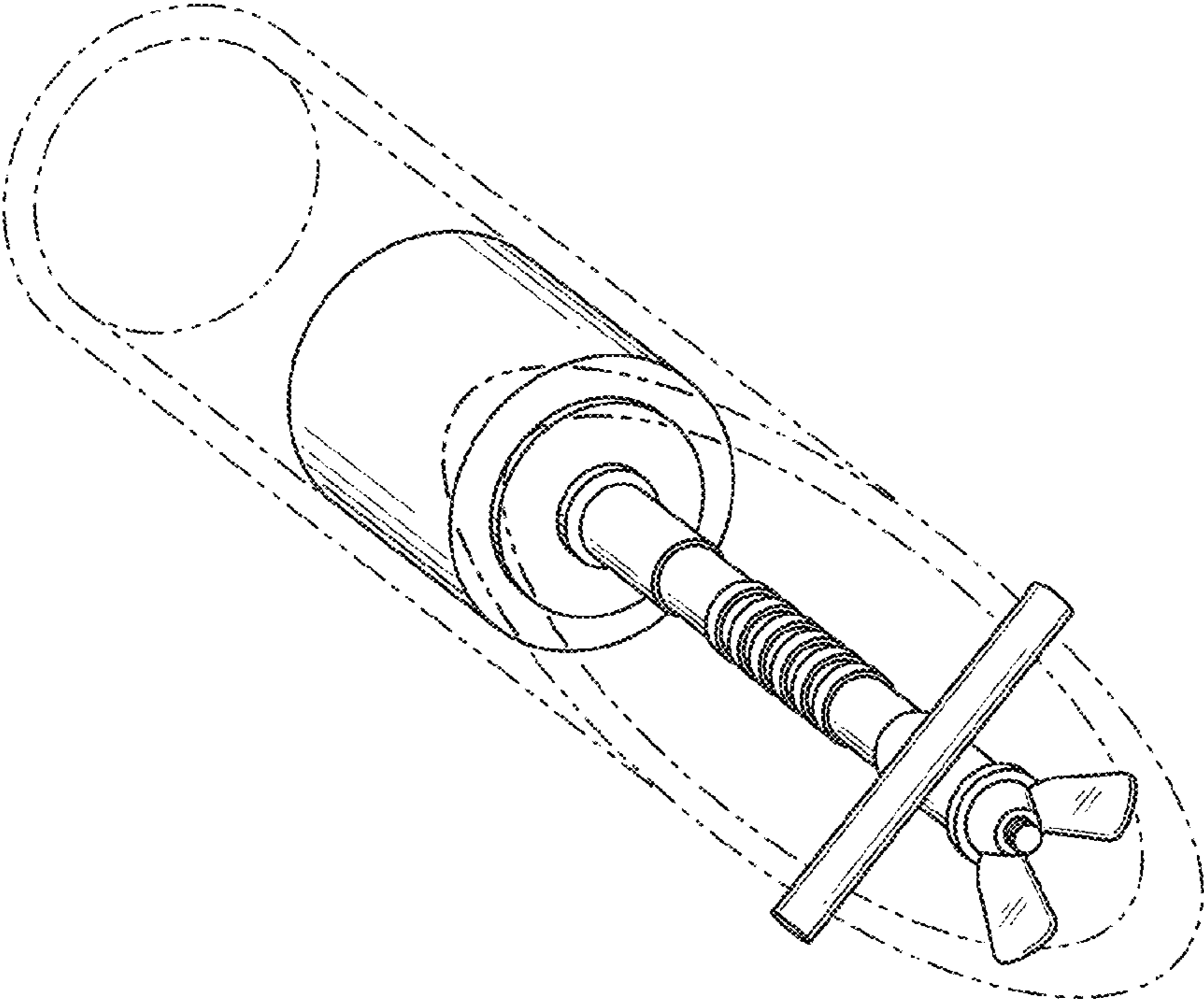


FIG. 3

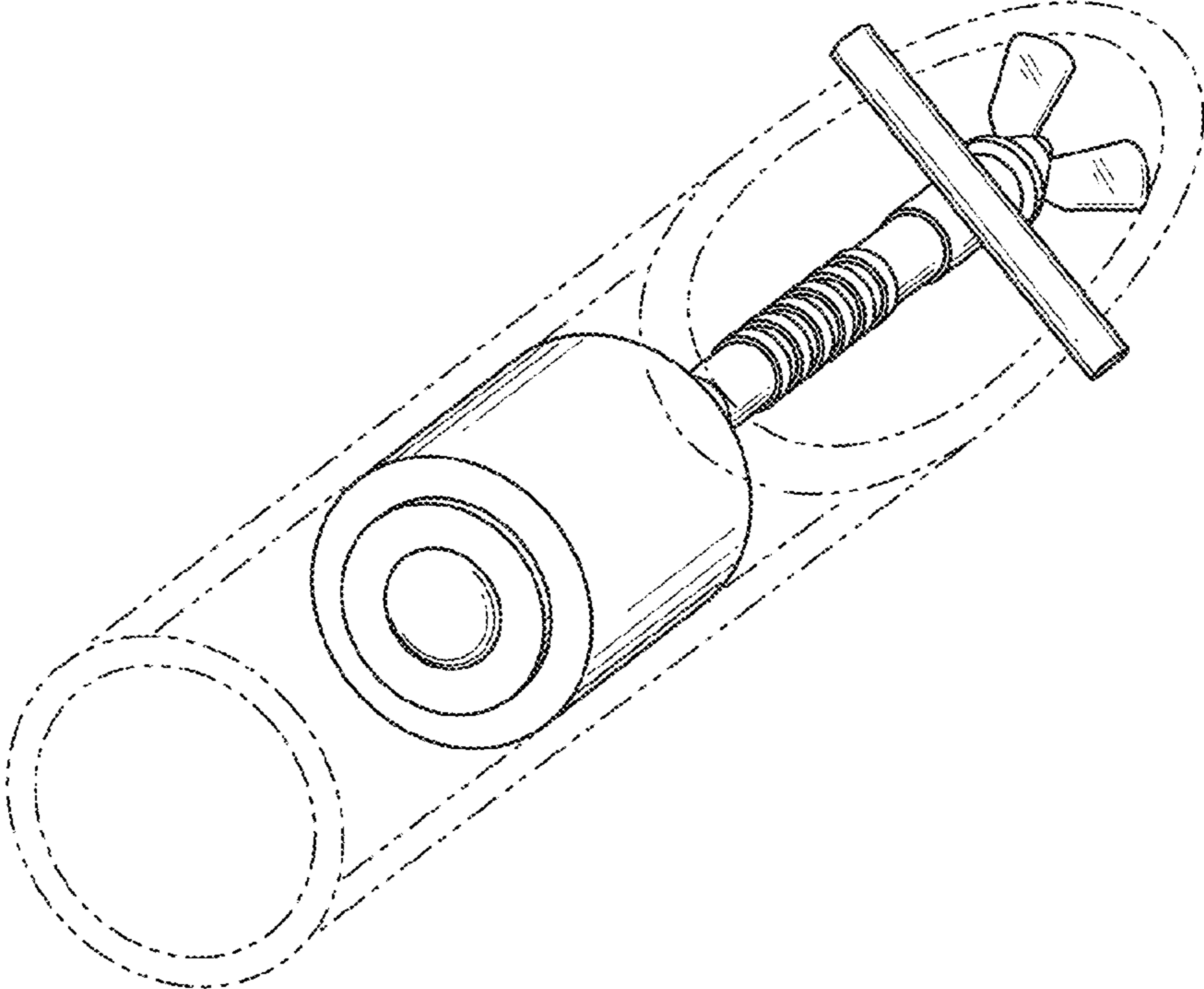


FIG. 4