



US00D358730S

United States Patent [19]

[11] Patent Number: **Des. 358,730**

Meeker et al.

[45] Date of Patent: **** May 30, 1995**

- [54] **HIGH CHAIR TRAY**
- [75] Inventors: **Paul K. Meeker; Nora J. Meeker,**
both of Hiram, Ohio
- [73] Assignee: **Lisco, Inc.,** Tampa, Fla.
- [**] Term: **14 Years**
- [21] Appl. No.: **11,740**
- [22] Filed: **Aug. 13, 1993**
- [52] U.S. Cl. **D6/511**
- [58] Field of Search **D6/406, 338, 339, 509-511;**
297/140, 150, 153; 108/135, 43, 48, 49

3,369,839 2/1968 Telarico 297/150

Primary Examiner—Janice E. Seeger

[57] CLAIM

The ornamental design of the high chair tray, as shown and described.

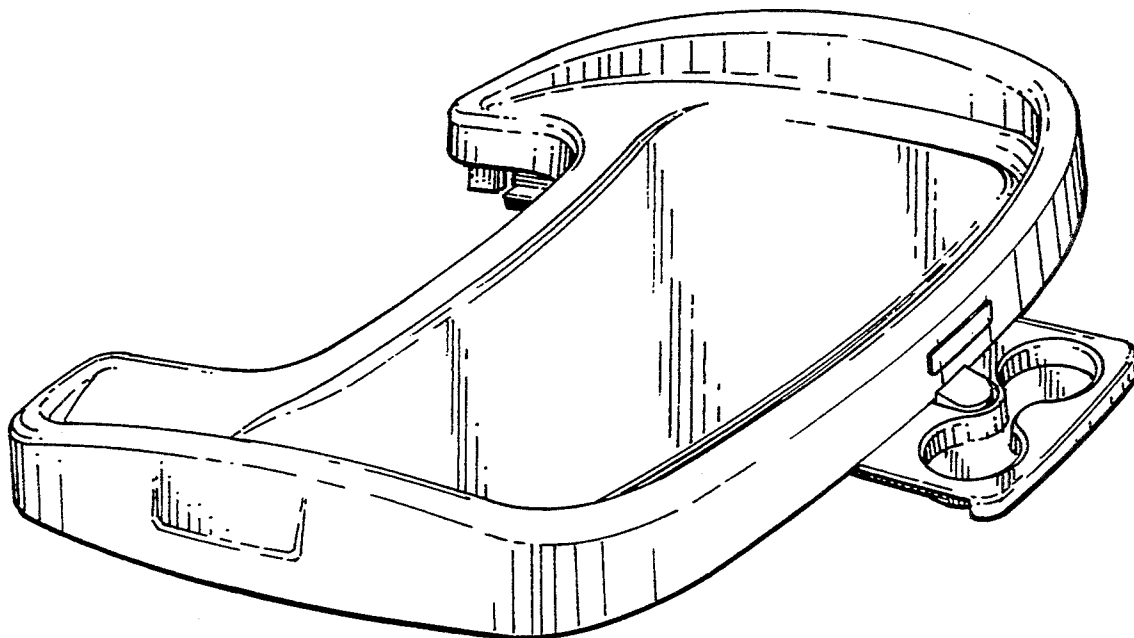
DESCRIPTION

FIG. 1 is a top view of the high chair tray showing the design of our invention;
 FIG. 2 is a bottom view thereof;
 FIG. 3 is a front view thereof;
 FIG. 4 is a rear view thereof;
 FIG. 5 is a right side view thereof;
 FIG. 6 is a perspective view, the broken lines are for environmental purposes only and form no part of the claimed design;
 FIG. 7 is a perspective view thereof; and,
 FIG. 8 is a cross-sectional view taken from line 8—8 in FIG. 4.
 The left side view is a mirror image of the right side view.

[56] References Cited

U.S. PATENT DOCUMENTS

- D. 99,853 6/1936 Brazell D6/511
- D. 288,513 3/1987 Shelly D6/511 X
- D. 331,330 12/1992 Bennett et al. D6/511 X
- D. 344,189 2/1994 Golenz et al. D6/339
- 1,182,938 5/1916 Snideman 297/153
- 3,146,738 9/1964 Telarico D6/406 X



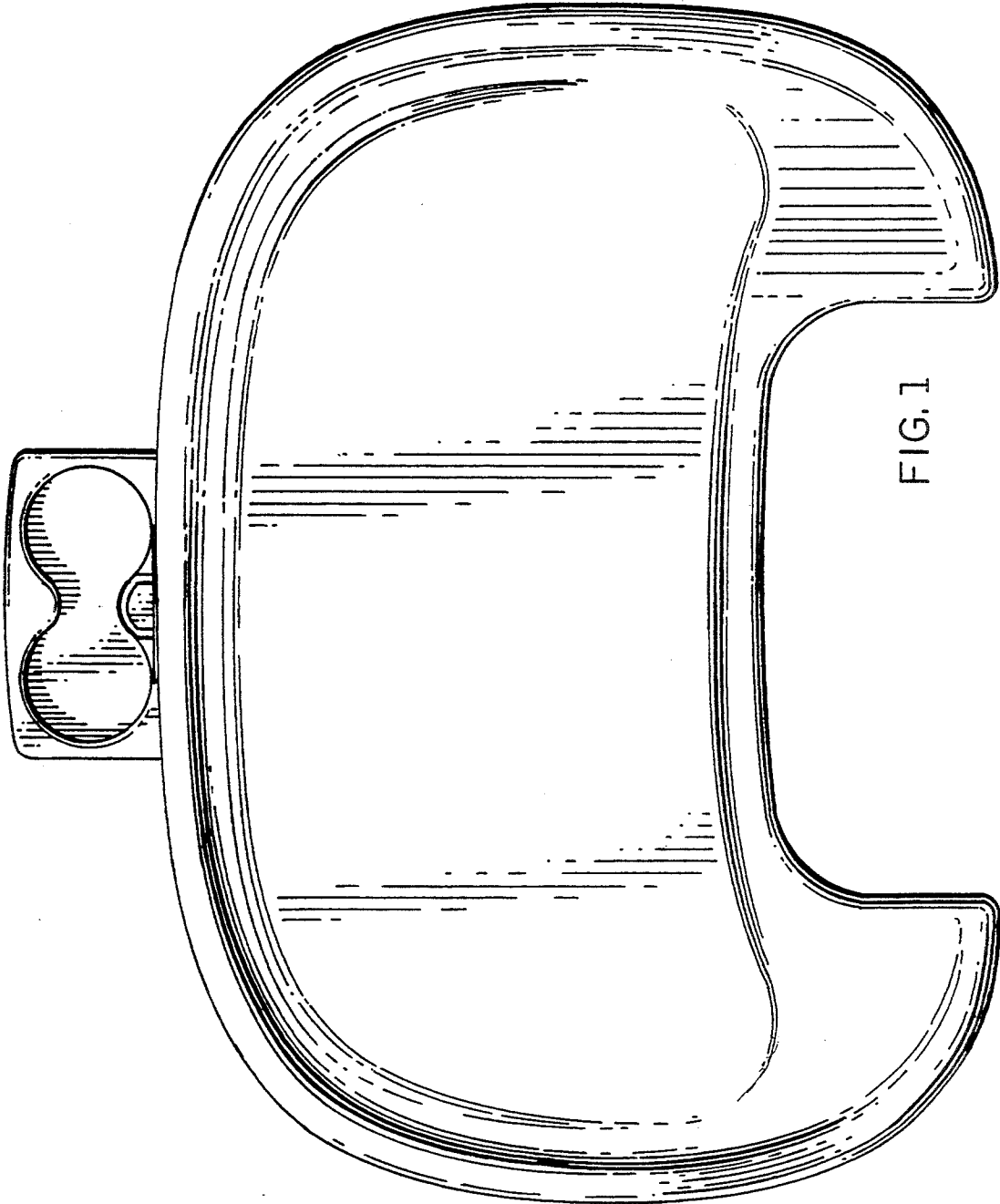


FIG. 1

