

(19) World Intellectual Property Organization  
International Bureau



(43) International Publication Date  
7 September 2007 (07.09.2007)

PCT

(10) International Publication Number  
**WO 2007/100764 A3**

- (51) International Patent Classification:  
*B65D 5/20* (2006.01)
- (21) International Application Number:  
PCT/US2007/004924
- (22) International Filing Date:  
27 February 2007 (27.02.2007)
- (25) Filing Language: English
- (26) Publication Language: English
- (30) Priority Data:  
60/777,322 28 February 2006 (28.02.2006) US
- (71) Applicant (for all designated States except US):  
**GRAPHIC PACKAGING INTERNATIONAL, INC.**  
[US/US]; 814 Livingston Court, Marietta, GA 30067 (US).

AT, AU, AZ, BA, BB, BG, BR, BW, BY, BZ, CA, CH, CN, CO, CR, CU, CZ, DE, DK, DM, DZ, EC, EE, EG, ES, FI, GB, GD, GE, GH, GM, GT, HN, HR, HU, ID, IL, IN, IS, JP, KE, KG, KM, KN, KP, KR, KZ, LA, LC, LK, LR, LS, LT, LU, LV, LY, MA, MD, MG, MK, MN, MW, MX, MY, MZ, NA, NG, NI, NO, NZ, OM, PG, PH, PL, PT, RO, RS, RU, SC, SD, SE, SG, SK, SL, SM, SV, SY, TJ, TM, TN, TR, TT, TZ, UA, UG, US, UZ, VC, VN, ZA, ZM, ZW.

(84) Designated States (unless otherwise indicated, for every kind of regional protection available): ARIPO (BW, GH, GM, KE, LS, MW, MZ, NA, SD, SL, SZ, TZ, UG, ZM, ZW), Eurasian (AM, AZ, BY, KG, KZ, MD, RU, TJ, TM), European (AT, BE, BG, CH, CY, CZ, DE, DK, EE, ES, FI, FR, GB, GR, HU, IE, IS, IT, LT, LU, LV, MC, NL, PL, PT, RO, SE, SI, SK, TR), OAPI (BF, BJ, CF, CG, CI, CM, GA, GN, GQ, GW, ML, MR, NE, SN, TD, TG).

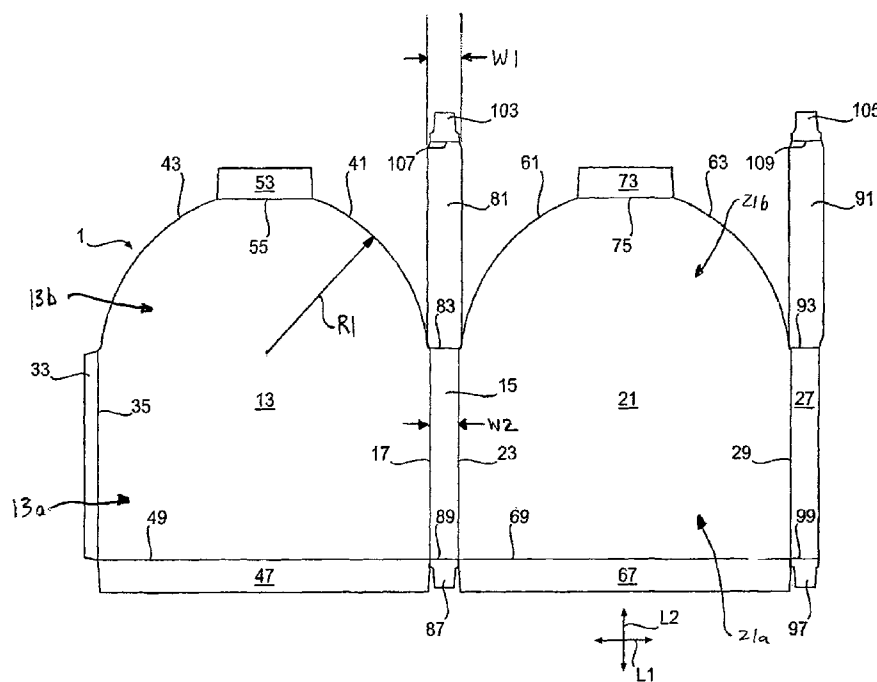
- (72) Inventor: **OLIVEIRA, Steven, Manuel**; 18 Academy Drive, Nashua, NH 03064 (US).
- (74) Agents: **ISAF, Louis, T.** et al.; Womble Carlyle Sandridge & Rice, PLLC, P.O. Box 7037, Atlanta, GA 30357-0037 (US).
- (81) Designated States (unless otherwise indicated, for every kind of national protection available): AE, AG, AL, AM,

**Published:**  
— with international search report

(88) Date of publication of the international search report:  
15 November 2007

For two-letter codes and other abbreviations, refer to the "Guidance Notes on Codes and Abbreviations" appearing at the beginning of each regular issue of the PCT Gazette.

(54) Title: CARTON WITH CURVED TOP



(57) Abstract: A carton for holding a food product. The carton has a plurality of panels that extend at least partially around an interior of the carton. The plurality of panels comprises a front panel, a back panel, a first side panel, and a second side panel. The front and back panel each have a curved edge at an end of the carton.

WO 2007/100764 A3

# INTERNATIONAL SEARCH REPORT

International application No  
PCT/US2007/004924

<b>A. CLASSIFICATION OF SUBJECT MATTER</b> INV. B65D/20		
According to International Patent Classification (IPC) or to both national classification and IPC		
<b>B. FIELDS SEARCHED</b>		
Minimum documentation searched (classification system followed by classification symbols) B65D		
Documentation searched other than minimum documentation to the extent that such documents are included in the fields searched		
Electronic data base consulted during the international search (name of data base and, where practical, search terms used) EPO-Internal		
<b>C. DOCUMENTS CONSIDERED TO BE RELEVANT</b>		
Category*	Citation of document, with indication, where appropriate, of the relevant passages	Relevant to claim No.
X	WO 98/39220 A (MEAD CORP [US]; SAULAS ALAIN [FR]) 11 September 1998 (1998-09-11)  page 3, line 23 - page 6, line 12; figures 1,2	1-11, 13-16, 18-21, 28,29
X	US 5 263 634 A (KORINE GIL J [US]) 23 November 1993 (1993-11-23)  column 2, line 4 - line 63; figures 1-4	1,2, 14-16, 28,29
A	DE 295 04 256 U1 (HESELBACH JENS DR ING [DE]; KAELBERER GERMAN DIPL ING [DE]; BUTTO NIN) 11 May 1995 (1995-05-11) page 10, paragraph 1; figures 1,2  ----- -/--	1-30
<input checked="" type="checkbox"/> Further documents are listed in the continuation of Box C.		
<input checked="" type="checkbox"/> See patent family annex.		
* Special categories of cited documents :		
*A* document defining the general state of the art which is not considered to be of particular relevance *E* earlier document but published on or after the international filing date *L* document which may throw doubts on priority claim(s) or which is cited to establish the publication date of another citation or other special reason (as specified) *O* document referring to an oral disclosure, use, exhibition or other means *P* document published prior to the international filing date but later than the priority date claimed	*T* later document published after the international filing date or priority date and not in conflict with the application but cited to understand the principle or theory underlying the invention *X* document of particular relevance; the claimed invention cannot be considered novel or cannot be considered to involve an inventive step when the document is taken alone *Y* document of particular relevance; the claimed invention cannot be considered to involve an inventive step when the document is combined with one or more other such documents, such combination being obvious to a person skilled in the art. *&* document member of the same patent family	
Date of the actual completion of the international search  <p style="text-align: center; font-size: 1.2em;">14 August 2007</p>	Date of mailing of the international search report  <p style="text-align: center; font-size: 1.2em;">27/08/2007</p>	
Name and mailing address of the ISA/ European Patent Office, P.B. 5818 Patentlaan 2 NL - 2280 HV Rijswijk Tel. (+31-70) 340-2040, Tx. 31 651 epo nl, Fax: (+31-70) 340-3016	Authorized officer  <p style="text-align: center; font-size: 1.2em;">Derrien, Yannick</p>	

INTERNATIONAL SEARCH REPORT

International application No  
PCT/US2007/004924

C(Continuation). DOCUMENTS CONSIDERED TO BE RELEVANT		
Category*	Citation of document, with indication, where appropriate, of the relevant passages	Relevant to claim No.
A	US 5 535 940 A (OLDS DAVID J [US]) 16 July 1996 (1996-07-16) column 2, line 63 - column 3, line 50; figures 2,3	1-30
X	EP 1 260 448 A1 (LU FRANCE [FR]) 27 November 2002 (2002-11-27) paragraph [0004] paragraph [0026]; figures 1,2a,3a-3d	1,14,22, 28-30
X	US 3 638 851 A (OFFER ROBERT J ET AL) 1 February 1972 (1972-02-01) column 1, line 43 - column 2, line 28; figure 3	1,14,22, 28-30

# INTERNATIONAL SEARCH REPORT

Information on patent family members

International application No

PCT/US2007/004924

Patent document cited in search report	Publication date	Patent family member(s)	Publication date
WO 9839220	A	11-09-1998	AT 359966 T 15-05-2007
			AT 278612 T 15-10-2004
			AU 6142098 A 22-09-1998
			BR 9806945 A 28-03-2000
			CA 2279384 A1 11-09-1998
			DE 69826877 D1 11-11-2004
			DE 69826877 T2 20-10-2005
			EP 1015328 A1 05-07-2000
			ES 2229479 T3 16-04-2005
			RO 120330 B1 30-12-2005
			US D439840 S1 03-04-2001
US 5263634	A	23-11-1993	NONE
DE 29504256	U1	11-05-1995	NONE
US 5535940	A	16-07-1996	NONE
EP 1260448	A1	27-11-2002	AT 294108 T 15-05-2005
			DE 60203846 D1 02-06-2005
			DE 60203846 T2 23-02-2006
			ES 2238549 T3 01-09-2005
			FR 2825070 A1 29-11-2002
US 3638851	A	01-02-1972	NONE