

(19) World Intellectual Property Organization  
International Bureau



(43) International Publication Date  
9 February 2006 (09.02.2006)

PCT

(10) International Publication Number  
WO 2006/014812 A3

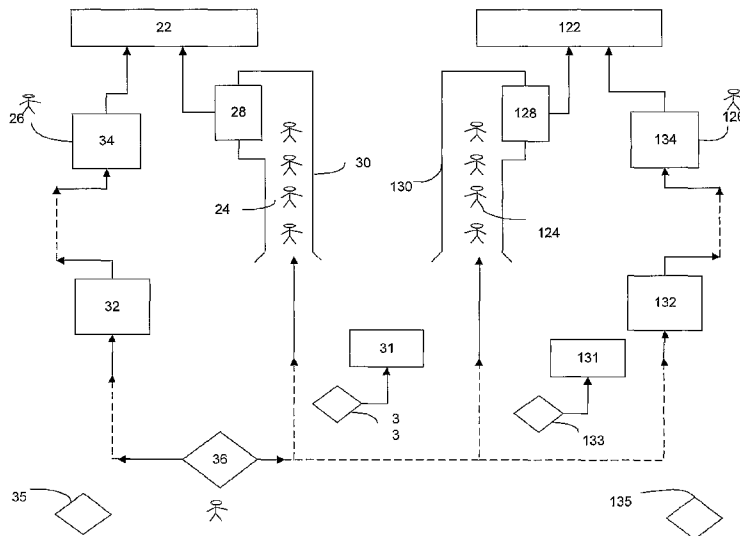
- (51) International Patent Classification:  
G06Q 10/00 (2006.01)
- (21) International Application Number:  
PCT/US2005/026099
- (22) International Filing Date: 22 July 2005 (22.07.2005)
- (25) Filing Language: English
- (26) Publication Language: English
- (30) Priority Data:  
10/899,711 26 July 2004 (26.07.2004) US
- (71) Applicant (for all designated States except US): DISNEY ENTERPRISES, INC. [US/US]; 500 South Buena Vista Street, Burbank, CA 90015-0158 (US).
- (72) Inventors; and
- (75) Inventors/Applicants (for US only): HALE, Gregory, B. [US/US]; 5205 Abelia Drive, Orlando, FL 32819 (US). NGUYEN, Phu, Van [US/US]; 5716 Bayside Drive, Orlando, FL 32819 (US). SCHWEIZER, Kenneth, W. [US/US]; 4739 Indian Gap Drive, Orlando, FL 32812 (US).
- (74) Agents: GREENBERG TRAURIG, LLP et al.; 2450 Colorado Avenue, Suite 400E, Santa Monica, CA 90404 (US).

- (81) Designated States (unless otherwise indicated, for every kind of national protection available): AE, AG, AL, AM, AT, AU, AZ, BA, BB, BG, BR, BW, BY, BZ, CA, CH, CN, CO, CR, CU, CZ, DE, DK, DM, DZ, EC, EE, EG, ES, FI, GB, GD, GE, GH, GM, HR, HU, ID, IL, IN, IS, JP, KE, KG, KM, KP, KR, KZ, LC, LK, LR, LS, LT, LU, LV, MA, MD, MG, MK, MN, MW, MX, MZ, NA, NG, NI, NO, NZ, OM, PG, PH, PL, PT, RO, RU, SC, SD, SE, SG, SK, SL, SM, SY, TJ, TM, TN, TR, TT, TZ, UA, UG, US, UZ, VC, VN, YU, ZA, ZM, ZW.
- (84) Designated States (unless otherwise indicated, for every kind of regional protection available): ARIPO (BW, GH, GM, KE, LS, MW, MZ, NA, SD, SL, SZ, TZ, UG, ZM, ZW), Eurasian (AM, AZ, BY, KG, KZ, MD, RU, TJ, TM), European (AT, BE, BG, CH, CY, CZ, DE, DK, EE, ES, FI, FR, GB, GR, HU, IE, IS, IT, LT, LU, LV, MC, NL, PL, PT, RO, SE, SI, SK, TR), OAPI (BF, BJ, CF, CG, CI, CM, GA, GN, GQ, GW, ML, MR, NE, SN, TD, TG).

- Published:
  - with international search report
  - before the expiration of the time limit for amending the claims and to be republished in the event of receipt of amendments
- (88) Date of publication of the international search report:  
22 February 2007

[Continued on next page]

(54) Title: MANAGEMENT OF THE FLOW OF PASSENGERS, BAGGAGE AND CARGO IN RELATION TO TRAVEL FACILITIES



(57) Abstract: Processing passengers for departure from an airport comprises a first line for passengers to be processed through a control point on the basis of first-in first-out. There is a second line for passengers to be processed on a non first-in first-out basis. The availability for the second line is determined by at least one of the following characteristics, namely the status of the passenger relative to an airline class of service ; delays in flight times of one or more flights using the airport ; cancellations of other flights using the airport ; security factors at the airport ; staffing at the airport ; calendar date of flight ; time of date of flight ; number of passengers for the flights ; and baggage handling. The system also processes passengers for arrival at an airport. The system also processes passengers for arrival at an airport so as facilitate baggage handling.

WO 2006/014812 A3



---

*For two-letter codes and other abbreviations, refer to the "Guidance Notes on Codes and Abbreviations" appearing at the beginning of each regular issue of the PCT Gazette.*

**INTERNATIONAL SEARCH REPORT**

International application No.

PCT/US05/26099

**A. CLASSIFICATION OF SUBJECT MATTER**  
 IPC: **G06Q 10/00( 2007.01)**

USPC: 705/5,9,14  
 According to International Patent Classification (IPC) or to both national classification and IPC

**B. FIELDS SEARCHED**

Minimum documentation searched (classification system followed by classification symbols)  
 U.S. : 705/5, 9, 14

Documentation searched other than minimum documentation to the extent that such documents are included in the fields searched

Electronic data base consulted during the international search (name of data base and, where practicable, search terms used)  
 EAST

**C. DOCUMENTS CONSIDERED TO BE RELEVANT**

Category *	Citation of document, with indication, where appropriate, of the relevant passages	Relevant to claim No.
A	US 6,990,457 (LITMAN et al) 24 June 2006 (24.06.2006) whole document.	1-37
A	US 5,948,040 (DELORME et al) 7 September 1999 (07.09.1999) whole document.	1-37

Further documents are listed in the continuation of Box C.  See patent family annex.

* Special categories of cited documents:	"T"	later document published after the international filing date or priority date and not in conflict with the application but cited to understand the principle or theory underlying the invention
"A" document defining the general state of the art which is not considered to be of particular relevance	"X"	document of particular relevance; the claimed invention cannot be considered novel or cannot be considered to involve an inventive step when the document is taken alone
"E" earlier application or patent published on or after the international filing date	"Y"	document of particular relevance; the claimed invention cannot be considered to involve an inventive step when the document is combined with one or more other such documents, such combination being obvious to a person skilled in the art
"L" document which may throw doubts on priority claim(s) or which is cited to establish the publication date of another citation or other special reason (as specified)	"&"	document member of the same patent family
"O" document referring to an oral disclosure, use, exhibition or other means		
"P" document published prior to the international filing date but later than the priority date claimed		

Date of the actual completion of the international search 01 November 2006 (01.11.2006)	Date of mailing of the international search report <b>08 DEC 2006</b>
Name and mailing address of the ISA/US Mail Stop PCT, Attn: ISA/US Commissioner for Patents P.O. Box 1450 Alexandria, Virginia 22313-1450 Facsimile No. (571) 273-3201	Authorized officer <i>for</i> Thomas A. Dixon <i>SP</i> Telephone No. (571) 272-3600

# INTERNATIONAL SEARCH REPORT

International application No.

PCT/US05/26099

## Box No. II Observations where certain claims were found unsearchable (Continuation of item 2 of first sheet)

This international search report has not been established in respect of certain claims under Article 17(2)(a) for the following reasons:

1.  Claims Nos.: 1-37  
because they relate to subject matter not required to be searched by this Authority, namely:  
1. Claims 1, 5, 9, 30 and their dependents are seen to be non-statutory as they are seen to be a mathematical algorithm per-se and therefore are non-statutory.
2.  Claims Nos.:  
because they relate to parts of the international application that do not comply with the prescribed requirements to such an extent that no meaningful international search can be carried out, specifically:
3.  Claims Nos.:  
because they are dependent claims and are not drafted in accordance with the second and third sentences of Rule 6.4(a).

## Box No. III Observations where unity of invention is lacking (Continuation of item 3 of first sheet)

This International Searching Authority found multiple inventions in this international application, as follows:

1.  As all required additional search fees were timely paid by the applicant, this international search report covers all searchable claims.
  2.  As all searchable claims could be searched without effort justifying additional fees, this Authority did not invite payment of any additional fees.
  3.  As only some of the required additional search fees were timely paid by the applicant, this international search report covers only those claims for which fees were paid, specifically claims Nos.:
  4.  No required additional search fees were timely paid by the applicant. Consequently, this international search report is restricted to the invention first mentioned in the claims; it is covered by claims Nos.:
- Remark on Protest**
- The additional search fees were accompanied by the applicant's protest and, where applicable, the payment of a protest fee.
  - The additional search fees were accompanied by the applicant's protest but the applicable protest fee was not paid within the time limit specified in the invitation.
  - No protest accompanied the payment of additional search fees.