



US0D1007472S

(12) **United States Design Patent**  
**Xiao**

(10) **Patent No.:** **US D1,007,472 S**

(45) **Date of Patent:** **\*\* Dec. 12, 2023**

(54) **PORTABLE SPEAKER STRAP**  
(71) Applicant: **Jolly Innovation Technology Co., Ltd.**,  
Guangzhou (CN)

D828,822 S \* 9/2018 Dallmeyer ..... D14/217  
D889,819 S \* 7/2020 Feng ..... D14/447  
2014/0152034 A1\* 6/2014 Tussy ..... H04B 1/3888  
294/142

(72) Inventor: **Li Xiao**, Guangdong (CN)  
(73) Assignee: **Jolly Innovation Technology Co., Ltd.**,  
Guangzhou (CN)

FOREIGN PATENT DOCUMENTS

CN 306283492 S 1/2021  
CN 307781771 S 1/2023  
EM 0066290850001 8/2019

(\*\*) Term: **15 Years**  
(21) Appl. No.: **29/898,637**  
(22) Filed: **Jul. 31, 2023**

\* cited by examiner

*Primary Examiner* — Khawaja Anwar  
(74) *Attorney, Agent, or Firm* — ScienBiziP, P.C.

(30) **Foreign Application Priority Data**  
Jan. 31, 2023 (CN) ..... 202330021014.1

(57) **CLAIM**  
The ornamental design for a portable speaker strap, as shown and described.

(51) **LOC (14) Cl.** ..... **14-03**  
(52) **U.S. Cl.**

**DESCRIPTION**

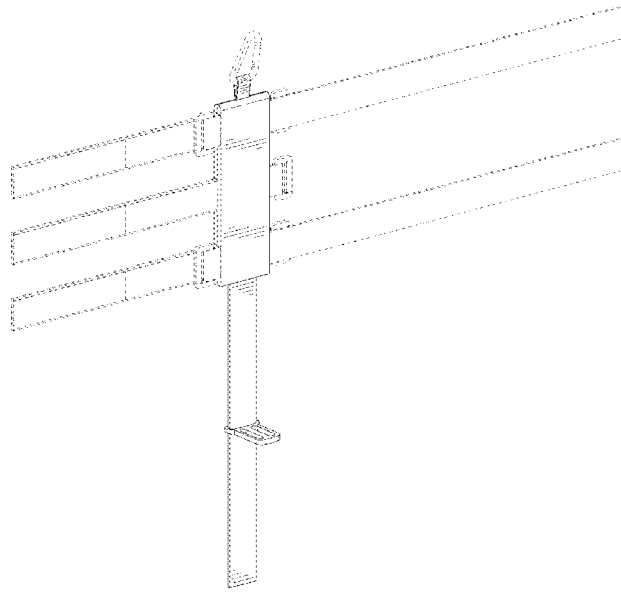
USPC ..... **D14/217**  
(58) **Field of Classification Search**  
USPC ..... D14/217, 218, 201, 301, 372, 303, 250,  
D14/440, 447, 432, 434, 439, 451, 452,  
D14/457, 239; D6/406.3, 406.4, 406.5,  
D6/406.6; D8/363, 373, 380; D3/218,  
D3/201, 301, 303  
CPC ..... H04R 1/02; H04R 25/658; H04R 5/02;  
H04R 1/026; H04R 1/345  
See application file for complete search history.

FIG. 1 is a front and left side perspective view of a portable speaker strap showing my design;  
FIG. 2 is a rear and right side perspective view thereof;  
FIG. 3 is a front elevational view thereof;  
FIG. 4 is a rear elevational view thereof;  
FIG. 5 is a left side view thereof;  
FIG. 6 is a right side view thereof;  
FIG. 7 is a top plan view thereof;  
FIG. 8 is a bottom plan view thereof;  
FIG. 9 is a front and left side perspective view showing the portable speaker strap of FIG. 1 mounted with a speaker on a pipe; and,  
FIG. 10 is a front and left side perspective view showing the portable speaker strap of FIG. 1 mounted with a speaker on a pipe.  
The broken lines depicting portions of the portable speaker strap form no part of the claimed design.

(56) **References Cited**  
U.S. PATENT DOCUMENTS

D338,339 S \* 8/1993 Anderson ..... D3/327  
D614,902 S 5/2010 Powell  
D650,531 S \* 12/2011 Young ..... D29/120.1  
D721,373 S \* 1/2015 Logereau ..... D14/432  
D747,042 S \* 1/2016 Busuttil ..... D29/113  
D811,729 S \* 3/2018 Bysshe ..... D3/218

**1 Claim, 10 Drawing Sheets**



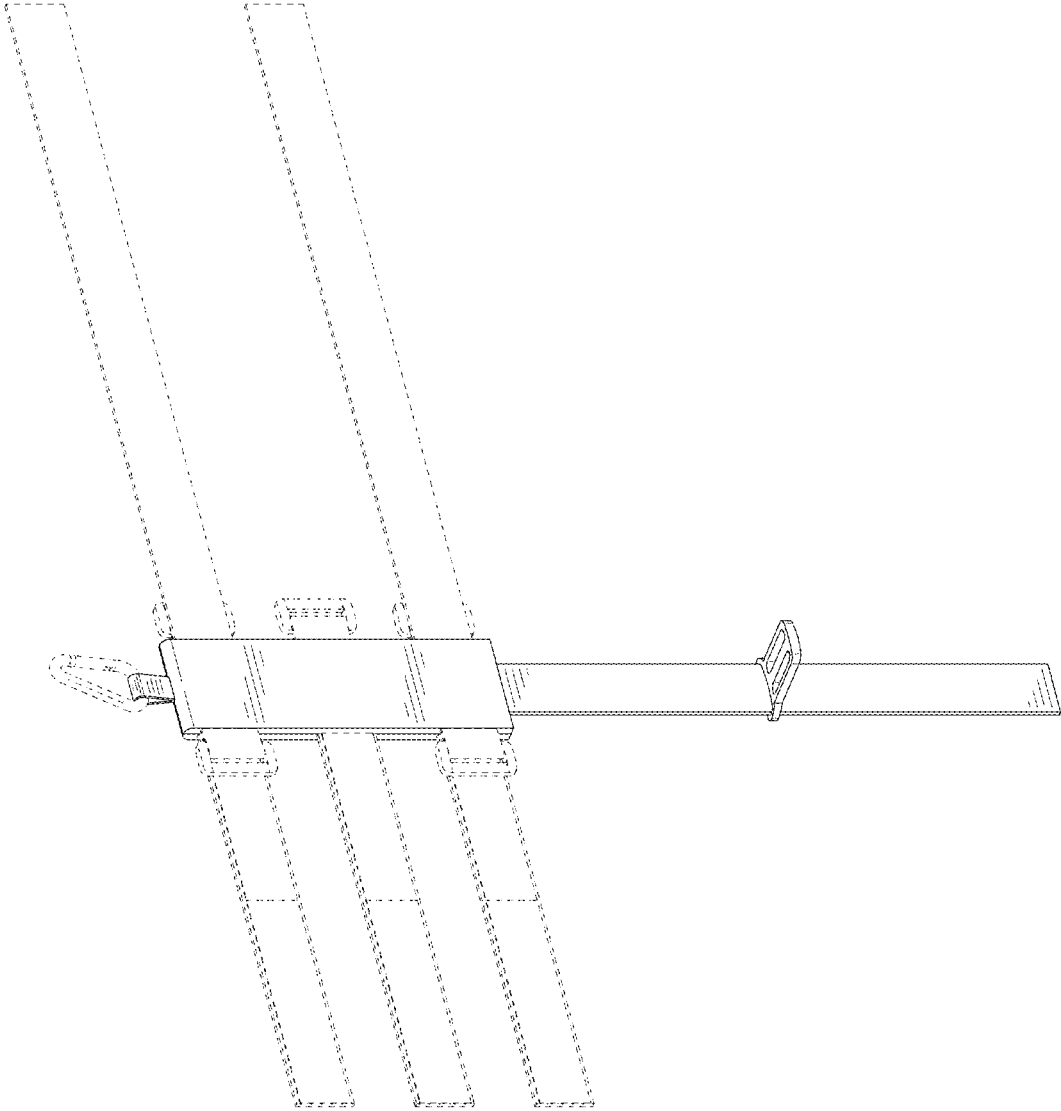


FIG. 1

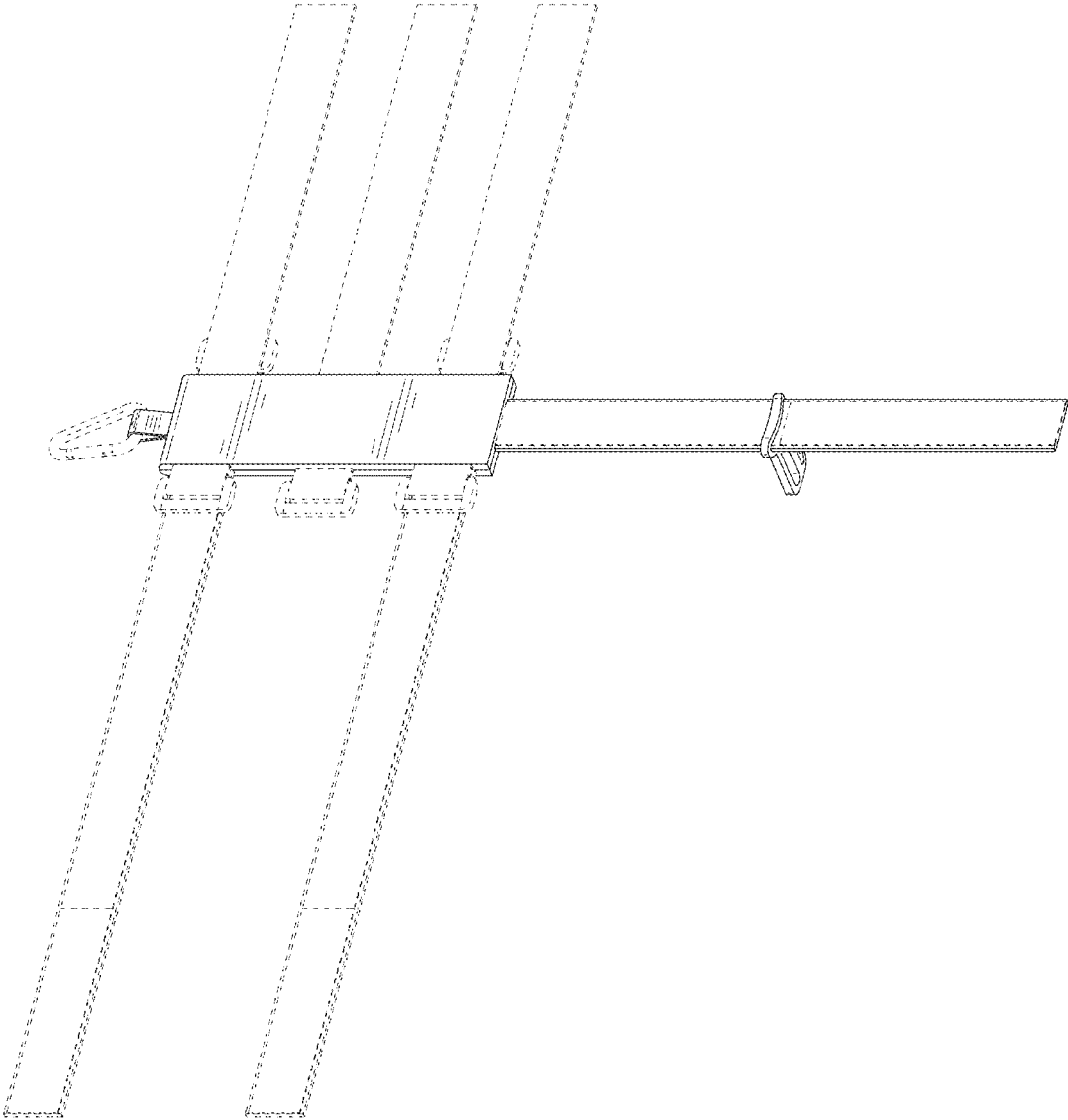


FIG. 2

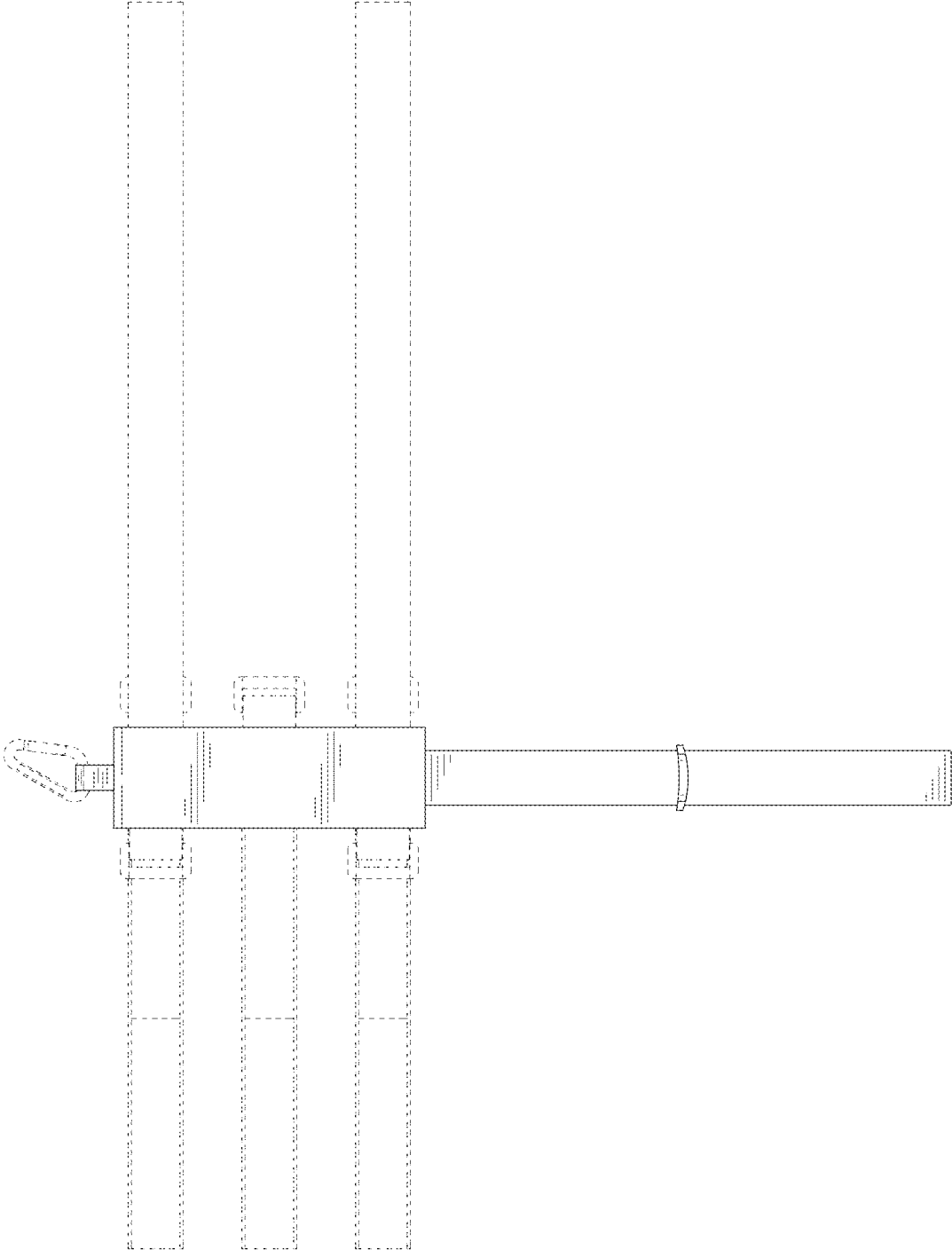


FIG. 3

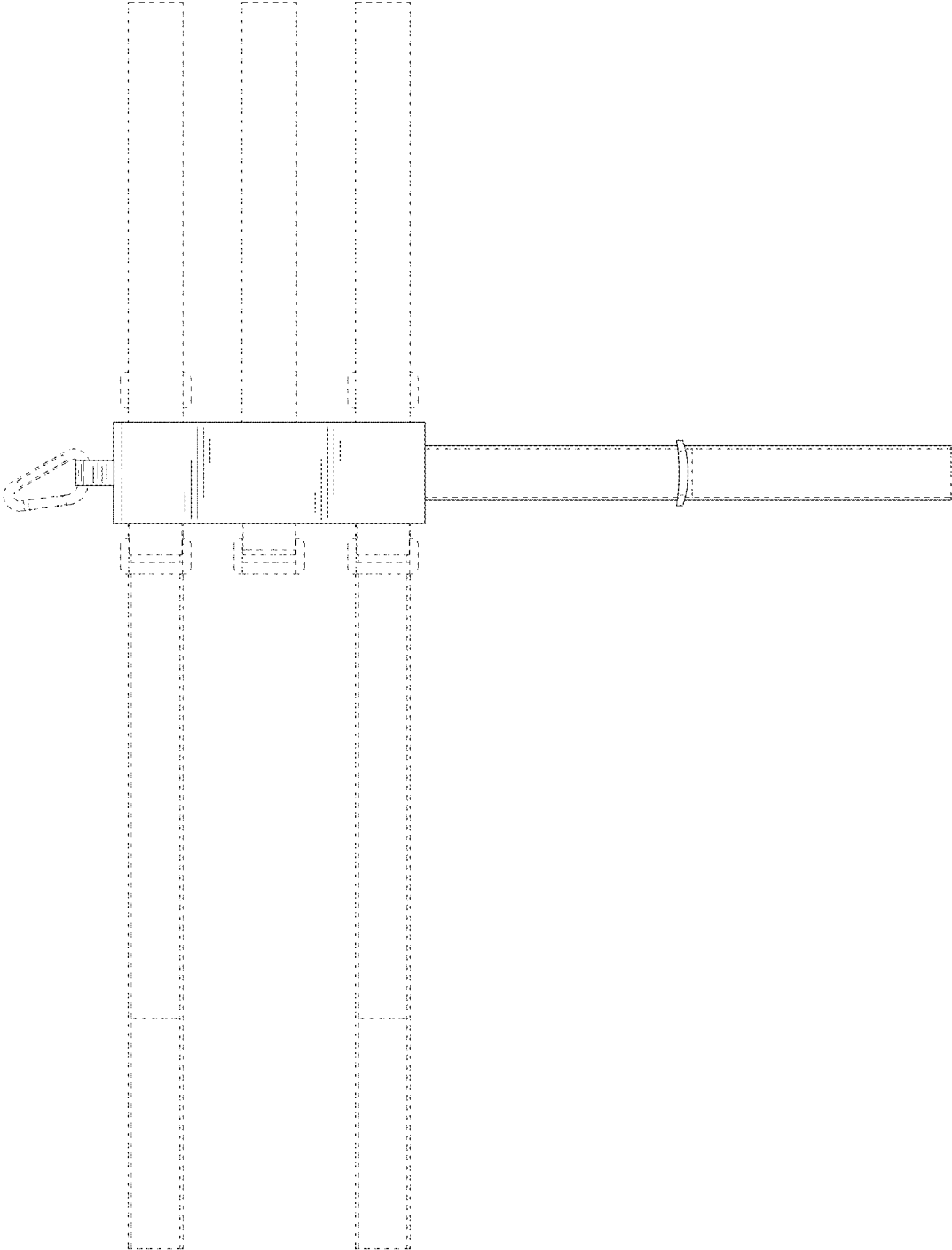


FIG. 4

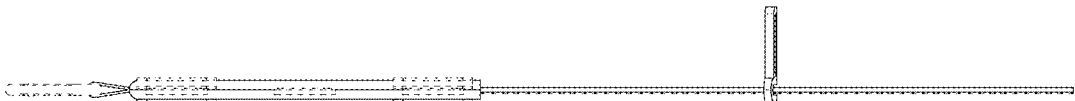


FIG. 5

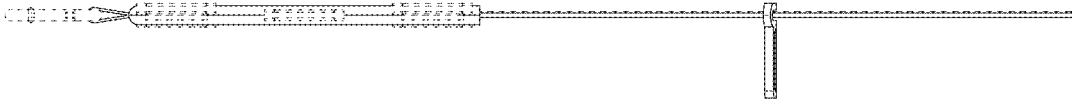


FIG. 6





FIG. 8

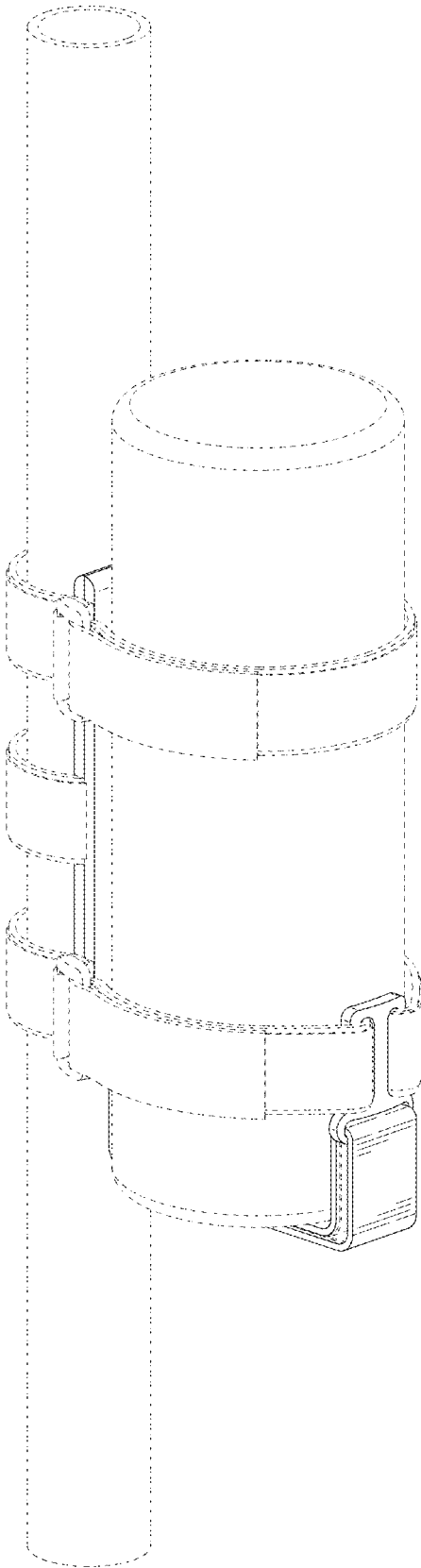


FIG. 9

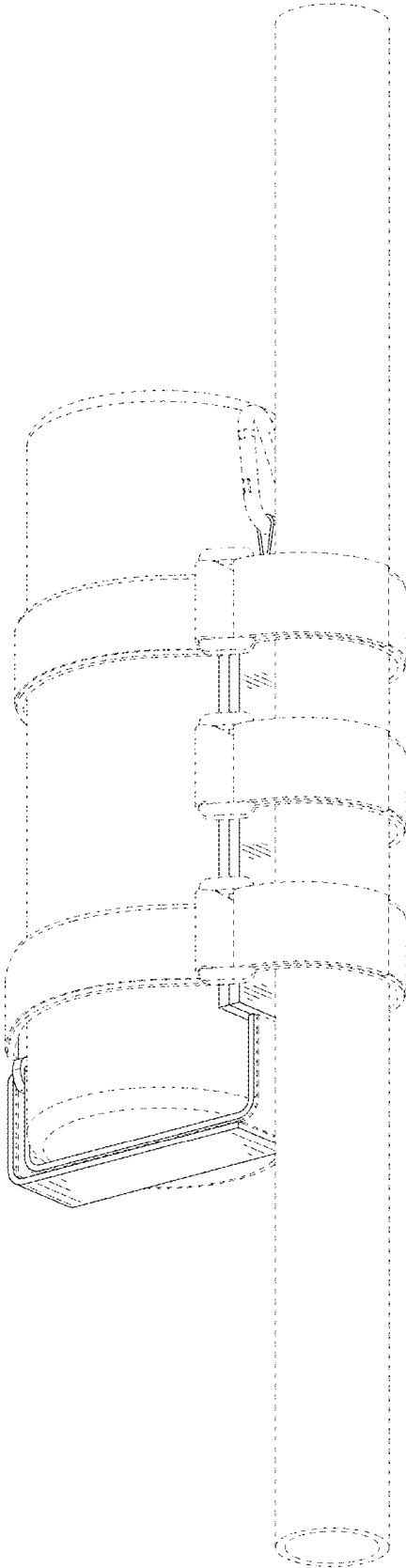


FIG. 10