



US00D401640S

United States Patent [19]

[11] Patent Number: **Des. 401,640**

Van Wagenen

[45] Date of Patent: ****Nov. 24, 1998**

[54] PANEL FOR PLAYGROUND STRUCTURE

OTHER PUBLICATIONS

[75] Inventor: **Gary B. Van Wagenen**, San Marino, Calif.

P. 45, Panels for playground structures; Burke Company, Inc., 660 Van Dyne Road, P. O. Box 549, Fond du Lac, Wisconsin 54936-0549. Publication date 1992.

[73] Assignee: **Little Tikes Commercial Play Systems (Omni) Inc.**, Industry, Calif.

Pp. 44 and 45, Panels for playground structures; Landscape Structures Inc., 601 7th Street South, Delano, Minnesota 55328. Publication date 1992.

[**] Term: **14 Years**

(List continued on next page.)

[21] Appl. No.: **66,055**

Primary Examiner—Ted Shooman

[22] Filed: **Feb. 3, 1997**

Assistant Examiner—Mitchell I. Siegel

[51] **LOC (6) Cl.** **21-03**

Attorney, Agent, or Firm—Richard B. O’Planick; Lisa B. Riedesel

[52] **U.S. Cl.** **D21/240**

[57] CLAIM

[58] **Field of Search** D21/240, 243, D21/244, 245, 246, 109; 482/35

The ornamental design for a panel for playground structure, as shown and described.

[56] References Cited

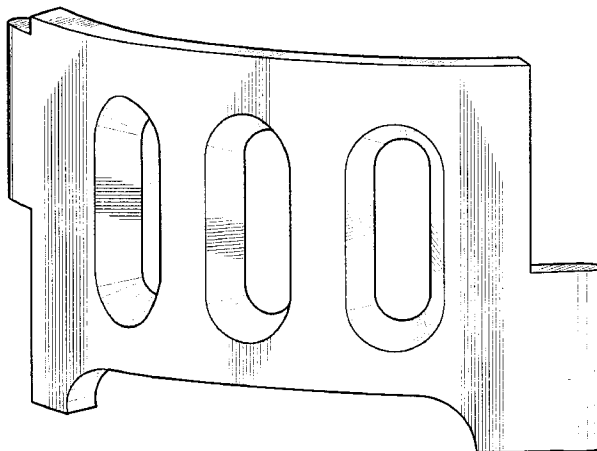
DESCRIPTION

U.S. PATENT DOCUMENTS

D. 224,029	6/1972	Gale et al.	D34/5
D. 285,585	9/1986	Murdough, Jr. et al.	D21/108
D. 285,587	9/1986	Murdough, Jr. et al.	D21/108
D. 303,826	10/1989	Aker	D21/244
D. 307,924	5/1990	Fish, Jr.	D21/108
D. 333,328	2/1993	Aker et al.	D21/114
D. 334,610	4/1993	Aker	D21/244
D. 343,438	1/1994	Fish, Jr.	D21/244
D. 344,773	3/1994	Aker et al.	D21/244
D. 353,866	12/1994	Houry et al.	D21/240
D. 353,867	12/1994	Houry et al.	D21/240
D. 354,108	1/1995	Houry et al.	D21/240
D. 355,693	2/1995	Aker et al.	D21/244
D. 358,441	5/1995	Houry et al.	D21/240
D. 367,308	2/1996	Kelley et al.	D21/240
D. 367,694	3/1996	Van Huystee	D21/244
D. 367,911	3/1996	Van Huystee	D21/244
D. 370,538	6/1996	Gentry	D25/138
D. 374,902	10/1996	Bookstaver et al.	D21/246
D. 375,537	11/1996	Lenihan	D21/245
D. 377,075	12/1996	Temple et al.	D21/244
D. 377,203	1/1997	Jaeb	D21/244
D. 381,730	7/1997	Van Huystee	D21/240
2,057,942	10/1936	Fay	46/31
4,731,041	3/1988	Ziegler	446/115

FIG. 1 is a enlarged top right front perspective view of a panel for playground structure showing my new design; FIG. 2 is a top plan view thereof; FIG. 3 is a front elevational view thereof; FIG. 4 is a bottom plan view thereof; FIG. 5 is a right side elevational view thereof; FIG. 6 is a rear elevational view thereof; FIG. 7 is a left side elevational view thereof; FIG. 8 is an enlarged top right front perspective view of an alternate embodiment of a panel for playground structure showing my new design; FIG. 9 is a front elevational view of the alternate embodiment; FIG. 10 is a rear elevational view of the alternate embodiment; FIG. 11 is a top plan view of the alternate embodiment; the undisclosed bottom plan view is identical to FIG. 4; FIG. 12 is a right side elevational view of the alternate embodiment; and, FIG. 13 is a left side elevational view of the alternate embodiment.

1 Claim, 3 Drawing Sheets



OTHER PUBLICATIONS

Pp. 28–31, Panels for playground structures; GameTime, Inc., P. O. Box 121, Fort Payne, Alabama 35967. Publication date 1995.

P. 9, Panel for playground structure; The Children's Factory, 505 North Kirkwood Road, St. Louis, Missouri 63122, Publication date 1986–88.

P. 65, Panel for playground structure; Kaplan School Supply Corp., 1310 Lewisville–Clemmons Road, Lewisville, North Carolina 27023. Publication date 1986–87.

Catalog page, Panel for playground structure; Step 2 Corporation, 10010 Auronora–Hudson Road, P. O. Box 2412, Streetsboro, Ohio 44241–0412. Publication date 1993.

Fig-1

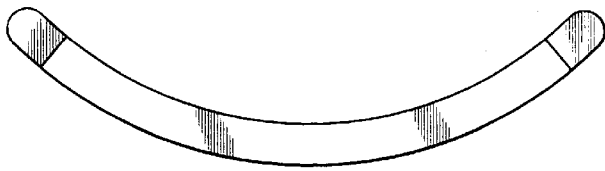
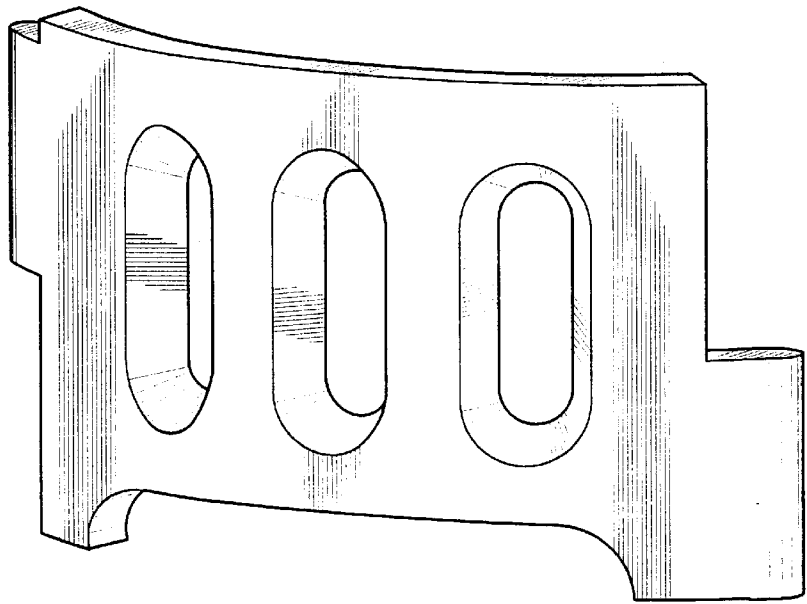


Fig-2

Fig-3

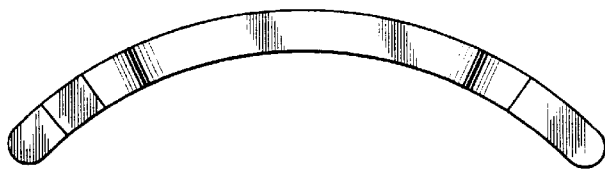
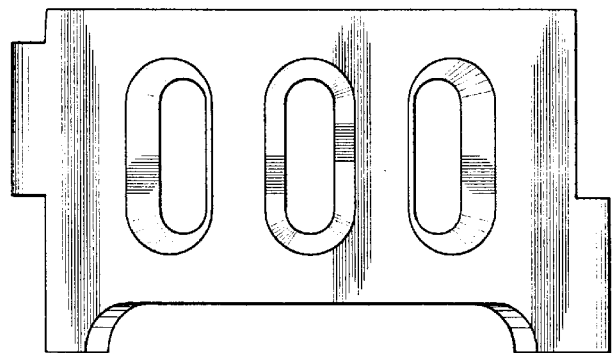


Fig-4

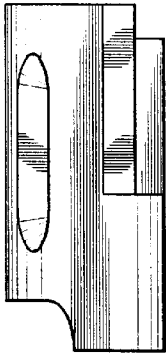


Fig-5

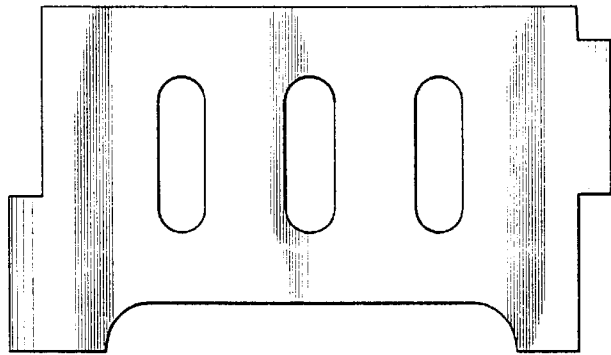


Fig-6

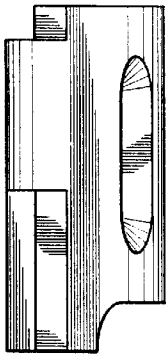


Fig-7

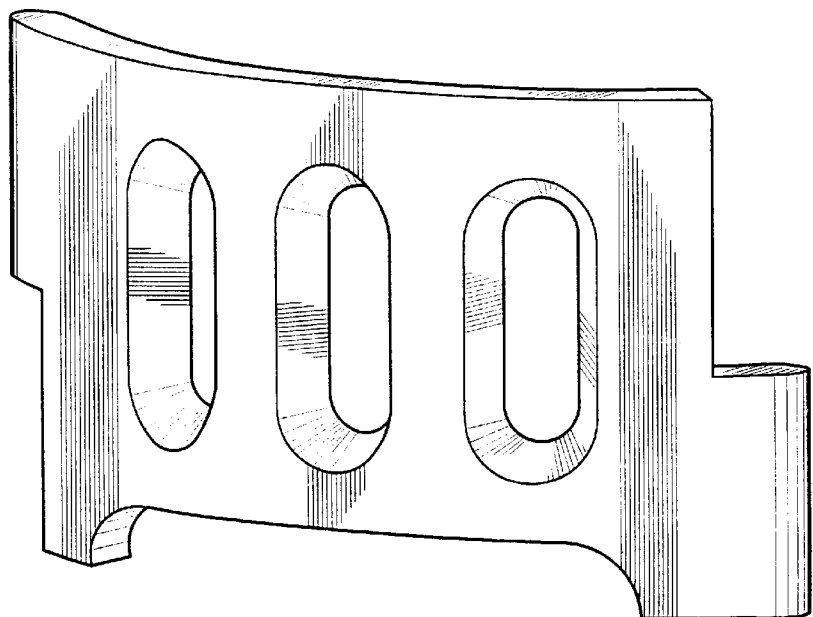


Fig-8

Fig-9

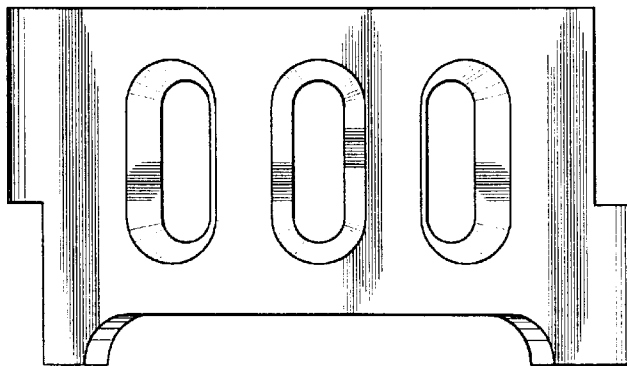


Fig-10

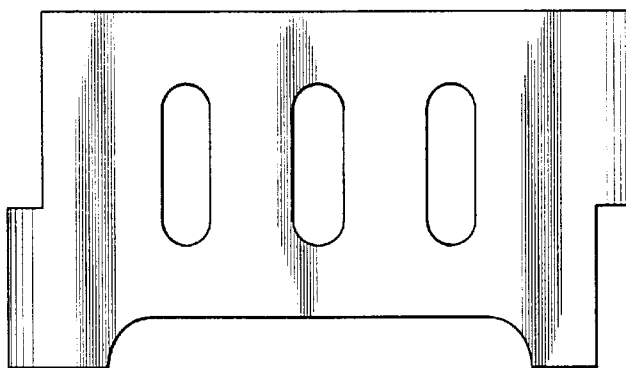


Fig-11

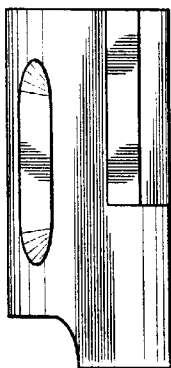


Fig-12

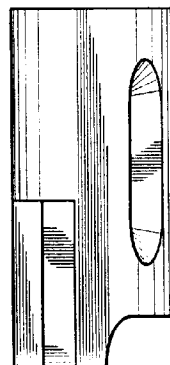


Fig-13