



US00D380140S

United States Patent [19]
Siemens

[11] **Patent Number: Des. 380,140**
[45] **Date of Patent: **Jun. 24, 1997**

[54] **PICKET SPACER**

[75] **Inventor: Peter Floyd Siemens**, Clearbrook, Canada

[73] **Assignee: Alco Railings Ltd.**, Langley, Canada

[**] **Term: 14 Years**

[21] **Appl. No.: 38,339**

[22] **Filed: May 3, 1995**

[51] **LOC (6) Cl. 08-05**

[52] **U.S. Cl. D8/354; D25/199**

[58] **Field of Search D8/354, 349; D25/38, D25/43, 53, 131, 133, 199; 403/202, 179; 248/300; 256/35, 47, 65; D20/43**

[56] **References Cited**

U.S. PATENT DOCUMENTS

| | | | | | |
|-----------|---------|-----------------|-------|---------|---|
| 625,278 | 5/1899 | Spoore | | 256/35 | X |
| 1,105,420 | 7/1914 | Green | | 248/300 | X |
| 4,619,440 | 10/1986 | Thevenin et al. | | 256/47 | |

OTHER PUBLICATIONS

B&T Metals, 1965, p. 45, edge item D located at top of page.
Outwater Plastics, 1983, p. 202, ticket holder, located in middle of page.

Installation Instructions brochure by Darmac Distributors—Dec. 1994.

Picture of Picket Spacer by Western Awning from Western Awning 1994 brochure.

Installation instructions brochure of Western Railco Products Ltd., Oct. 1991.

Copy of page from Alumarail 1994 product brochure showing a spacer in use.

Primary Examiner—Holly Baynham

Attorney, Agent, or Firm—Fetherstonhaugh & Co.

[57] **CLAIM**

The ornamental design for a picket spacer, as shown.

DESCRIPTION

FIG. 1 is a top perspective view of a picket spacer showing my new design;

FIG. 2 is a top plan view thereof;

FIG. 3 is a left side elevational view thereof;

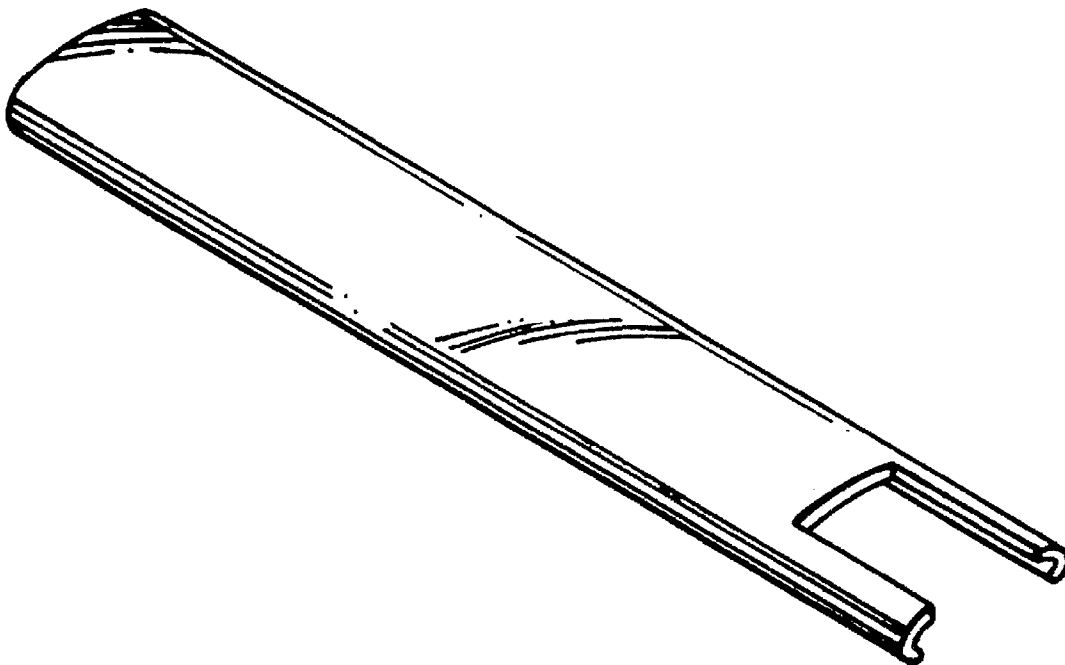
FIG. 4 is a bottom view thereof;

FIG. 5 is a right side elevational view thereof;

FIG. 6 is a rear elevational view thereof; and,

FIG. 7 is a front elevational view thereof.

1 Claim, 1 Drawing Sheet



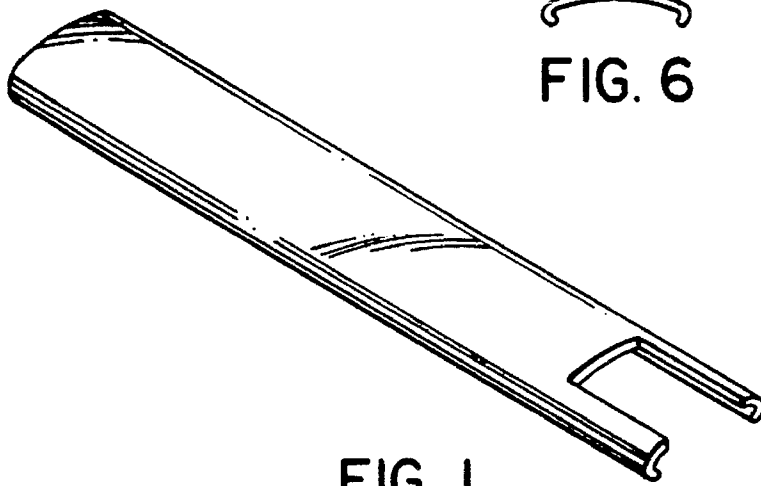


FIG. 1



FIG. 6



FIG. 7

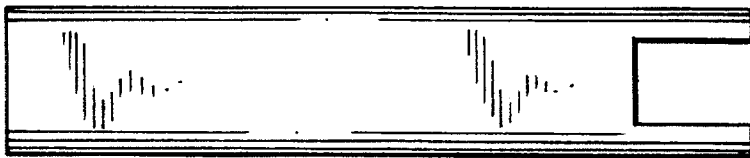


FIG. 2

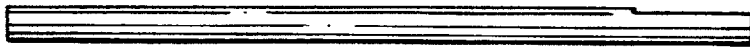


FIG. 3

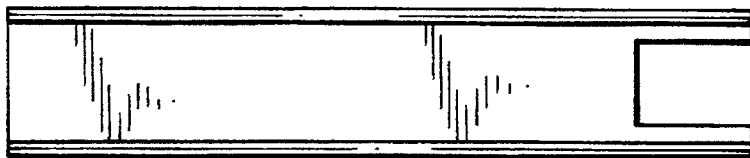


FIG. 4



FIG. 5