



US00D475765S

(12) **United States Design Patent**
Singtoroj

(10) **Patent No.:** **US D475,765 S**

(45) **Date of Patent:** **** Jun. 10, 2003**

- (54) **SHOWER HANDLE FLANGE**
- (75) **Inventor:** **Yos Singtoroj, Anaheim, CA (US)**
- (73) **Assignee:** **Newfrey LLC, Newark, DE (US)**
- (**) **Term:** **14 Years**
- (21) **Appl. No.:** **29/158,489**
- (22) **Filed:** **Apr. 4, 2002**
- (51) **LOC (7) Cl. 23-01**
- (52) **U.S. Cl. D23/249**
- (58) **Field of Search D23/213, 233,**
D23/238-243, 245-249, 250; D8/350, 352

- D300,238 S * 3/1989 Kohler, Jr. et al. D23/249
- D386,667 S * 11/1997 Smith D8/352
- D415,257 S * 10/1999 Abel D23/250

* cited by examiner

Primary Examiner—Nelson C. Holtje

(74) *Attorney, Agent, or Firm*—Richard J. Veltman; John D. Del Ponti

(57) **CLAIM**

The ornamental design for a shower handle flange, as shown.

DESCRIPTION

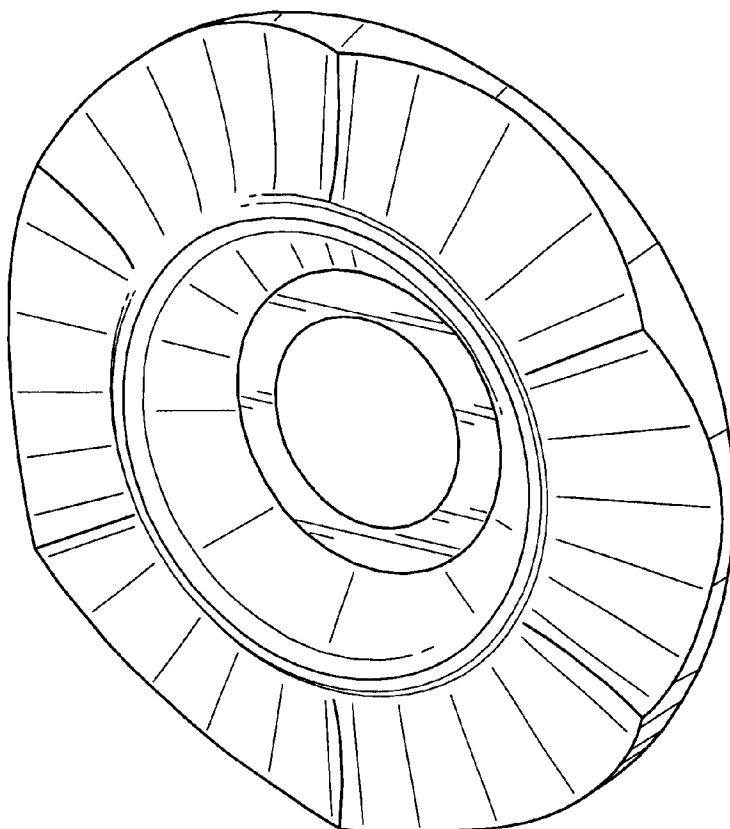
FIG. 1 is a perspective view of the new design for a shower handle flange;
 FIG. 2 is a front elevational view of the new design for a shower handle flange;
 FIG. 3 is a rear elevational view of the new design for a shower handle flange;
 FIG. 4 is a top elevational view of the new design for a shower handle flange, the bottom view being a mirror image; and,
 FIG. 5 is a right side elevational view of the new design for a shower handle flange, the left side view being a mirror image.

(56) **References Cited**

U.S. PATENT DOCUMENTS

D77,334 S	12/1928	Thompson	
D78,619 S	5/1929	Frankenberger	
D82,360 S	10/1930	Albert	
D84,900 S	* 8/1931	Moran D23/213
D87,757 S	9/1932	Pope	
D87,830 S	9/1932	Ferguson	
D90,353 S	7/1933	Balton	
D228,061 S	* 8/1973	Kartarik D8/350
D231,329 S	4/1974	Levy	
D277,537 S	2/1985	Merl et al.	
D284,687 S	* 7/1986	Doman et al. D23/249

1 Claim, 5 Drawing Sheets



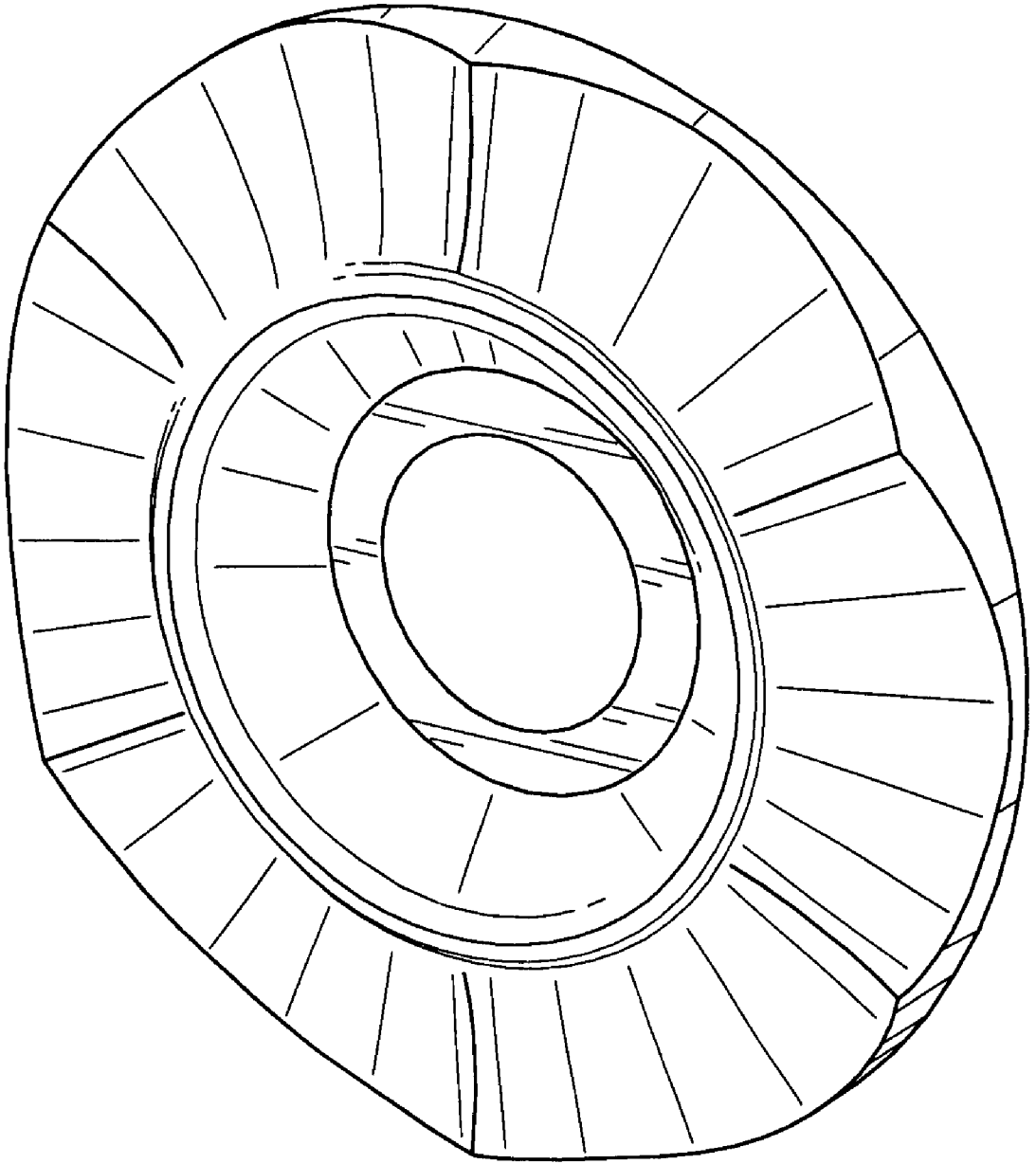


FIG. 1

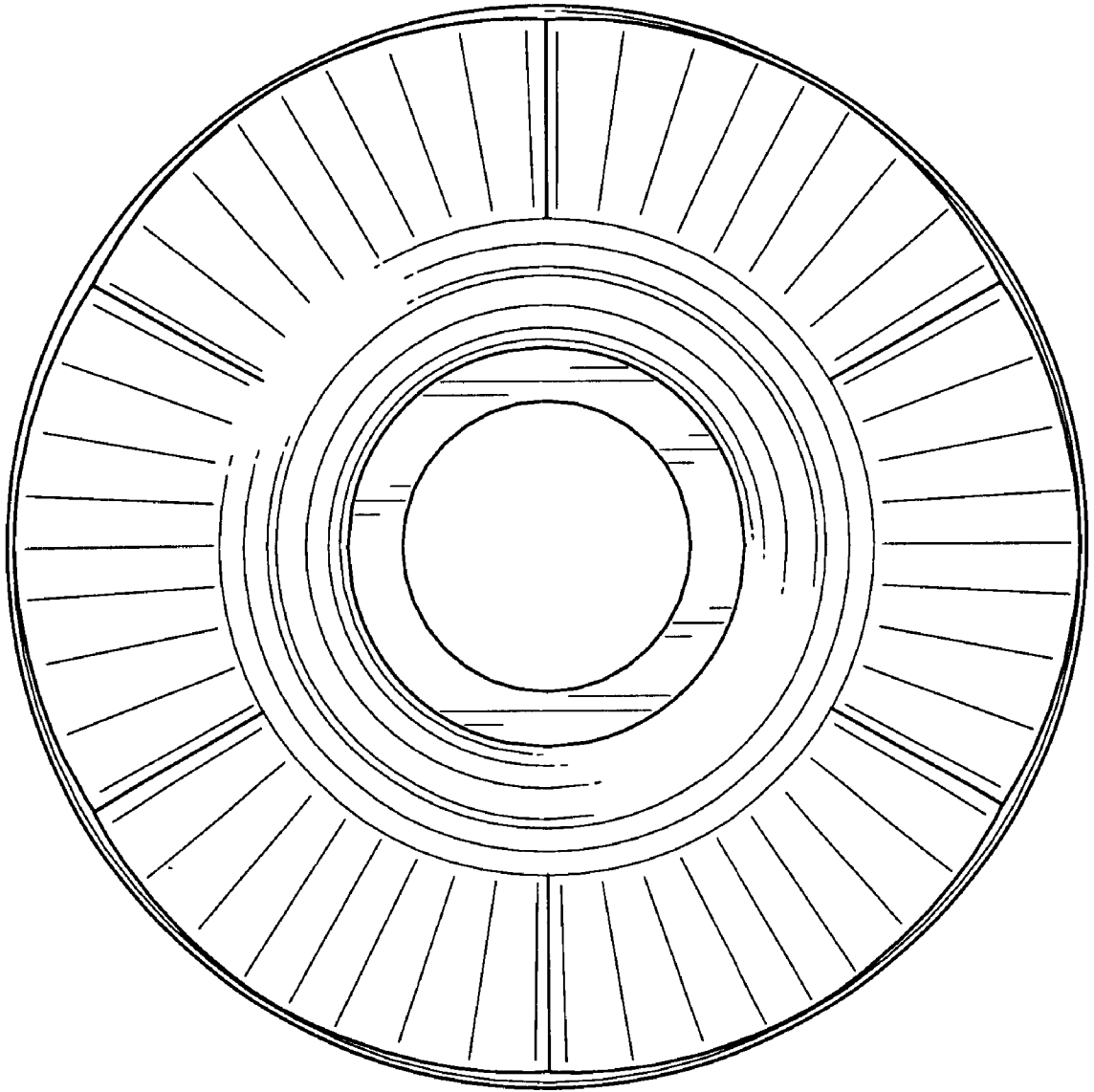


FIG. 2

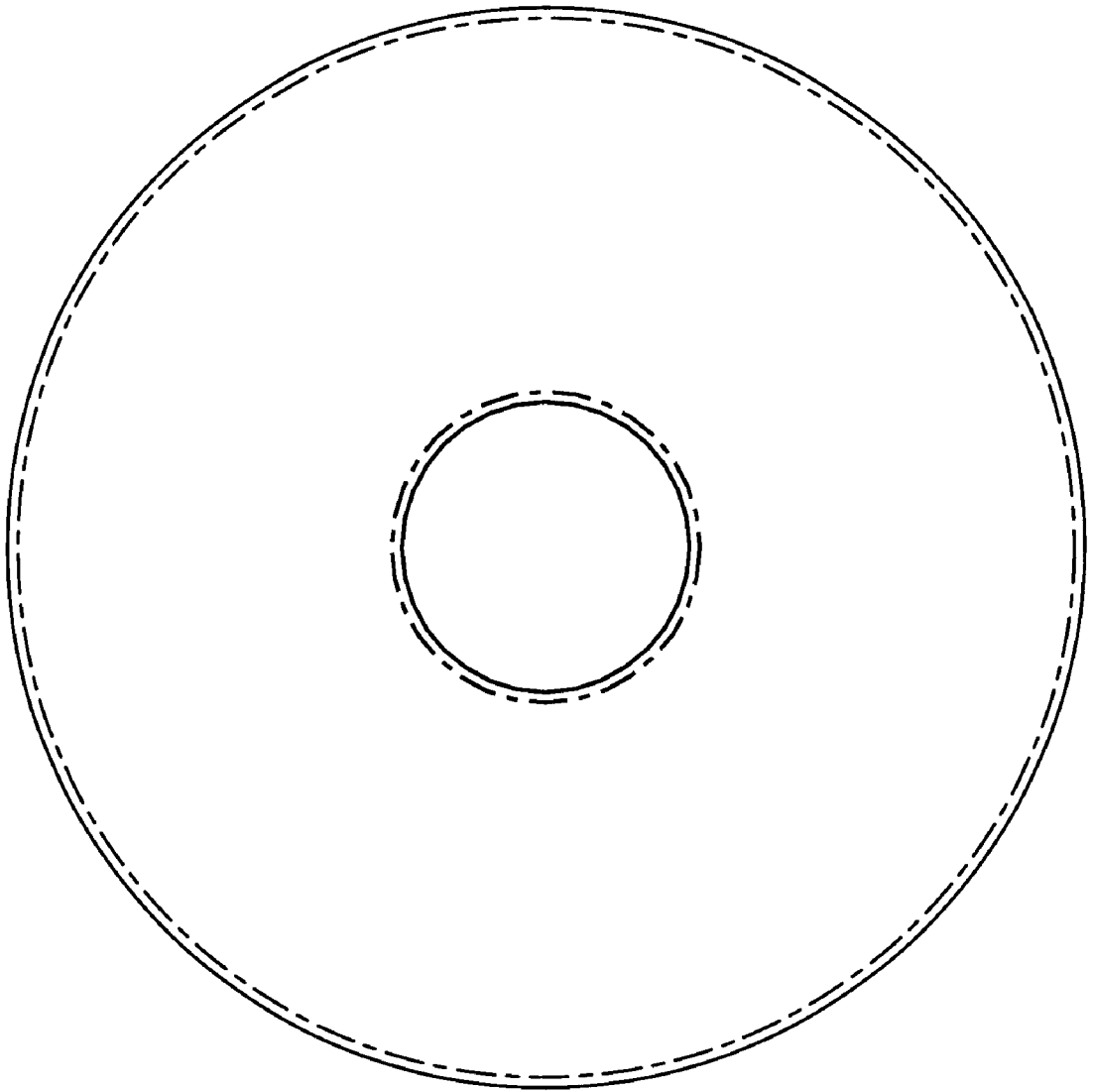


FIG. 3

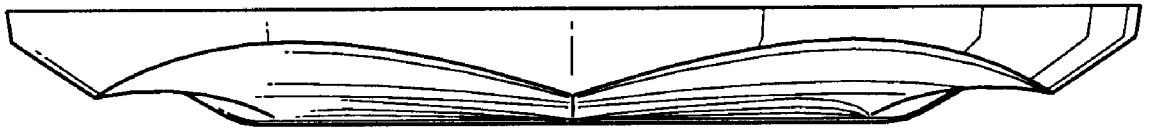


FIG. 4

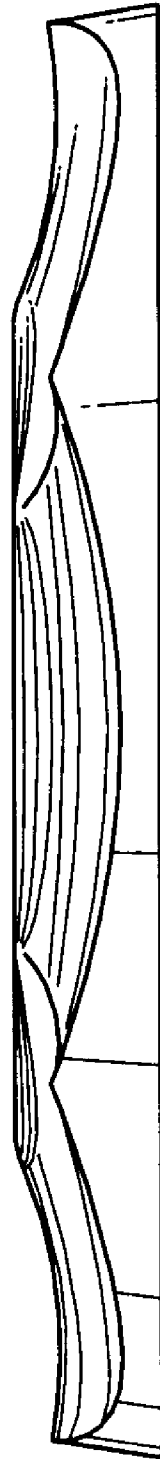


FIG. 5