

(19) World Intellectual Property Organization  
International Bureau



(43) International Publication Date  
24 July 2003 (24.07.2003)

PCT

(10) International Publication Number  
**WO 03/059449 A1**

(51) International Patent Classification<sup>7</sup>: **A61N 7/02**

[SE/SE]; Örnvägen 35, S-227 31 Lund (SE). **LARSSON, Kaj** [SE/SE]; Getingevägen 46, S-222 41 Lund (SE).

(21) International Application Number: PCT/SE03/00046

(74) Agents: **ÅKERMAN, Märten** et al.; c/o Albihns Malmö AB, P.O. Box 4289, S-203 14 Malmö (SE).

(22) International Filing Date: 15 January 2003 (15.01.2003)

(25) Filing Language: English

(81) Designated States (*national*): AE, AG, AL, AM, AT, AU, AZ, BA, BB, BG, BR, BY, BZ, CA, CH, CN, CO, CR, CU, CZ, DE, DK, DM, DZ, EC, EE, ES, FI, GB, GD, GE, GH, GM, HR, HU, ID, IL, IN, IS, JP, KE, KG, KP, KR, KZ, LC, LK, LR, LS, LT, LU, LV, MA, MD, MG, MK, MN, MW, MX, MZ, NO, NZ, OM, PH, PL, PT, RO, RU, SC, SD, SE, SG, SK, SL, TJ, TM, TN, TR, TT, TZ, UA, UG, US, UZ, VC, VN, YU, ZA, ZM, ZW.

(26) Publication Language: English

(30) Priority Data:  
0200089-1 15 January 2002 (15.01.2002) SE

(71) Applicant (*for all designated States except US*): **ULTRA-ZONIX DNT AB** [SE/SE]; Krossverksgatan 3, S-216 16 Malmö (SE).

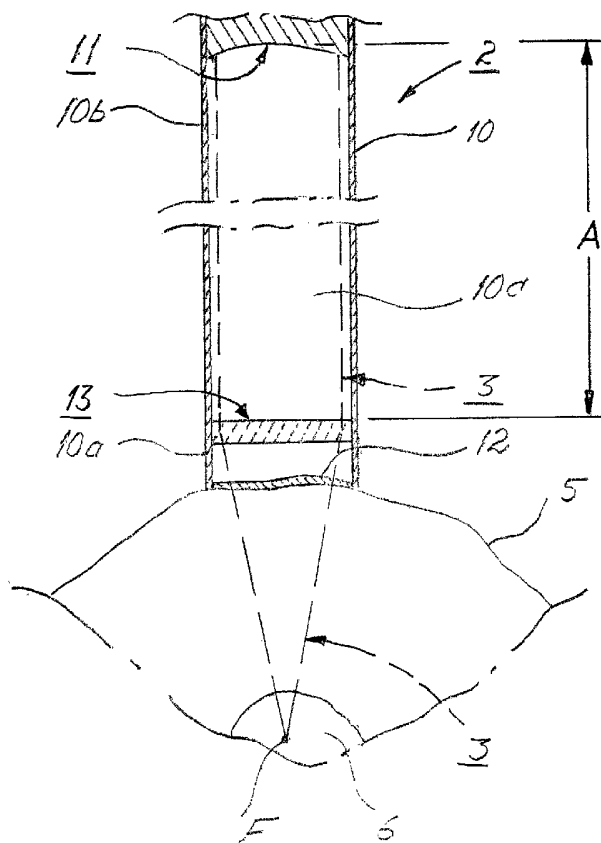
(84) Designated States (*regional*): ARIPO patent (GH, GM, KE, LS, MW, MZ, SD, SL, SZ, TZ, UG, ZM, ZW), Eurasian patent (AM, AZ, BY, KG, KZ, MD, RU, TJ, TM), European patent (AT, BE, BG, CH, CY, CZ, DE, DK, EE, ES, FI, FR, GB, GR, HU, IE, IT, LU, MC, NL, PT, SE, SI,

(72) Inventors; and

(75) Inventors/Applicants (*for US only*): **LIDGREN, Lars**

[Continued on next page]

(54) Title: DEVICE FOR MINI-INVASIVE ULTRASOUND TREATMENT OF AN OBJECT BY A HEAT-ISOLATED TRANSDUCER



(57) Abstract: The present invention relates to a device for mini-invasive ultrasound treatment of an object. At least one therapeutic ultrasound transducer (2) is arranged for treatment of the object (5) by generating an ultrasonic field (3), the temperature focus (F) of which is located in the object (5) for heating thereof. The therapeutic ultrasound transducer (2) comprises a probe (10) adapted to be inserted into the body in the direction towards the object (5) and comprises a front portion (10a) adapted to be located at, against or in the object (5). Said probe (10) comprises at least one transmitter element (11) for generating said ultrasonic field (3). The transmitter element (11) for generating the ultrasonic field (3) is arranged behind the front portion (10a) such that the transmitter element (11) does not heat or substantially not heat the front portion (10a) when in operation.



WO 03/059449 A1



SK, TR), OAPI patent (BF, BJ, CF, CG, CI, CM, GA, GN, GQ, GW, ML, MR, NE, SN, TD, TG).

**Published:**

— *with international search report*

**Declarations under Rule 4.17:**

- *as to applicant's entitlement to apply for and be granted a patent (Rule 4.17(ii)) for all designations*
- *of inventorship (Rule 4.17(iv)) for US only*

*For two-letter codes and other abbreviations, refer to the "Guidance Notes on Codes and Abbreviations" appearing at the beginning of each regular issue of the PCT Gazette.*

DEVICE FOR MINI-INVASIVE ULTRASOUND TREATMENT OF AN OBJECT BY  
A HEAT-ISOLATED TRANSDUCER

The present invention relates to a device for mini-invasive ultrasound  
5 treatment of an object of a patient, wherein at least one therapeutic ultrasound  
transducer is arranged for treatment of the object by generating an ultrasonic field  
having a temperature focus located in the object for heating thereof, wherein the  
therapeutic ultrasound transducer comprises a probe adapted to be inserted into the  
body in the direction towards the object to be treated, and comprises a front portion  
10 adapted to be placed at, against or in the object and whereby said probe comprises  
at least one transmitter element for generating said ultrasonic field, which  
transmitter element is allowed to be heated in operation.

The intervertebral disc consists of an outer fibrous tissue ring, annulus  
fibrosus, and an inner, more viscous part, nucleus pulposus. The disc functions as a  
15 shock absorber and if annulus fibrosus breaks, e.g. by a small fissuring, disc matter  
may find its way out and cause a compression of nerve roots and induce an  
inflammatory reaction.

Prolapsed intervertebral discs have been treated surgically since the thirties  
by removal of the displaced disc matter and/or a part of the bulging disc. Later, the  
20 surgical treatment has developed towards less invasive operations and now,  
percutaneous techniques are used for removing disc matter. An alternative method  
for surgical treatment is chemonucleolysis, where the enzyme chymopapain is  
injected into nucleus pulposus, the central part of the disc. The enzyme polymerizes  
the long proteoglycan chains in nucleus pulposus with subsequent loss of the  
25 hygroscopicity. This reduces the volume and pressure in nucleus pulposus and the  
bulging part of the disc, which explains the pain relief patients with sciatica  
experience after chemonucleolysis. The method has proven to give pain relief in 75  
per cent of the cases and has a well documented cost efficiency. Unfortunately, the  
method has caused serious allergic reactions in about 1 per cent of the cases. Next  
30 step in the development could be a non-invasive treatment of prolapsed inter-

vertebral discs, which preferably should be painless, avoid the risk for infections and carried through ambulatory.

A method for thermotherapy and coagulation of tissue involves use of focused ultrasound with high intensity. The ultrasound passes well through soft tissue and can be focused on remote spots within a surface of a few millimeters. The energy absorption in the tissue increases the temperature with a sharp temperature gradient such that the boundaries of the treated volume are clearly limited without causing any damages on the surrounding tissue (US 5 291 890, US 5 501 655). Ultrasound treatment of prolapsed intervertebral discs is previously known (EP 0 872 262).

Heat treatment of discs has proven successful in a method called IDET (US 6 073 051, US 6 007 570, US 5 980 504). The method has as its aim to insert a catheter into the disc by means of a cannula. Farthest out on the catheter there is a coil which is heated by applying a radio frequency voltage thereon (US 5 785 705). The heat is increased to about 90°C in nucleus pulposus where the heating element of the catheter has been located and treatment is carried through for 15 minutes.

Surgery with focused ultrasound has several advantages compared with other thermal techniques. The focus can be made movable and the energy can be supplied during short time intervals. The limitation of ultrasound is its absorption in bone and its poor penetration through gasfilled passages. Clinical applications of ultrasound surgery are today mostly used in ophthalmic surgery, urology and oncology. The effect of ultrasound can be divided into thermal and non-thermal effects.

The thermal effects of ultrasound are caused by absorption of ultrasound in the tissue. This leads to a temperature increase which is dependent on the parameters of the ultrasound (frequency and intensity) and the acoustic properties of the tissue. The absorption of ultrasound in musculoskeletal tissues increases with the apatite and protein content, which means high absorption in bone, cartilage, tendons and ligaments. Water however, has a low ultrasound absorption capacity and can for this reason be used as an acoustic medium between the ultrasound transducer and the tissue. Higher absorption can be expected in annulus fibrosus

(high collagen content) than in nucleus pulposus (high water concentration). This will lead to higher temperatures in the outer part of the intervertebral disc than in the central part. In order to avoid that the temperature in annulus fibrosus exceeds a detrimental level at the same time as the temperature in nucleus pulposus reaches a sufficient level, the ultrasound can be transmitted from several ultrasound sources. In this manner, the fields will overlap each other and increase the effect in nucleus pulposus at the same time as the intensity in the surrounding tissue including annulus fibrosus can be kept low.

In mini-invasive ultrasound treatment, the therapeutic ultrasound transducer is inserted through a small cut in the skin of the patient and moved towards the object to be treated. Since the ultrasound transducer is heated during operation, a risk exists that the tissue close to the treatment area is exposed to unacceptable high heat influence.

The object of the present invention is to overcome the above-mentioned heat problem. This is achieved according to the invention by means of a device mainly having the characterizing features of subsequent claim 1.

By means of a transmitter element arranged in a rear portion behind a front portion of the probe, which front portion is to be located at, against or in the object to be treated, it is achieved that the transmitter element does not heat or substantially not heat said front portion, i.e. one achieves a thermal insulation between the transmitter element, which is heated during ultrasound generation, and the tissue at which the front portions of the probe are located during the treatment.

The invention will be further described below with reference to the accompanying drawings, in which

Fig. 1 schematically shows a constructive embodiment of the device according to the invention;

Fig. 2 schematically shows parts of a therapeutic ultrasound transducer comprised in a device according to Fig. 1; and

Fig. 3 schematically shows a calibrating device which can be comprised in a device according to Fig. 1.

The treatment device 1 schematically illustrated in fig. 1 is intended for

producing, by means of at least one therapeutic ultrasound transducer 2 (so called therapeutic transducer), an ultrasonic field 3, the temperature focus F of which is intended to be located in an object 5 of the patient 4 for treatment thereof. The object can for example be the nucleus pulposus 6 in an intervertebral disc 5 of the patient 4, but it can also be another object such as a ligament in e.g. a shoulder, knee, elbow or a foot. However, in the description text below reference will be made to the treatment of a disc.

The therapeutic ultrasound transducer 2 is in this example intended to be inserted through the patient's 4 skin, e.g. by means of a cut or by means of a cannula, and contact the disc 5, preferably annulus fibrosus 8, to achieve a local temperature increase in nucleus pulposus 6 so that enzymes such as collagenase present in the disc are activated and cause decomposition of collagen and proteoglycans, which results in shrinking of nucleus pulposus 6 primarily because of less hygroscopicity. A heating to for example 60 – 70 degrees Celsius can directly achieve a destruction – a change in the structure of proteoglycane. The therapeutic ultrasound transducer 2 can be placed against the disc 5 without perforating the annulus fibrosus 8 and from there transmit the ultrasonic field 3 focused in the temperature focus F towards the treatment volume.

The therapeutic ultrasound transducer 2 comprises a probe 10, which preferably is an elongated probe 10. The front portion or portions 10a of the probe 10 can be positioned in contact with the disc 5. At least one transmitter element 11, e.g. a piezoelectric element, is arranged in such a portion 10b, herein called a rear portion 10b, of the probe 10 which is located behind said front portion 10a such that the transmitter element 11 heated during operation does not heat or substantially not heat the front portion 10a of the probe 10 or the tissue surrounding said front portion 10a.

According to an embodiment of the invention, the electronics is located in or attached to such part of the probe, i.e. in the rear portion of the probe, which is arranged on the outside of the patient during treatment. Thus no or a reduced amount of electronics is located inside the patient during treatment.

The front portion 10a of the probe 10 is preferably configured to be

thermally insulating. For example, the front portion 10a can be manufactured of or comprise Pyrex<sup>TM</sup> or another suitable material.

The front portion 10a of the probe 10 can be closed in the front part, e.g. by means of a flexible wall 12 of suitable material. Further, the front portion 10a of the probe 10 can comprise or be attached to a focussing device 13 in order to focus the ultrasound field 3 generated by the transmitter element 11. Said focussing device 13 can for example be arranged adjacent the flexible wall 12.

The distance A between the transmitter element 11 and the focussing device 13 can be in the range of 0,5 – 20 centimeters and preferably in the range of 1 – 18 centimeters.

A space 10c in the probe 10 between the transmitter element 11 and the focussing device 13 can be arranged to and/or comprise such material that only small power losses of the ultrasonic field 3 arise therein.

If said space 10c comprises material, the material can be adapted to exert a focusing effect on the ultrasonic field 3 either alone or together with the focussing device 13.

The treatment device 1 can comprise a rigid tube 18 with associated inner portion and several position transmitters 19, preferably at least three such transmitters. The tube 18 can, by means of optical navigation technique, be inserted towards the object 5 to be treated. It can for example be inserted dorsolaterally towards the disc 5. The inner portion of the tube 18 is then replaced by the therapeutic ultrasound transducer 2 and said tube 18 is schematically illustrated in fig. 1 with broken lines.

The treatment device 1 can also comprise an optical navigating device 20 for navigation of the therapeutic ultrasound transducer 2 (US 5 772 594). This optical navigating device 20 comprises at least one diagnostic camera 21 which is adapted to produce at least one image of the anatomical structure 23 of the treatment area 22 in a monitor 24. The diagnostic camera 21 can be an X-ray camera 25 taking two pictures of the anatomical structure 23 of the treatment area 22 from different directions with preferably a 90° intermediate angle and displaying these pictures in the monitor 24. At the optical navigating device 20, the X-ray camera 25 is used

together with an optical analog-digital-converter for obtaining a real time image in the monitor 24 of the position and direction of the therapeutic ultrasound transducer 2 (US 6 021 343, US 5 834 759, US 5 383 454).

The X-ray camera 25 comprises a positioning device 26 – e.g. a cylindrical cover – which is located in front of the object of the X-ray camera 25 and having markers 27 the mutual distances of which are known. The markers 27 can be round and consist of a metallic material e.g. tantalum.

In the optical navigating device 20, a reference device 28 can further be comprised. In the case of treatment of a disc, the reference device 28 is arranged to be attached to the spinous process 30 of a vertebra 29 or in a corresponding position such that it gets a determined position relative to the treatment area 22. The reference device 28 can comprise several position transmitters 31, preferably at least three, and these can consist of metallic material, e.g. tantalum.

The therapeutic ultrasound transducer 2 can comprise a plurality, preferably three or more, position transmitters 7 to determine its position.

Furthermore, the optical navigating device 20 can comprise a signal receiving and/or signal sending unit 32. This unit can comprise a suitable number of signal receivers 33, 34 for receiving signals from the position transmitters 7 and 31 of the therapeutic ultrasound transducer 2 and the reference device 28, respectively. The signal receiving and/or signal sending unit 32 can possibly comprise one or more signal transmitters 35 for transmitting signals to said position transmitters 7 and 31, which are arranged to receive these signals.

The signals transmitted by the position transmitters 7 and 31 can e.g. be in the form of infrared light or visible light or radio frequency electromagnetic waves or acoustic waves and the signal receivers 33, 34 can in such case be receivers of infrared light or visible light or radio frequency electromagnetic waves or acoustic waves.

In the treatment device 1 there can also be included a calibrating unit 37 for calibrating the temperature effect of the temperature focus F of the therapeutic ultrasound transducer 2. The calibrating unit 37 has one or more thermoelements 38 by means of which the effect at said temperature focus F can be measured for



calibration. The thermoelements 38 are connected to a schematically illustrated measuring device 39.

The calibrating unit 37 can be arranged to measure the output power by means of the echo of an ultrasound transducer, which ultrasound transducer can be a  
5 separate one. The calibrating unit 37 can further be arranged to measure the echo  
from the therapeutic ultrasound transducer 2.

Prior to treatment of the disc 5, preferably nucleus pulposus 6, the reference device 28 can be located on the patient's 4 vertebra 29 and the therapeutic ultrasound transducer 2 is calibrated in the calibrating unit 37.

10 Two X-ray images can be taken of the patient's 4 anatomical structure 23 at the disc 5 and these X-ray images are displayed on the monitor 24. On these X-ray images, the position of the reference device 28 relative to the disc 5 can then be determined by means of the markers 27 of the positioning device 26.

During treatment of the disc 5, preferably nucleus pulposus 6, the therapeutic  
15 ultrasound transducer 2 can be navigated by means of the signal receiving or signal sending unit 32, whereby the navigation is presented in the X-ray images on the monitor 24. This is accomplished in that the position transmitters 7 of the therapeutic ultrasound transducer 2 cooperating through signals with the signal transmitters 33, 34 of the signal receiving or signal sending unit 32. By means of  
20 said navigation, the therapeutic ultrasound transducer 2 can be positioned such that the temperature focus F of its ultrasonic field 3 will fall in the disc 5, preferably nucleus pulposus 6. The temperature in the temperature focus F preferably exceeds 45°C.

The treatment can be automatically interrupted if the patient 4 moves to an  
25 incorrect position relative to the therapeutic ultrasound transducer 2 or vice versa.

The invention is not limited to the method described above, but can vary within the scope of the following claims. Thus, the object 5 can be another object in the body than a disc that is to be treated and the disc can be any disc in the body.

The diagnostic camera 21 can be a computerized tomography (CT) scanner  
30 which is arranged to produce images of said anatomical structure 23 and these images can be processed in a computer program or software for obtaining a 3D-

image in the monitor 24. The diagnostic camera 21 can alternatively be an X-ray camera or a magnetic resonance imaging (MRI) camera, which is arranged to generate images of said anatomical structure 23 and these images can be processed in a computer program for obtaining a 3D-image in the monitor 24.

5           The therapeutic ultrasound transducer 2 can be arranged to be positioned manually or be arranged at a positioning device 40 for positioning the same relative to the disc 5 to be treated.

          The probe 10 can be provided with a cooling device (not shown) comprising channels conducting cooling liquid around the tip of the probe 10, which tip can be  
10 provided with a membrane. However, according to another embodiment of the invention, the tip of the probe is not provided with a membrane. In such an embodiment the tip of the probe can be located adjacent to the object to be treated and the cooling liquid can be conducted around the tip in the space between the tip and the object to be treated.

15           The described apparatus can be used in methods for treatment of discs but also for treatment of other objects in the body. As examples of such other objects can be mentioned ligament in for example shoulders, knees, elbows or feet.

          Further, it should be understood that dependent on the object to be treated different steps and components described above can be excluded. The optical  
20 navigation device and/or the reference device can for example be excluded in the case of treatment of a ligament in e.g. knee since this structure has a site more easy to determine than for example an intervertebral disc.

## CLAIMS

1. Device for mini-invasive ultrasound treatment of an object, wherein at least one therapeutic ultrasound transducer (2) is arranged for treatment of the object (5) by generating an ultrasonic field (3), the temperature focus (F) of which is located in the object (5) for heating thereof; wherein the therapeutic ultrasound transducer (2) comprises a probe (10) adapted to be introduced into the body towards the object (5) to be treated and comprises a front portion (10a) adapted to be located at, against or in the object (5); and wherein said probe (10) comprises at least one transmitter element (11) for generating said ultrasonic field (3), **characterized in** that said transmitter element (11) is arranged in a rear portion (10b) behind the front portion (10a) of the probe (10), and in that said front portion (10a) is configured to be thermally insulating, whereby the transmitter element (11) does not heat or substantially not heat the front portion (10a) during operation.
2. Device according to claim 1, **characterized in** that the front portion (10a) of the probe (10) comprises a focussing device (13) for focussing the ultrasonic field (3) generated by the transmitter element (11).
3. Device according to claim 2, **characterized in** that the distance (A) between the transmitter element (11) and the focussing device (13) for focussing the ultrasonic field (3) in temperature focus (F) is in the range of 0,5 – 20 centimeters.
4. Device according to claim 3, **characterized in** that the distance (A) between the transmitter element (11) and the focussing device (13) for focussing the ultrasonic field (3) in temperature focus (F) is in the range of 1 - 18 centimeters.
5. Device according to any of the claims 2 – 4, **characterized in** that the probe (10), in a space (10c) between the transmitter element (11) and the focussing device (13) for focussing the ultrasonic field (3) in the temperature focus (F), is

configured and/or comprises a material such that only small power losses in the ultrasonic field (3) is obtained therein.

6. Device according to any of the claims 2 – 5, **characterized in** that the probe  
5 (10), in a space (10c) between the transmitter element (11) and the focussing device (13) for focussing the ultrasonic field (3) in the temperature focus (F), comprises a material adapted to exert a focussing effect on the ultrasonic field (3) together with the focussing device (13).
- 10 7. Device according to any preceding claim, **characterized in** that an optical navigation device (20) comprises at least one diagnostic camera (21) arranged to generate at least one image of the anatomical structure (23) of the treatment area (22) within which the object (5) to be treated is located.
- 15 8. Device according to claim 7, **characterized in** that the diagnostic camera (21) is an X-ray camera (25).
9. Device according to claim 8, **characterized in** that the X-ray camera (25) comprises a positioning device (26) with markers (27) which are intended to  
20 determine the position of the anatomical structure (23) displayed in a monitor (24) and present at the patient's (4) disc (5) to be treated.
10. Device according to claim 9, **characterized in** that the monitor (24) is arranged to display two X-ray photographs of said anatomical structure (23) taken with  
25 the X-ray camera (25) from two different locations.
11. Device according to claim 7, **characterized in** that the diagnostic camera (21) is a computerized tomography (CT) scanner which is arranged to produce images of the anatomical structure (23) at the patient's (4) object (5) to be treated, which  
30 images being processed in a computer program (software) for obtaining a 3D-

image in a monitor (24).

12. Device according to claim 7, **characterized in** that the diagnostic camera (21) is an X-ray camera or a MRI scanner which is arranged to produce images of the anatomical structure (23) at the patient's (4) object (5) to be treated, which  
5 images being processed in a computer program (software) for obtaining a 3D-image in a monitor (24).

13. Device according to any of claims 7 - 12, **characterized in** that that the optical  
10 navigating device (20) further comprises at least one signal receiving or signal sending unit (32) which is intended to receive signals from and/or send signals to position transmitters (31, 7) on  
a) a reference device (28) which has a set position relative to the object (5) and  
b) the therapeutic ultrasound transducer (2) such that the position thereof  
15 relative to said treatment area (22) can be determined.

14. Device according to claim 13, **characterized in** that the signal receiving or signal sending unit (32) is arranged to receive or send signals in the form of infrared light or visible light or radio frequency electromagnetic waves or  
20 acoustic waves and that said position transmitters (7, 31) are arranged to send or receive signals in the form of infrared light or visible light or radio frequency electromagnetic waves or acoustic waves.

15. Device according to claim 13 or 14, **characterized in** that the reference device  
25 (28) is attached to a vertebra (29) in the patient's vertebral column, preferably to the spinal process (30) of said vertebra (29).

16. Device according to any of claim 13 – 15, **characterized in** that the reference device (28) comprises position transmitters (31) consisting of metallic balls,  
30 preferably tantalum balls.

17. Device according to claim 16, **characterized in** that the signal receiving or signal sending unit (32) of the optical navigating device (20) is at least one X-ray device.
- 5 18. Device according to any of claim 7 - 17, **characterized in** that that a tube (18) with an associated inner portion is insertable towards the object (5) to be treated and that said inner portion is intended to be replaced by the therapeutic ultrasound transducer (2).
- 10 19. Device according to claim 18, **characterized in** that that said tube (18) is navigatable by means of the optical navigating device (20) through the skin of the patient (4) and brought into contact with the object (5) to be treated.
- 15 20. Device according to any preceding claim, **characterized in** that the temperature in the temperature focus (F) of the therapeutic ultrasound transducer (2) exceeds 45°C.
- 20 21. Device according to any preceding claim, **characterized in** that a calibrating device (37) is arranged for calibrating the power emitted by the therapeutic ultrasound transducer (2) in the temperature focus (F) of said therapeutic ultrasound transducer (2) and/or the position of said temperature focus (F) relative to the transmitter element (11) of the therapeutic ultrasound transducer (2).
- 25 22. Device according to claim 21, **characterized in** that the calibrating device (37) is arranged to measure the emitted power by means of the echo of an ultrasound transmitter.
23. Device according to claim 22, **characterized in** that the calibrating device (37) is arranged to measure the echo from the therapeutic ultrasound transducer (2).

24. Device according to any preceding claim, **characterized in** that the probe (10) is provided with a cooling device comprising channels conducting cooling liquid around the tip of the probe (10), which tip is provided with a membrane.
- 5 25. Device according to any preceding claim, **characterized in** that the device is arranged for mini-invasive ultrasound treatment of an object (5) in the form of nucleus pulposus (6) in the patient's (4) disc.
- 10 26. Device according to claim 25, **characterized in** that the therapeutic ultrasound transducer (2) is arranged to be inserted through the patient's (4) skin through a cut therein or by means of a cannula and brought into contact with the disc which annulus fibrosus (8) is to be treated.
- 15 27. Device according to any of the claims 1 – 24, **characterized in** that it is arranged for mini-invasive ultrasound treatment of objects (5) in the form of ligaments in shoulders or knees.
- 20 28. Device according to any of the preceding claims, **characterized in** that electronics is located in or attached to the rear portion (10b) of the probe (10b) and arranged on the outside of the patient during treatment.
- 25 29. Use of a device according to any of the preceding claims, **characterized in** that it is used in methods for treatment of an object (5) in a patient's (4) body, such as for treatment of nucleus pulposus (6) in discs or ligaments in for example shoulders or knees.

Fig.1

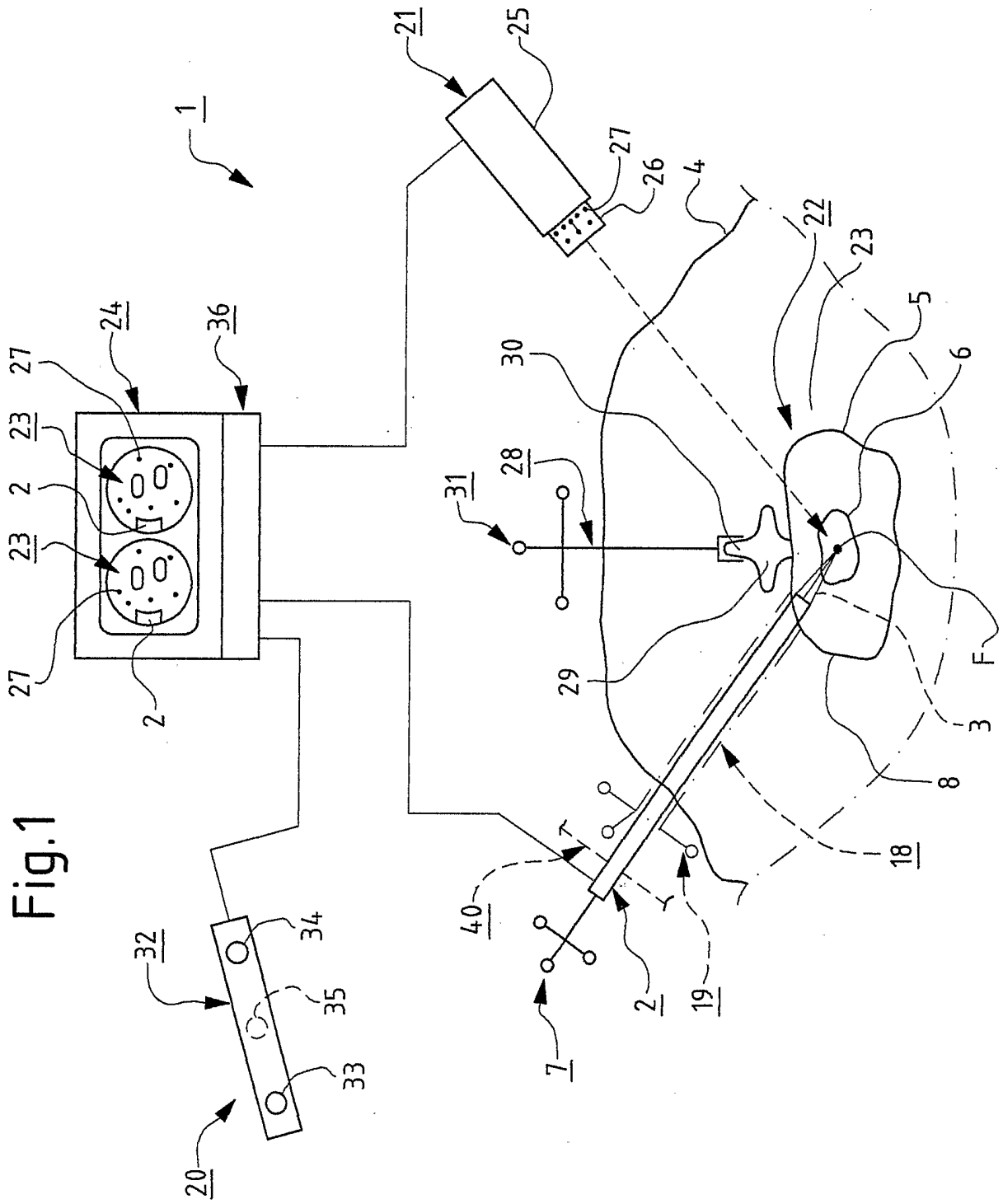




Fig. 2

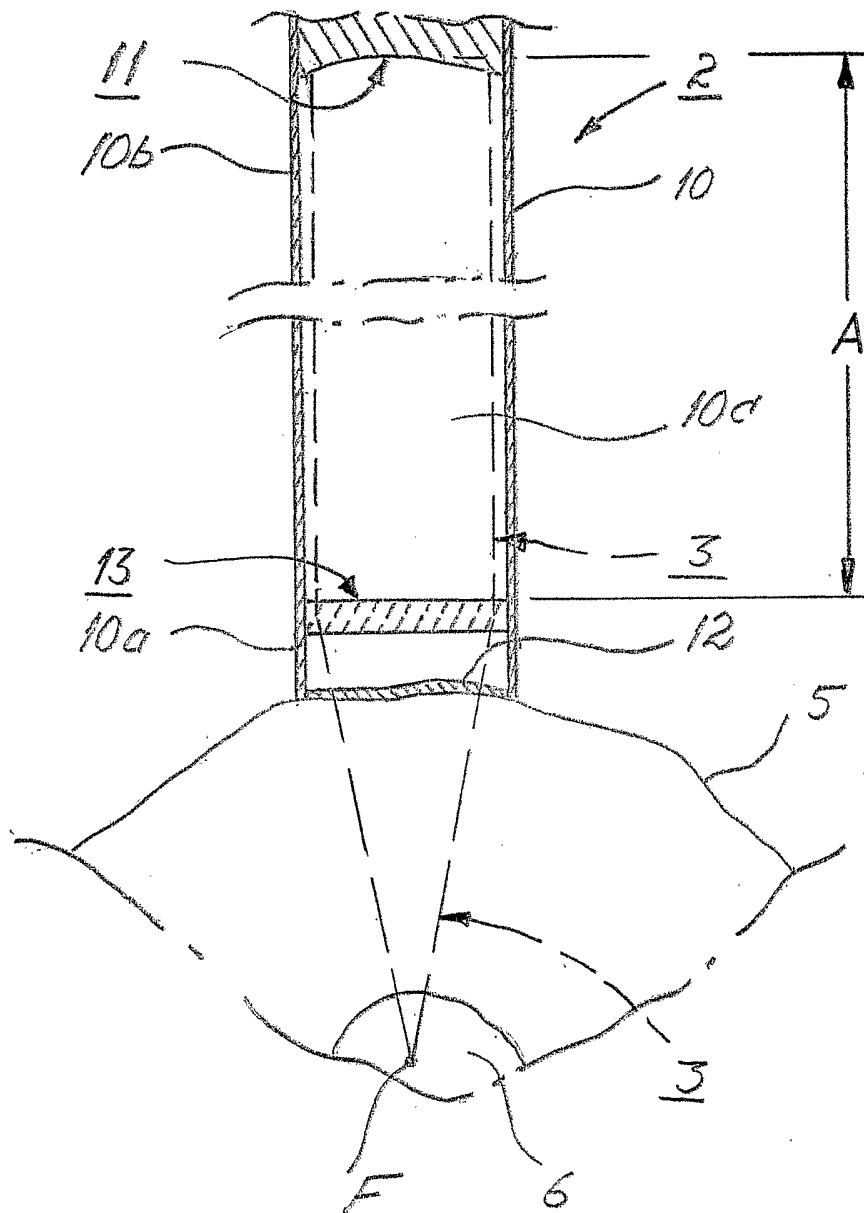
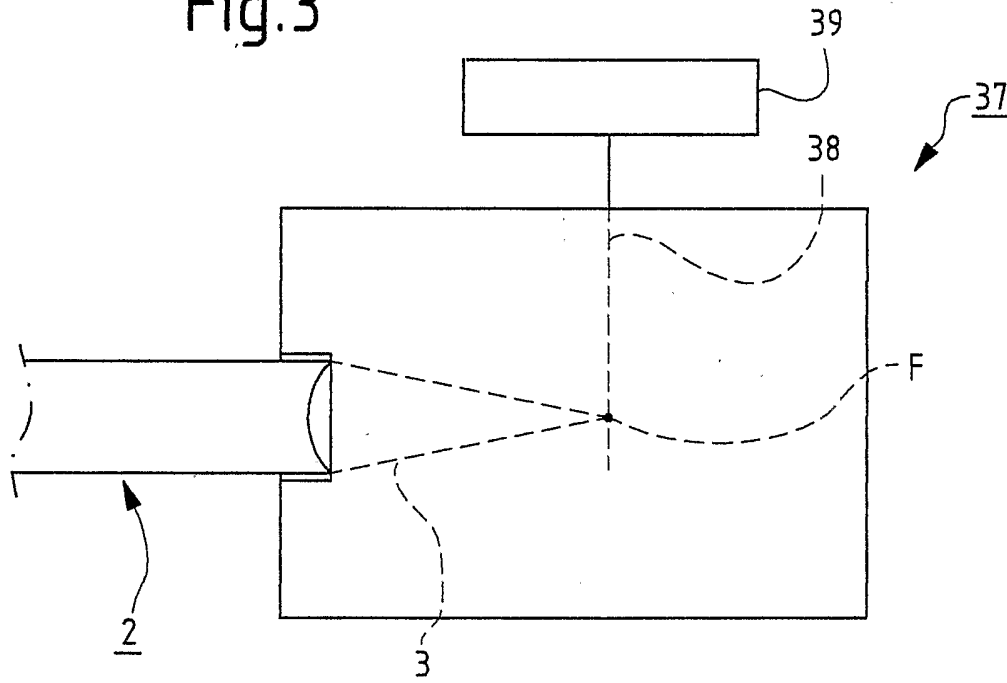


Fig.3



## INTERNATIONAL SEARCH REPORT

International application No.

PCT/SE 03/00046

## A. CLASSIFICATION OF SUBJECT MATTER

IPC7: A61N 7/02

According to International Patent Classification (IPC) or to both national classification and IPC

## B. FIELDS SEARCHED

Minimum documentation searched (classification system followed by classification symbols)

IPC7: A61N

Documentation searched other than minimum documentation to the extent that such documents are included in the fields searched

SE,DK,FI,NO classes as above

Electronic data base consulted during the international search (name of data base and, where practicable, search terms used)

EPO-INTERNAL, WPI DATA, INSPEC

## C. DOCUMENTS CONSIDERED TO BE RELEVANT

Category*	Citation of document, with indication, where appropriate, of the relevant passages	Relevant to claim No.
X	WO 0023147 A1 (DORNIER MEDTECH HOLDING INTERNATIONAL GMBH), 27 April 2000 (27.04.00), page 10, line 19 - line 26, figures 2,3, claim 17 --	1-29
A	US 5620479 A (DIEDERICH, C.J.), 15 April 1997 (15.04.97), figure 2, abstract --	1-29
A	US 5733315 A (BURDETTE, E.C. ET AL), 31 March 1998 (31.03.98), figure 14, abstract --	1-29
E,A	WO 0205897 A1 (DIAGNOS NAVIGATION AND TREATMENT SCANDINAVIA AB), 24 January 2002 (24.01.02), figure 2, abstract --	1-29

 Further documents are listed in the continuation of Box C.
  See patent family annex.

\* Special categories of cited documents:

"A" document defining the general state of the art which is not considered to be of particular relevance

"E" earlier application or patent but published on or after the international filing date

"L" document which may throw doubts on priority claim(s) or which is cited to establish the publication date of another citation or other special reason (as specified)

"O" document referring to an oral disclosure, use, exhibition or other means

"P" document published prior to the international filing date but later than the priority date claimed

"T" later document published after the international filing date or priority date and not in conflict with the application but cited to understand the principle or theory underlying the invention

"X" document of particular relevance: the claimed invention cannot be considered novel or cannot be considered to involve an inventive step when the document is taken alone

"Y" document of particular relevance: the claimed invention cannot be considered to involve an inventive step when the document is combined with one or more other such documents, such combination being obvious to a person skilled in the art

"&amp;" document member of the same patent family

Date of the actual completion of the international search

11 April 2003

Date of mailing of the international search report

5-04-2003

Name and mailing address of the ISA/

Swedish Patent Office

Box 5055, S-102 42 STOCKHOLM

Facsimile No. +46 8 666 02 86

Authorized officer

Patrik Widerdal /OGU

Telephone No. +46 8 782 25 00

# INTERNATIONAL SEARCH REPORT

International application No.  
PCT/SE 03/00046

## Box I Observations where certain claims were found unsearchable (Continuation of item 1 of first sheet)

This international search report has not been established in respect of certain claims under Article 17(2)(a) for the following reasons:

1.  Claims Nos.: 29  
because they relate to subject matter not required to be searched by this Authority, namely:  
**see extra sheet**
  
2.  Claims Nos.:  
because they relate to parts of the international application that do not comply with the prescribed requirements to such an extent that no meaningful international search can be carried out, specifically:
  
3.  Claims Nos.:  
because they are dependent claims and are not drafted in accordance with the second and third sentences of Rule 6.4(a).

## Box II Observations where unity of invention is lacking (Continuation of item 2 of first sheet)

This International Searching Authority found multiple inventions in this international application, as follows:

1.  As all required additional search fees were timely paid by the applicant, this international search report covers all searchable claims.
2.  As all searchable claims could be searched without effort justifying an additional fee, this Authority did not invite payment of any additional fee.
3.  As only some of the required additional search fees were timely paid by the applicant, this international search report covers only those claims for which fees were paid, specifically claims Nos.:
  
4.  No required additional search fees were timely paid by the applicant. Consequently, this international search report is restricted to the invention first mentioned in the claims; it is covered by claims Nos.:

### Remark on Protest

- The additional search fees were accompanied by the applicant's protest.  
 No protest accompanied the payment of additional search fees.

INTERNATIONAL SEARCH REPORT

International application No.  
PCT/SE 03/00046

Claim 29 relates to methods for treatment of the human body by surgery and therapy. Thus the International Search Authority is not required to carry out an international search for this claim (Rule 39.1 (iv)). Nevertheless, a search has been executed for claims 29.

## INTERNATIONAL SEARCH REPORT

International application No.

PCT/SE 03/00046

Patent document cited in search report			Publication date	Patent family member(s)		Publication date
WO	0023147	A1	27/04/00	NONE		
US	5620479	A	15/04/97	US	5649973 A	22/07/97
				US	6216041 B	10/04/01
				US	2001029393 A	11/10/01
				US	5733315 A	31/03/98
				EP	0597463 A	18/05/94
				US	5391197 A	21/02/95
US	5733315	A	31/03/98	EP	0643982 A	22/03/95
				US	5391197 A	21/02/95
				US	5620479 A	15/04/97
				EP	0597463 A	18/05/94
				US	5649973 A	22/07/97
				US	6216041 B	10/04/01
				US	2001029393 A	11/10/01
WO	0205897	A1	24/01/02	AU	2719101 A	16/07/01
				AU	7120801 A	30/01/02
				EP	1272141 A	08/01/03
				NO	20030071 D	00/00/00
				SE	518764 C	19/11/02
				SE	0002678 A	18/01/02
				SK	9212002 A	08/10/02