



US00D769607S

(12) **United States Design Patent**  
**Martinson**

(10) **Patent No.:** **US D769,607 S**

(45) **Date of Patent:** **\*\* Oct. 25, 2016**

(54) **SHOE LACE**

(71) Applicant: **Daniel J. Martinson**, Medina, MN  
(US)

(72) Inventor: **Daniel J. Martinson**, Medina, MN  
(US)

(\*\*) Term: **14 Years**

(21) Appl. No.: **29/483,992**

(22) Filed: **Mar. 5, 2014**

(51) **LOC (10) Cl.** ..... **02-07**

(52) **U.S. Cl.**

USPC ..... **D2/978**

(58) **Field of Classification Search**

USPC ..... D2/946, 978; 24/712, 715.4, 715.5,  
24/715.6, 715.7

CPC ..... A43C 9/00; A43C 9/02; A43C 9/04;  
A43C 9/06; A43C 9/08; A43C 11/00; A43C  
11/002; A43C 11/004; A43C 11/006

See application file for complete search history.

(56) **References Cited**

**U.S. PATENT DOCUMENTS**

D33,445 S *	10/1900	Hiller	.....	D2/978
D35,875 S *	4/1902	Hiller	.....	D2/978
D38,993 S *	1/1908	Tweedie	.....	D2/978
1,649,027 A *	11/1927	Gunn	.....	A43C 1/02 24/715.3
2,141,801 A *	12/1938	Taft	.....	A43C 9/00 24/713
D130,512 S *	11/1941	Anderson	.....	24/715.4
4,858,282 A *	8/1989	DuPont, Jr.	.....	A43C 9/00 24/712

D346,895 S *	5/1994	Martin	.....	D2/978
D442,361 S *	5/2001	Chen	.....	D2/978
D453,617 S *	2/2002	Rosso	.....	D2/978
D453,618 S *	2/2002	Rosso	.....	D2/978
D453,619 S *	2/2002	Rosso	.....	D2/978
D591,037 S *	4/2009	Ghee	.....	D2/978
D594,643 S *	6/2009	Moore	.....	D2/978
7,549,201 B2	6/2009	Kraft	.....	
D604,941 S *	12/2009	Mouton	.....	D2/978
D606,296 S *	12/2009	Mouton	.....	D2/978
D669,676 S *	10/2012	Nakamura	.....	D2/978
D714,044 S *	9/2014	Lee	.....	D2/978
D718,041 S *	11/2014	McAndrew	.....	D2/978
D727,009 S *	4/2015	Aleshka	.....	D2/978
D734,605 S *	7/2015	Van Der Pol	.....	D2/978
D736,514 S *	8/2015	Lach	.....	D2/978

\* cited by examiner

*Primary Examiner* — Elizabeth J Oswecki

(74) *Attorney, Agent, or Firm* — Geiser Law, PLLC; Greg N. Geiser

(57) **CLAIM**

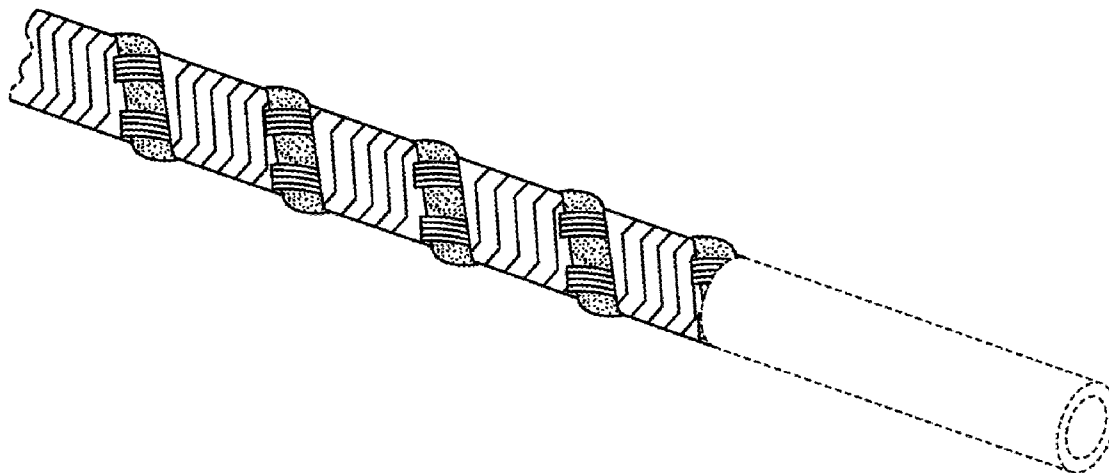
The ornamental design for a shoe lace, as shown and described.

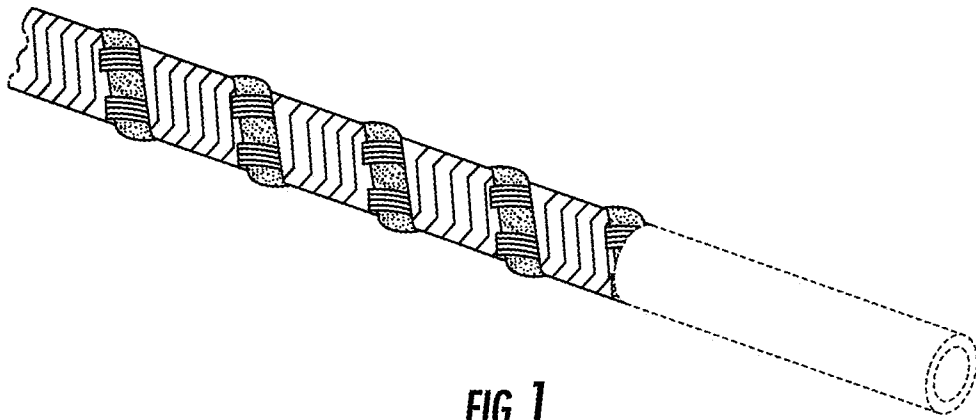
**DESCRIPTION**

FIG. 1 is a perspective view of a first embodiment of a shoe lace showing my new design; FIG. 2 is a side view thereof; FIG. 3 is a perspective view of a second embodiment of a shoe lace showing my new design; and, FIG. 4 is a side view thereof.

The dashed-dot-dashed lines form the boundary lines of the claimed design. The even dashed lines represent unclaimed environment and form no part of the claimed design.

**1 Claim, 2 Drawing Sheets**

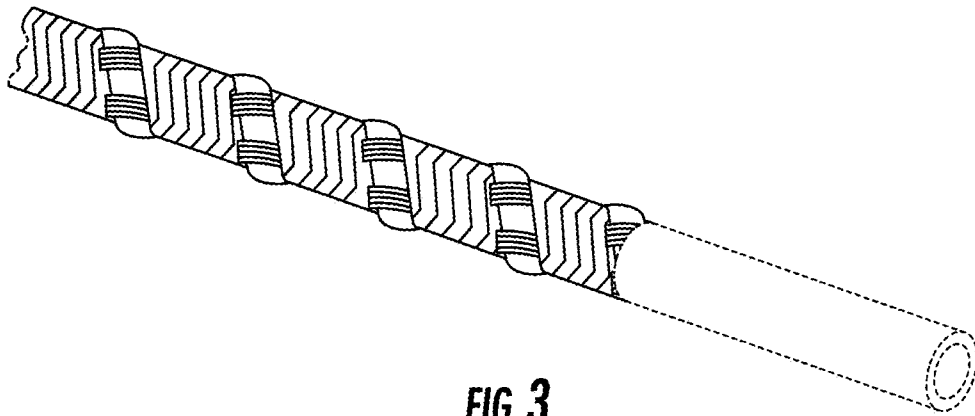




**FIG. 1**



**FIG. 2**



**FIG. 3**



**FIG. 4**