



- (51) International Patent Classification: *H04W 88/08* (2009.01)
- (21) International Application Number: PCT/SE2013/051501
- (22) International Filing Date: 12 December 2013 (12.12.2013)
- (25) Filing Language: English
- (26) Publication Language: English
- (30) Priority Data: 61/736,480 12 December 2012 (12.12.2012) US
- (71) Applicant: TELEFONAKTIEBOLAGET L M ERICSSON (PUBL) [SE/SE]; SE-164 83 Stockholm (SE).
- (72) Inventor: HÄGER, Peter; Skandiastigen 6, SE-18263 Djursholm (SE).
- (74) Agent: EGRELIUS, Fredrik; Ericsson AB, Patent Unit Kista DSM, SE-16480 Stockholm (SE).
- (81) Designated States (unless otherwise indicated, for every kind of national protection available): AE, AG, AL, AM, AO, AT, AU, AZ, BA, BB, BG, BH, BN, BR, BW, BY, BZ, CA, CH, CL, CN, CO, CR, CU, CZ, DE, DK, DM, DO, DZ, EC, EE, EG, ES, FI, GB, GD, GE, GH, GM, GT, HN, HR, HU, ID, IL, IN, IR, IS, JP, KE, KG, KN, KP, KR, KZ, LA, LC, LK, LR, LS, LT, LU, LY, MA, MD, ME, MG, MK, MN, MW, MX, MY, MZ, NA, NG, NI, NO, NZ, OM, PA, PE, PG, PH, PL, PT, QA, RO, RS, RU, RW, SA, SC, SD, SE, SG, SK, SL, SM, ST, SV, SY, TH, TJ, TM, TN, TR, TT, TZ, UA, UG, US, UZ, VC, VN, ZA, ZM, ZW.

[Continued on next page]

(54) Title: A TELECOMMUNICATIONS STATION ENCLOSURE

(57) Abstract: The present invention relates to a telecommunications station enclosure (26) which comprises a panel assembly configured to essentially conceal a telecommunications station (24). The panel assembly is configured to conceal the telecommunications station at least partially with a sign or display (34) when the telecommunications station (24) is mounted on a vertical pole (22).

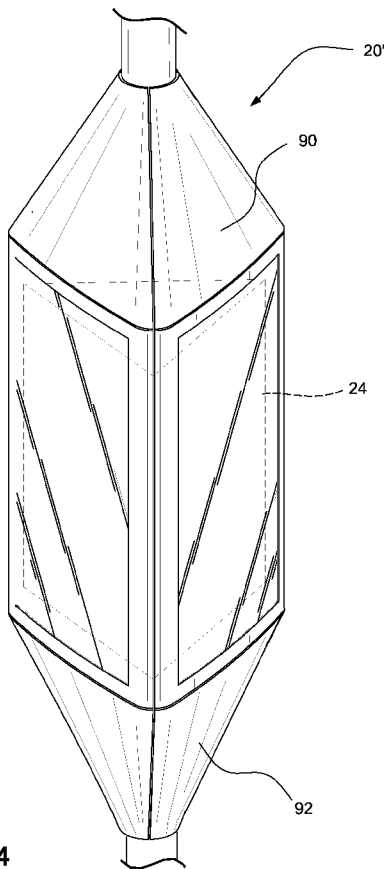


FIG. 4



(84) Designated States (*unless otherwise indicated, for every kind of regional protection available*): ARIPO (BW, GH, GM, KE, LR, LS, MW, MZ, NA, RW, SD, SL, SZ, TZ, UG, ZM, ZW), Eurasian (AM, AZ, BY, KG, KZ, RU, TJ, TM), European (AL, AT, BE, BG, CH, CY, CZ, DE, DK, EE, ES, FI, FR, GB, GR, HR, HU, IE, IS, IT, LT, LU, LV, MC, MK, MT, NL, NO, PL, PT, RO, RS, SE, SI, SK, SM, TR), OAPI (BF, BJ, CF, CG, CI, CM, GA, GN, GQ, GW, KM, ML, MR, NE, SN, TD, TG).

Published:

- *with international search report (Art. 21(3))*
- *before the expiration of the time limit for amending the claims and to be republished in the event of receipt of amendments (Rule 48.2(h))*

(88) Date of publication of the international search report:

7 August 2014

INTERNATIONAL SEARCH REPORT

International application No
PCT/SE2013/051501

A. CLASSIFICATION OF SUBJECT MATTER
INV. H04W88/08
ADD.

According to International Patent Classification (IPC) or to both national classification and IPC

B. FIELDS SEARCHED

Minimum documentation searched (classification system followed by classification symbols)
H04W

Documentation searched other than minimum documentation to the extent that such documents are included in the fields searched

Electronic data base consulted during the international search (name of data base and, where practicable, search terms used)

EPO-Internal, INSPEC, WPI Data

C. DOCUMENTS CONSIDERED TO BE RELEVANT

Category*	Citation of document, with indication, where appropriate, of the relevant passages	Relevant to claim No.
X	EP 1 286 412 A2 (CARTHAEUSER ULRICH [DE]) 26 February 2003 (2003-02-26) paragraph [0013] - paragraph [0018] paragraph [0029] - paragraph [0030] figures 1-3,12,13 -----	1-40
A	US 6 670 917 B1 (MANISCALCO CHARLES [US] ET AL) 30 December 2003 (2003-12-30) column 6, line 36 - line 56 figure 1 -----	1-40
A	US 2007/253208 A1 (HOWARD CAROL A [US] ET AL) 1 November 2007 (2007-11-01) paragraph [0001] paragraph [0006] - paragraph [0010] paragraph [0023] - paragraph [0042] figures 1-5 -----	1-40
	-/--	

Further documents are listed in the continuation of Box C.

See patent family annex.

* Special categories of cited documents :

- "A" document defining the general state of the art which is not considered to be of particular relevance
- "E" earlier application or patent but published on or after the international filing date
- "L" document which may throw doubts on priority claim(s) or which is cited to establish the publication date of another citation or other special reason (as specified)
- "O" document referring to an oral disclosure, use, exhibition or other means
- "P" document published prior to the international filing date but later than the priority date claimed

"T" later document published after the international filing date or priority date and not in conflict with the application but cited to understand the principle or theory underlying the invention

"X" document of particular relevance; the claimed invention cannot be considered novel or cannot be considered to involve an inventive step when the document is taken alone

"Y" document of particular relevance; the claimed invention cannot be considered to involve an inventive step when the document is combined with one or more other such documents, such combination being obvious to a person skilled in the art

"&" document member of the same patent family

Date of the actual completion of the international search

28 May 2014

Date of mailing of the international search report

06/06/2014

Name and mailing address of the ISA/

European Patent Office, P.B. 5818 Patentlaan 2
NL - 2280 HV Rijswijk
Tel. (+31-70) 340-2040,
Fax: (+31-70) 340-3016

Authorized officer

Donnini, Carlo Luca

INTERNATIONAL SEARCH REPORT

International application No
PCT/SE2013/051501

C(Continuation). DOCUMENTS CONSIDERED TO BE RELEVANT

Category*	Citation of document, with indication, where appropriate, of the relevant passages	Relevant to claim No.
A	CN 202 382 133 U (FUJIAN YOUKE COMM TECHNOLOGY CO LTD) 15 August 2012 (2012-08-15) the whole document -----	1-40

INTERNATIONAL SEARCH REPORT

Information on patent family members

International application No

PCT/SE2013/051501

Patent document cited in search report	Publication date	Patent family member(s)	Publication date
EP 1286412	A2	26-02-2003	NONE

US 6670917	B1	30-12-2003	NONE

US 2007253208	A1	01-11-2007	CA 2584825 A1 28-10-2007
			US 2007253208 A1 01-11-2007

CN 202382133	U	15-08-2012	NONE
