



US00D680375S

(12) **United States Design Patent**
Pousard et al.

(10) **Patent No.:** **US D680,375 S**

(45) **Date of Patent:** **** Apr. 23, 2013**

(54) **MUG**

(76) Inventors: **James Scott Pousard**, Clayton, CA
(US); **George Kenneth Soder, Jr.**,
Clayton, CA (US)

(**) **Term:** **14 Years**

(21) **Appl. No.:** **29/389,285**

(22) **Filed:** **Apr. 8, 2011**

(51) **LOC (9) Cl.** **07-01**

(52) **U.S. Cl.**

USPC **D7/513; D7/536**

(58) **Field of Classification Search** **D7/523,**
D7/513, 536, 505, 507; 220/23.8, 719, 715,
220/592.16

See application file for complete search history.

(56) **References Cited**

U.S. PATENT DOCUMENTS

1,496,989	A	*	6/1924	Kideney	220/23.8
3,104,788	A	*	9/1963	Wood	294/152
D218,350	S	*	8/1970	Marks	D7/513
D258,796	S	*	4/1981	Paulides	D7/513
D287,086	S	*	12/1986	Meier et al.	D7/536

D287,322	S	*	12/1986	Martin	D7/536
D292,157	S	*	10/1987	Robinson	D7/505
D305,194	S	*	12/1989	Durand	D7/536
D309,545	S	*	7/1990	Ancona et al.	D7/507
D392,325	S	*	3/1998	Cheris et al.	D19/85
D439,802	S	*	4/2001	Colmore	D7/513
D472,426	S	*	4/2003	Premji	D7/513
D556,510	S	*	12/2007	Meuser	D7/513
D597,375	S	*	8/2009	Wroblewski	D7/505

* cited by examiner

Primary Examiner — Marianne Pandozzi

(74) *Attorney, Agent, or Firm* — Bay Area Technology Law Group PC

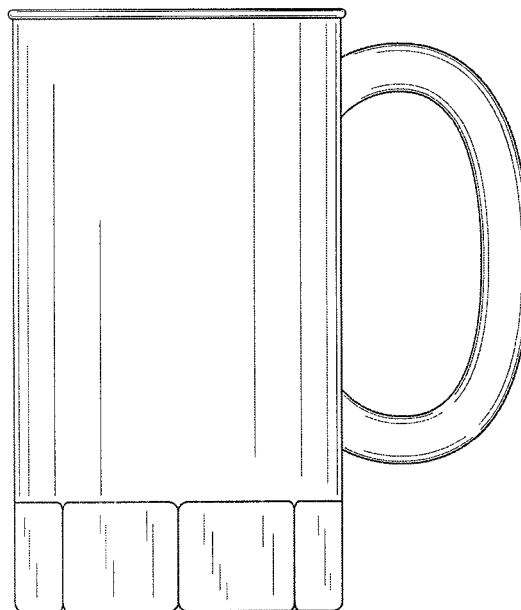
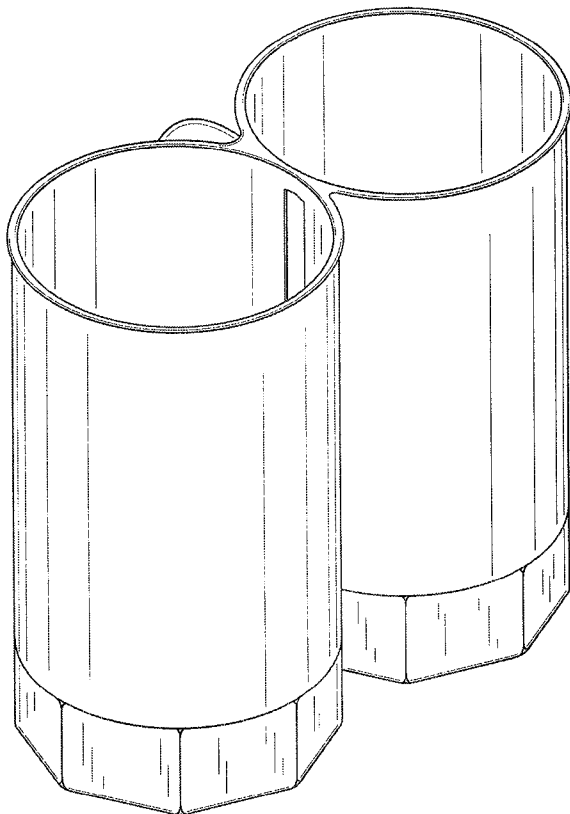
(57) **CLAIM**

The ornamental design for a mug, as shown and described.

DESCRIPTION

FIG. 1 is a perspective view of a mug showing our new design;
FIG. 2 is a left side view of FIG. 1;
FIG. 3 is a right side view of FIG. 1;
FIG. 4 is a top plan view of FIG. 1;
FIG. 5 is a bottom plan view of FIG. 1;
FIG. 6 is a front view of FIG. 1; and,
FIG. 7 is a rear view of FIG. 1.

1 Claim, 3 Drawing Sheets



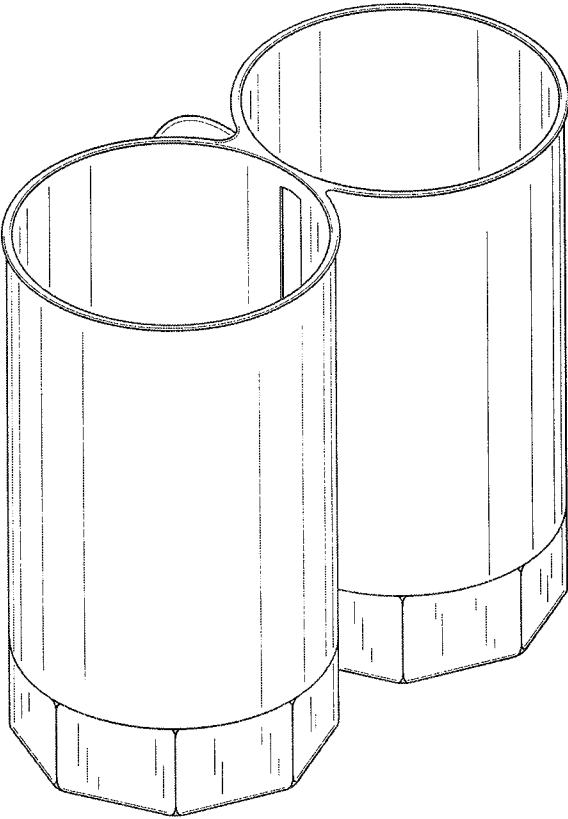


FIG. 1

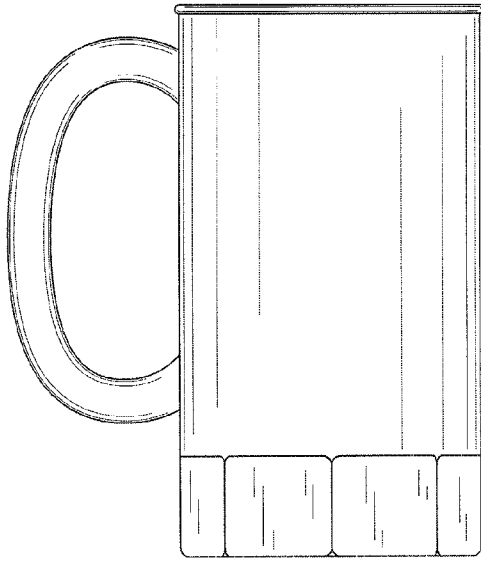


FIG. 2

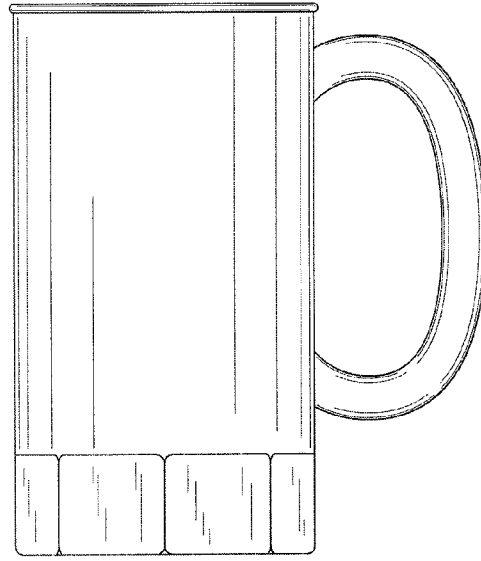


FIG. 3

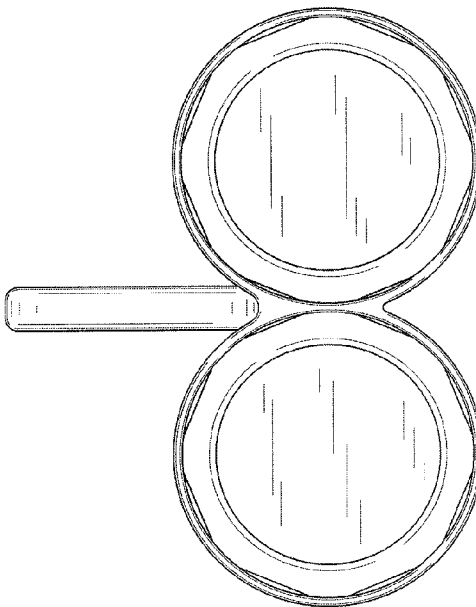


FIG. 4

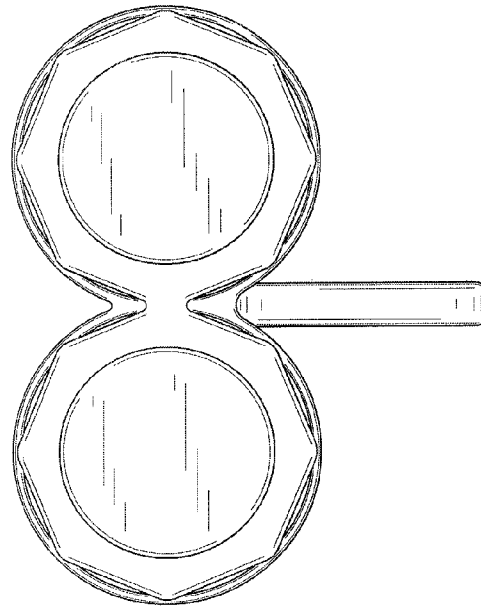


FIG. 5

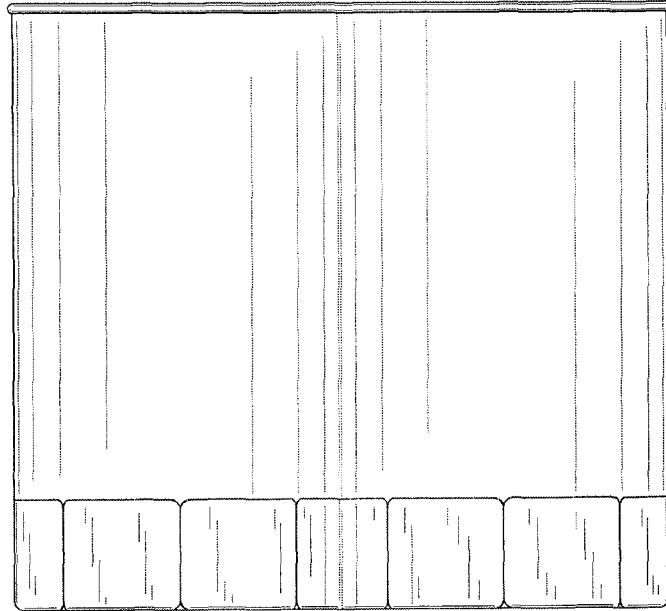


FIG. 6

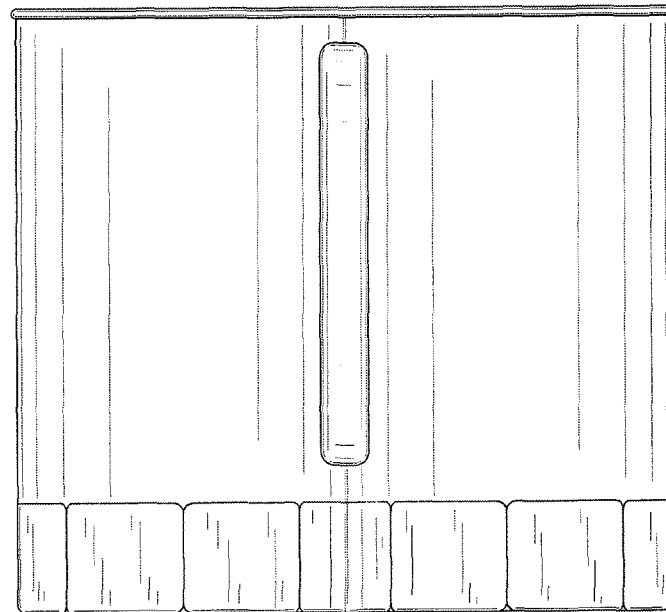


FIG. 7