



US0D1024148S

(12) **United States Design Patent**
Peng

(10) **Patent No.:** **US D1,024,148 S**

(45) **Date of Patent:** **** Apr. 23, 2024**

(54) **VACUUM DEVICE**

(71) Applicant: **Shenzhen Yingtu Technology Co., Ltd.**, Shenzhen (CN)

(72) Inventor: **Subo Peng**, Shenzhen (CN)

(73) Assignee: **Shenzhen Yingtu Technology Co., Ltd.**, Shenzhen (CN)

(**) Term: **15 Years**

(21) Appl. No.: **29/842,776**

(22) Filed: **Jun. 15, 2022**

(51) **LOC (14) Cl.** **15-10**

(52) **U.S. Cl.**
USPC **D15/146**

(58) **Field of Classification Search**

USPC D15/122, 126, 134, 138, 145, 146;
D7/336, 337, 352, 356, 362, 391, 392.1,
D7/602; D9/435, 436, 453, 500, 50, 503,
D9/504, 516, 439
CPC B65B 31/00; B65B 31/02; B65B 31/024;
B65B 31/025; B65B 31/04; B65B 31/048;
B65B 51/10; B65B 51/14; B65B 51/146;
B65B 41/12; B29C 66/8491; B29C 65/30;
B41F 16/00; B41F 16/0026; B41F
16/0093; B41F 1/38; B30B 15/047; B30B
15/061; B30B 15/064; B30B 15/34; B67B
6/00; B67C 3/222; B67C 2003/226
See application file for complete search history.

(56) **References Cited**

U.S. PATENT DOCUMENTS

D611,296 S * 3/2010 Ingman D7/392.1
D970,291 S * 11/2022 Wang D7/392.1
D970,570 S * 11/2022 Zhou D15/146
D979,404 S * 2/2023 Kutcher D9/446
D981,461 S * 3/2023 Guo D15/146

D988,070 S * 6/2023 Lai D9/453
D994,488 S * 8/2023 Zheng D9/439
D998,758 S * 9/2023 Hu D23/269
D1,002,375 S * 10/2023 Miyatake D9/516

OTHER PUBLICATIONS

[FoodSaver Plastic Jar Sealer], available in Amazon.com, date first available Sep. 1, 015 [online], [site visited Feb. 8, 2024], Available from the internet URL: https://www.amazon.com/FoodSaver-FCARWJAH-000-Wide-Mouth-Regular-Accessory/dp/B016OL1AB6/ref=sr_1_106 (Year: 2015).*

[Upgrade Canning Sealer Kit for Mason Jars], available in Amazon.com, date first available Aug. 31, 2022 [online], [site visited Feb. 8, 2024], Available from the internet URL: https://www.amazon.com/dp/B0BCHY7T7H/ref=sspa_dk_detail_4 (Year: 2022).*

[Mason Jar Vacuum Sealer], available in Amazon.com, date first available Jul. 13, 2022 [online], [site visited Feb. 8, 2024], Available from the internet URL: https://www.amazon.com/dp/B0B49QTC9I/ref=sspa_dk_detail_0 (Year: 2022).*

* cited by examiner

Primary Examiner — Calvin E Vansant
Assistant Examiner — Kaitlyn G Wiltshire
(74) *Attorney, Agent, or Firm* — Jeenam Park

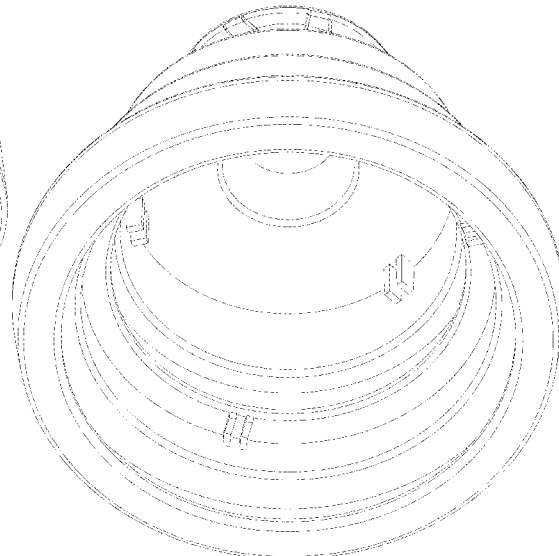
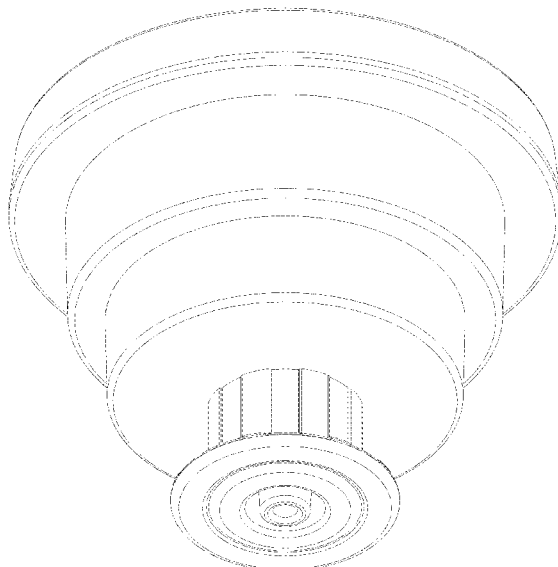
(57) **CLAIM**

The ornamental design for a vacuum device, as shown and described.

DESCRIPTION

FIG. 1 is a perspective view of a vacuum device, showing my new design;
FIG. 2 is another perspective view thereof;
FIG. 3 is a front view thereof;
FIG. 4 is a rear view thereof;
FIG. 5 is a left side view thereof;
FIG. 6 is a right side view thereof;
FIG. 7 is a top plan view thereof; and,
FIG. 8 is a bottom plan view thereof.

1 Claim, 8 Drawing Sheets



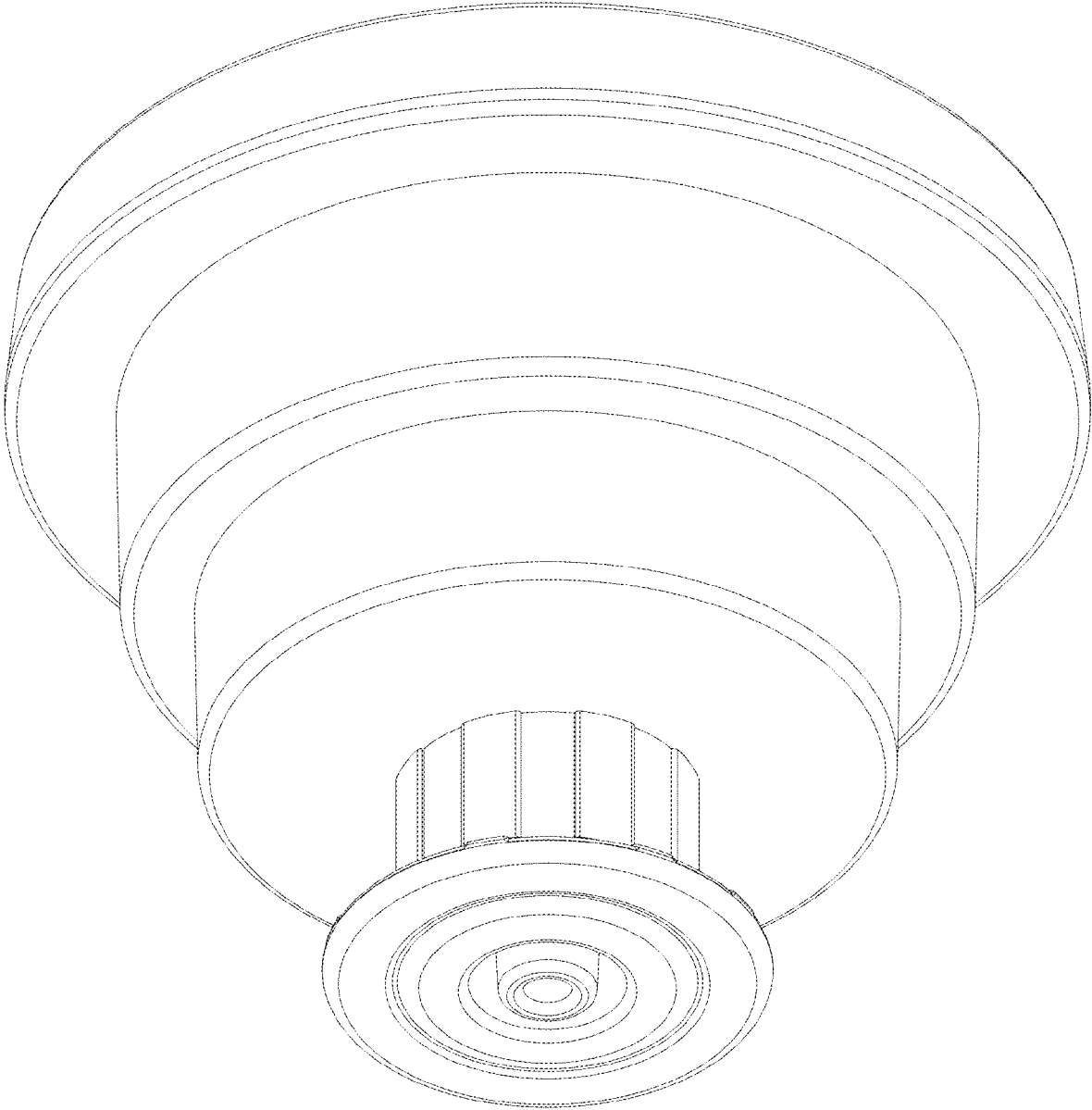


FIG. 1

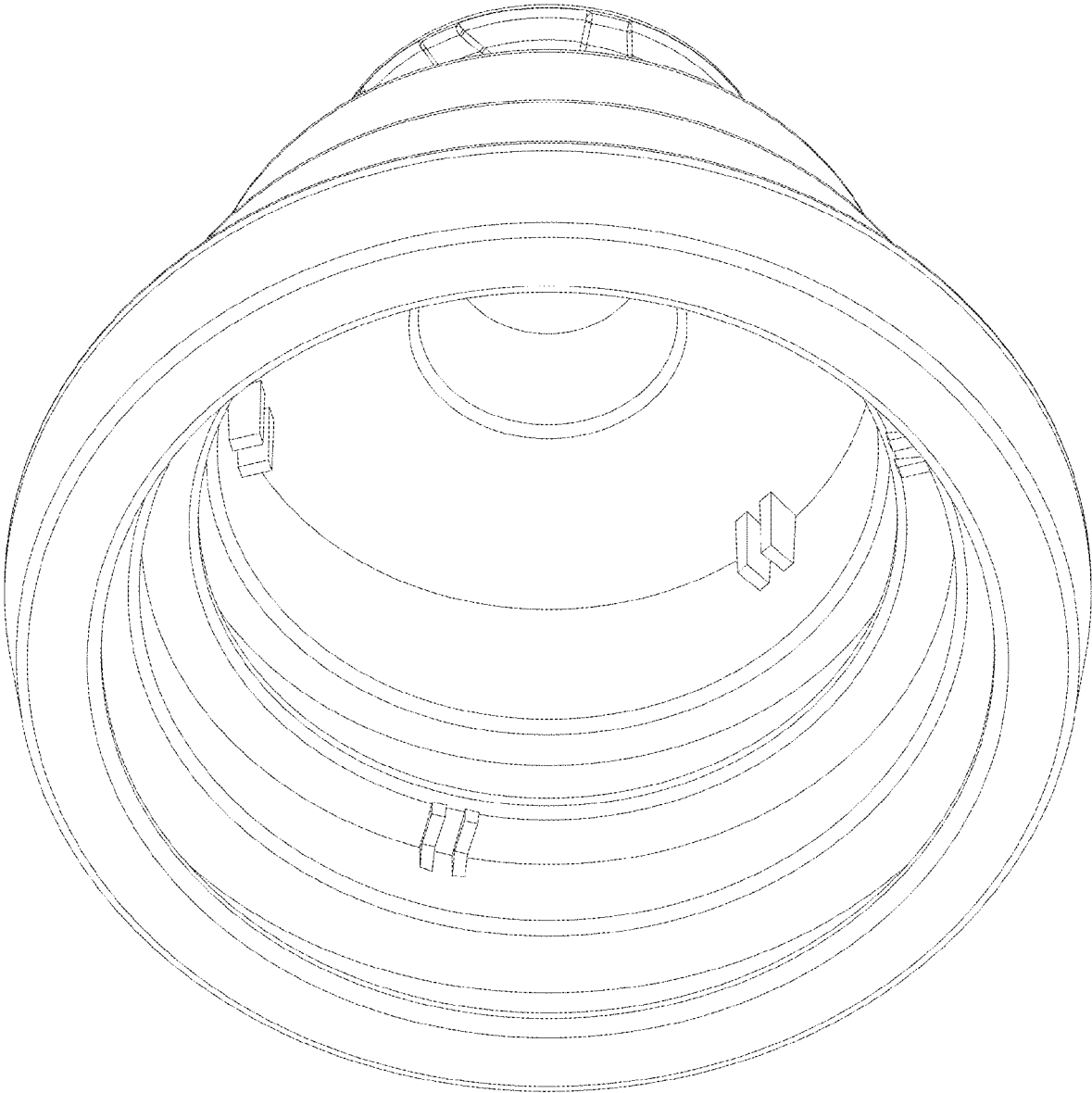


FIG. 2

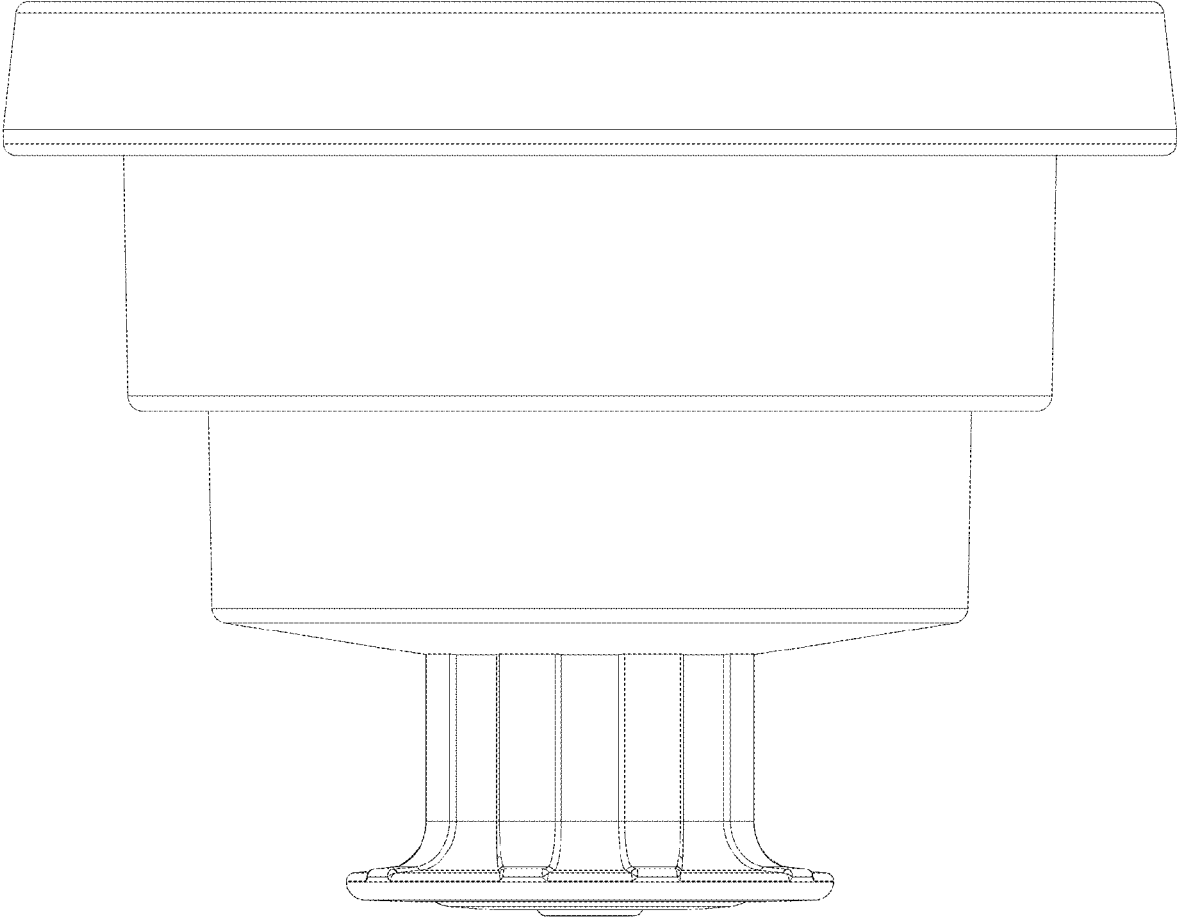


FIG. 3

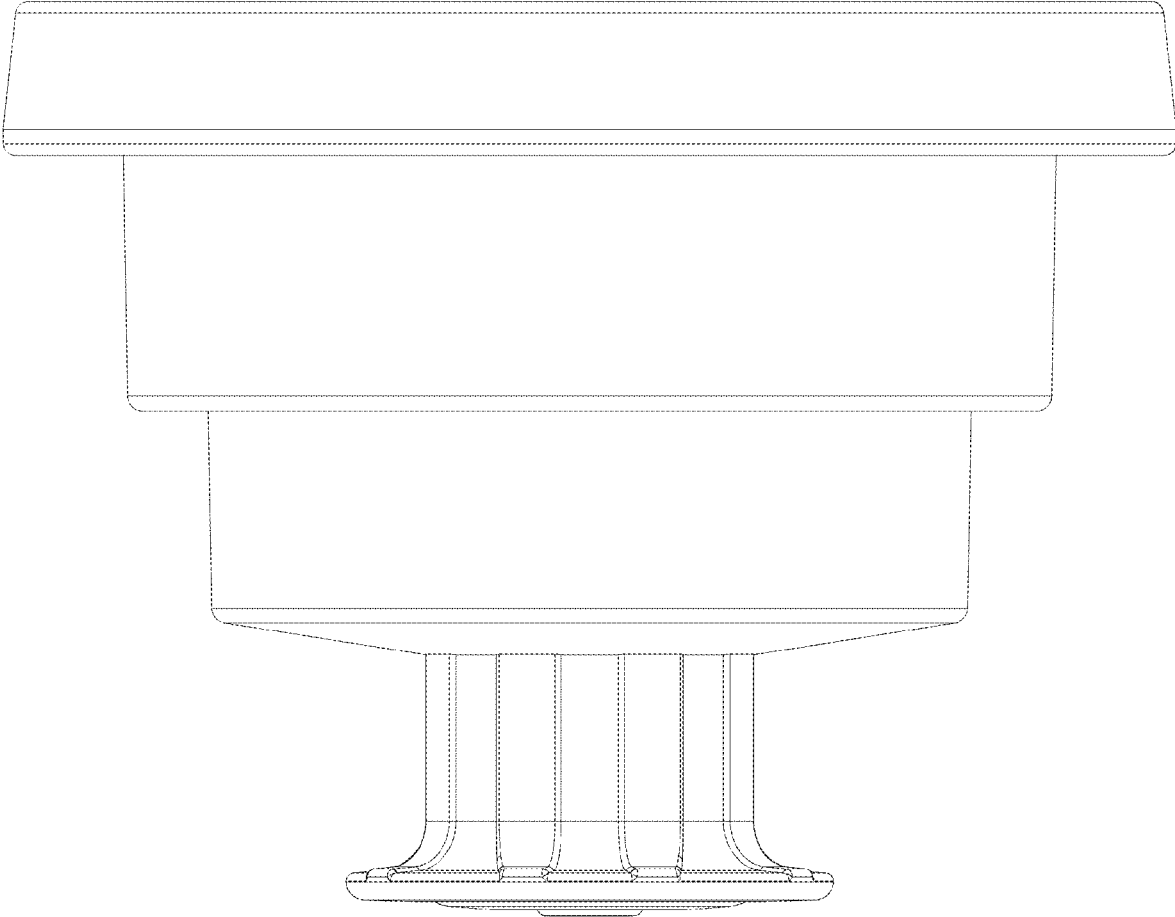


FIG. 4

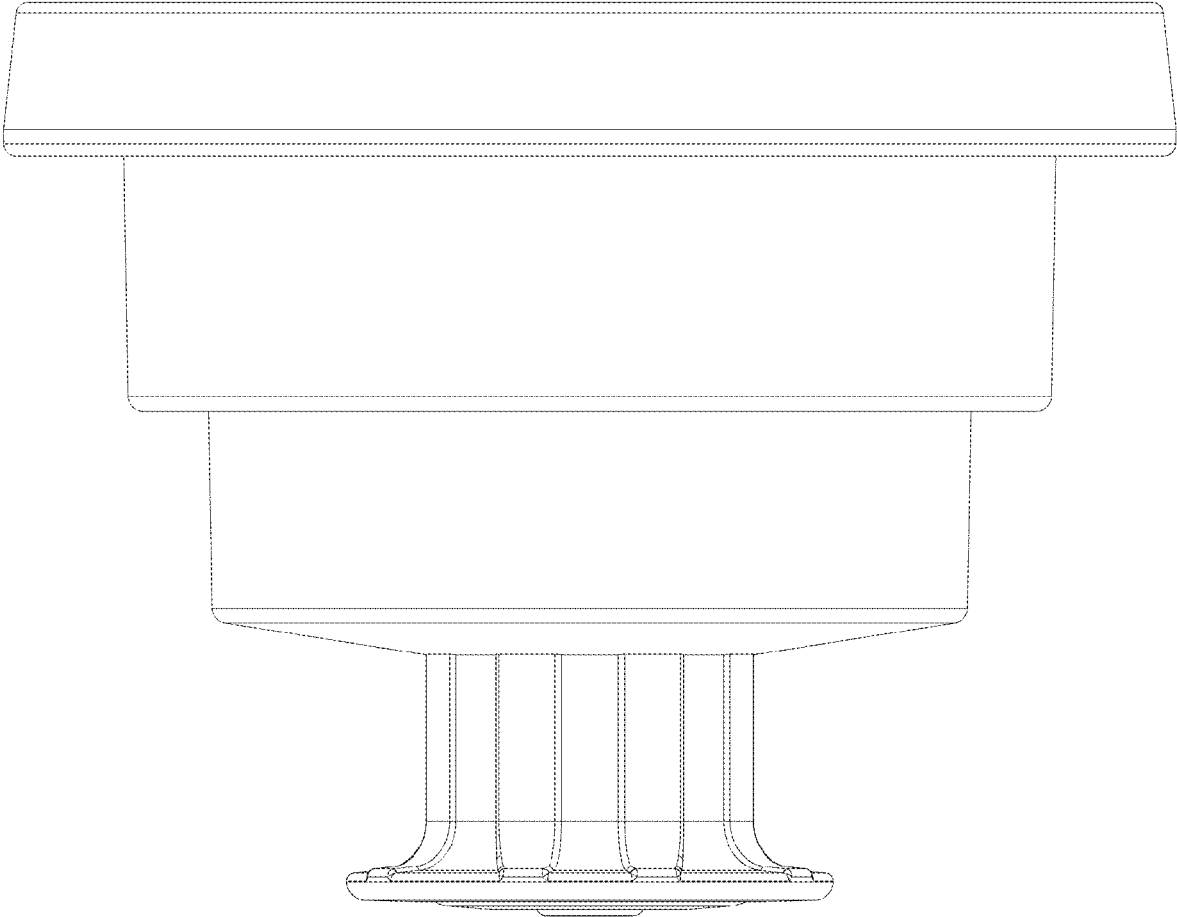


FIG. 5

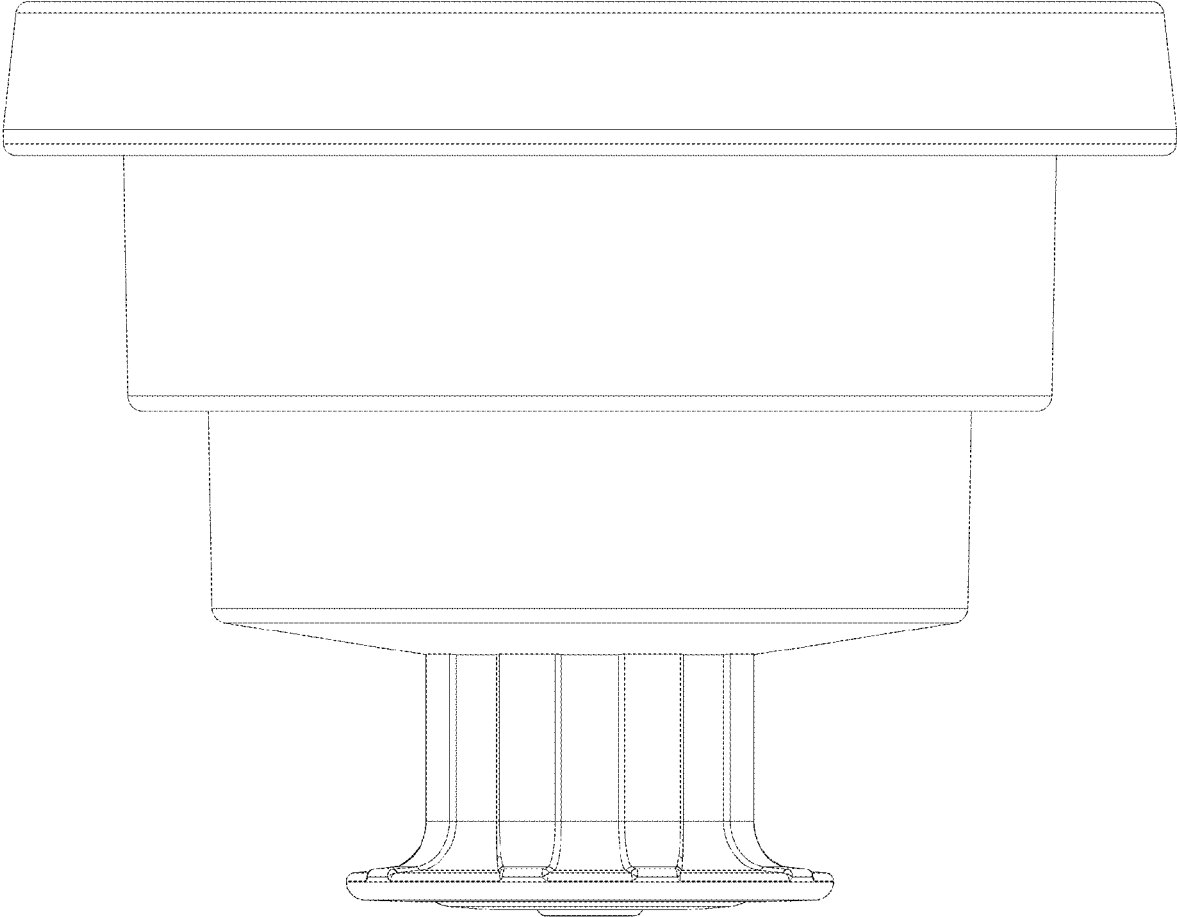


FIG. 6

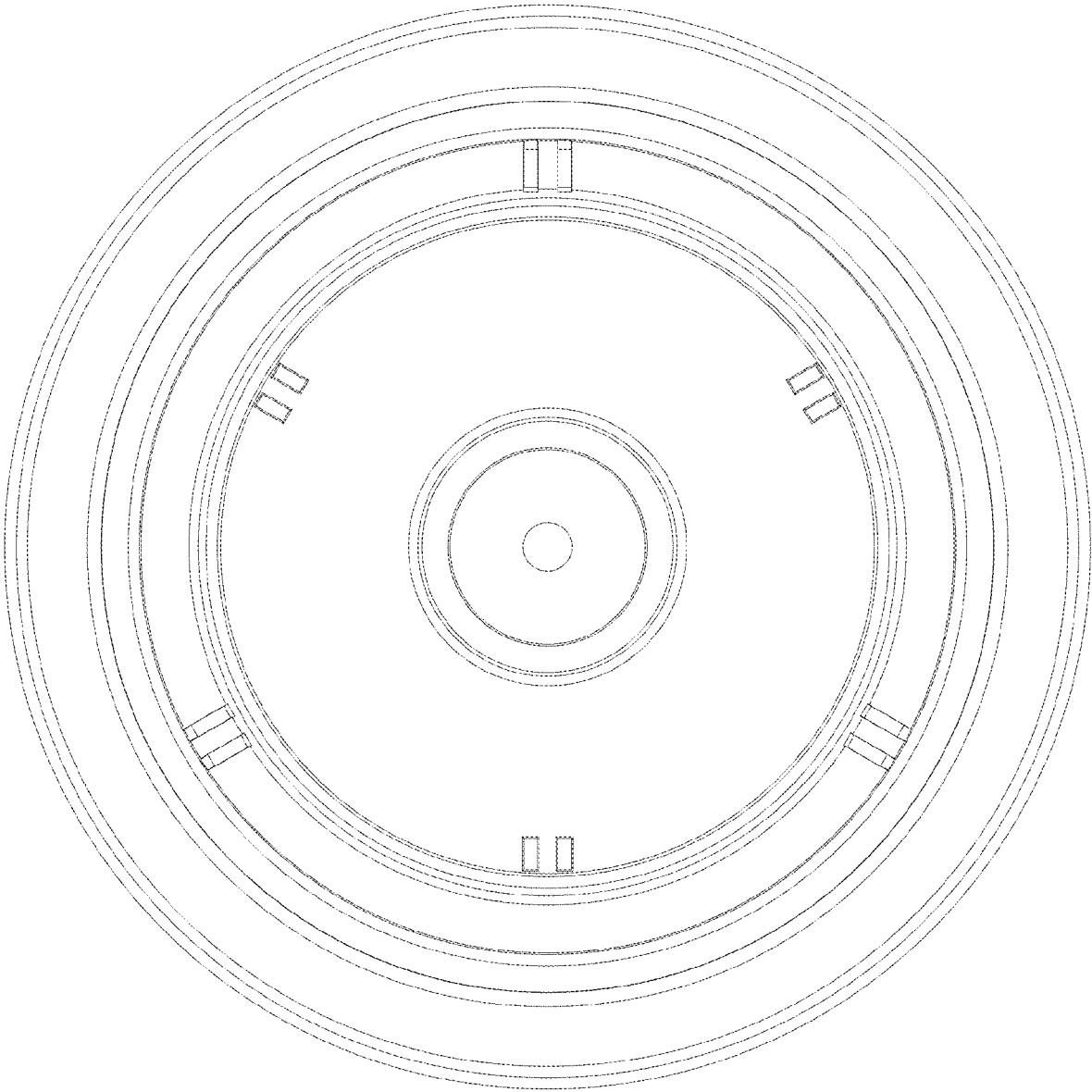


FIG. 7

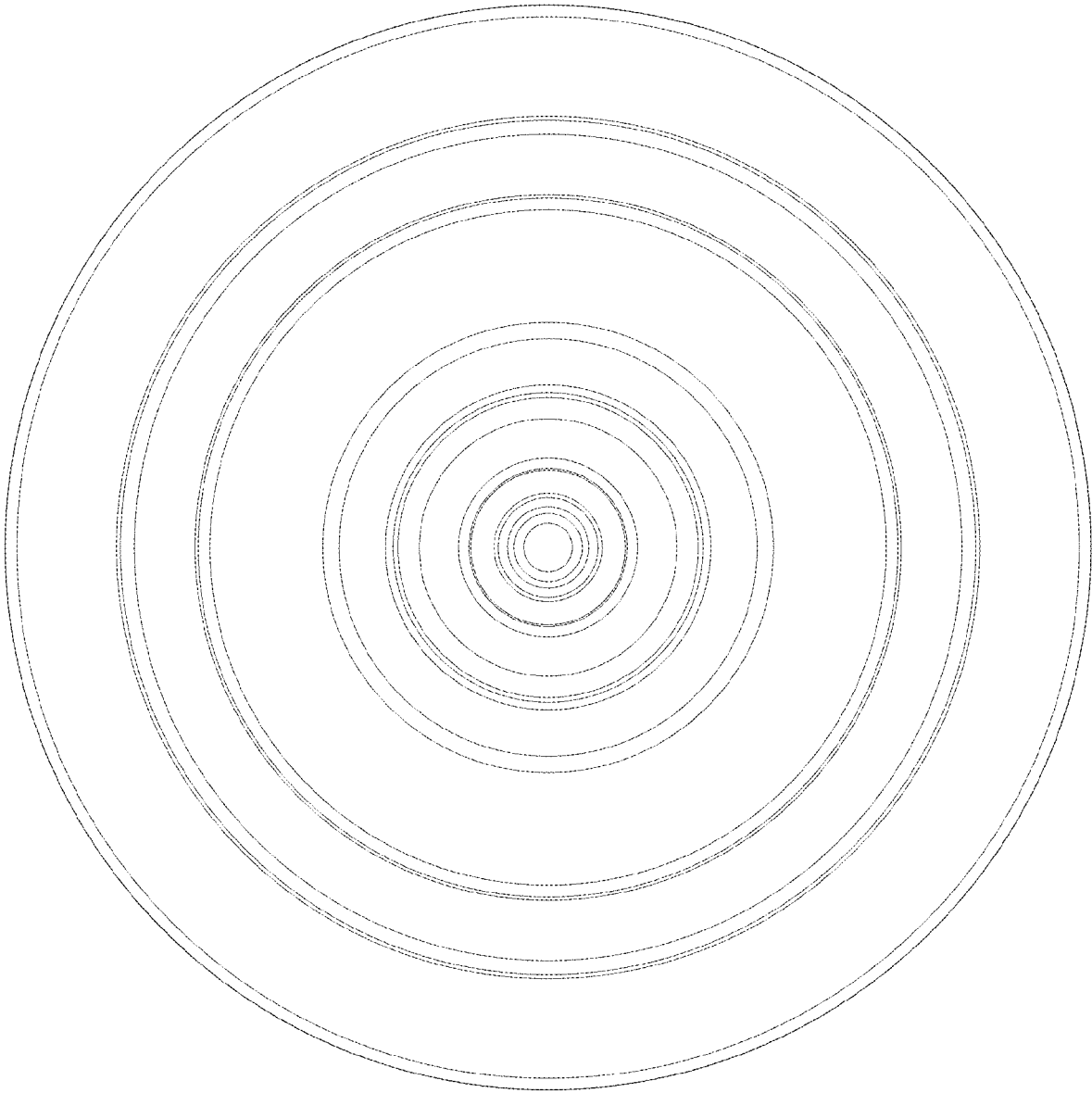


FIG. 8