



US00D536970S

(12) **United States Design Patent**  
**Shannan et al.**

(10) **Patent No.:** **US D536,970 S**

(45) **Date of Patent:** **\*\* Feb. 20, 2007**

(54) **DUAL SPRAY PATTERN ACTUATOR FOR AEROSOL PRODUCT**

(74) *Attorney, Agent, or Firm*—Robert L. Epstein; Epstein Drangel Bazerman & James, LLP

(75) Inventors: **Gad Shannan**, La Jolla, CA (US);  
**Douglas John Todd**, San Diego, CA (US);  
**Francois Duval**, Terrebonne (CA);  
**Ivan Brousseau**, Montreal (CA);  
**Predrag Pudar**, Montreal (CA)

(57) **CLAIM**

The ornamental design for a dual spray pattern actuator for aerosol product, substantially as shown and described.

(73) Assignee: **WD-40 Company**, San Diego, CA (US)

(\*\*) Term: **14 Years**

(21) Appl. No.: **29/240,024**

(22) Filed: **Oct. 7, 2005**

(51) **LOC (8) Cl.** ..... **09-07**

(52) **U.S. Cl.** ..... **D9/448**

(58) **Field of Classification Search** ..... D9/690,  
D9/687, 686, 685, 682, 453, 448, 447, 440,  
D9/435, 434, 445; D24/113, 110; 222/915,  
222/404, 402.11–402.15, 402.1, 182, 153.1;  
220/915

See application file for complete search history.

(56) **References Cited**

U.S. PATENT DOCUMENTS

D349,642 S	*	8/1994	Abfier	.....	D9/685
D404,294 S	*	1/1999	De Baschmakoff	.....	D9/682
D445,670 S	*	7/2001	De Baschmakoff	.....	D9/682
D481,305 S	*	10/2003	Walters et al.	.....	D9/685

\* cited by examiner

*Primary Examiner*—Robert M. Spear  
*Assistant Examiner*—Susan Bennett Hattan

**DESCRIPTION**

FIG. 1 is an isometric view showing the front, top and one side of our invention, showing the pivot part in a first position;

FIG. 2 is a side elevational view of our invention, showing the pivot part in a first position, the other side appearing as the mirror image;

FIG. 3 is a front elevational view of our invention, showing the pivot part in the first position;

FIG. 4 is a rear elevation view of our invention, showing the pivot part in the first position;

FIG. 5 is a top elevation view of our invention, showing the pivot part in the first position;

FIG. 6 is a view similar to that of FIG. 1, but showing the pivot part in a second position;

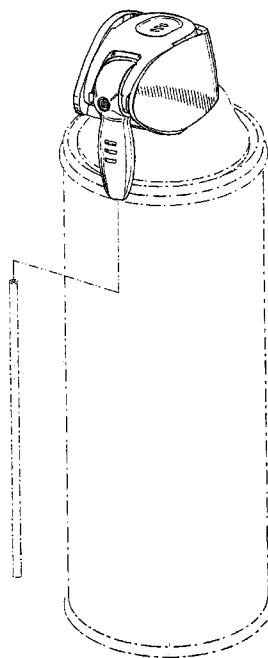
FIG. 7 is a side elevational view of our invention, showing the pivot part in the second position, the other side appearing as the mirror image;

FIG. 8 is a front elevational view of our invention, showing the pivot part in the second position; and

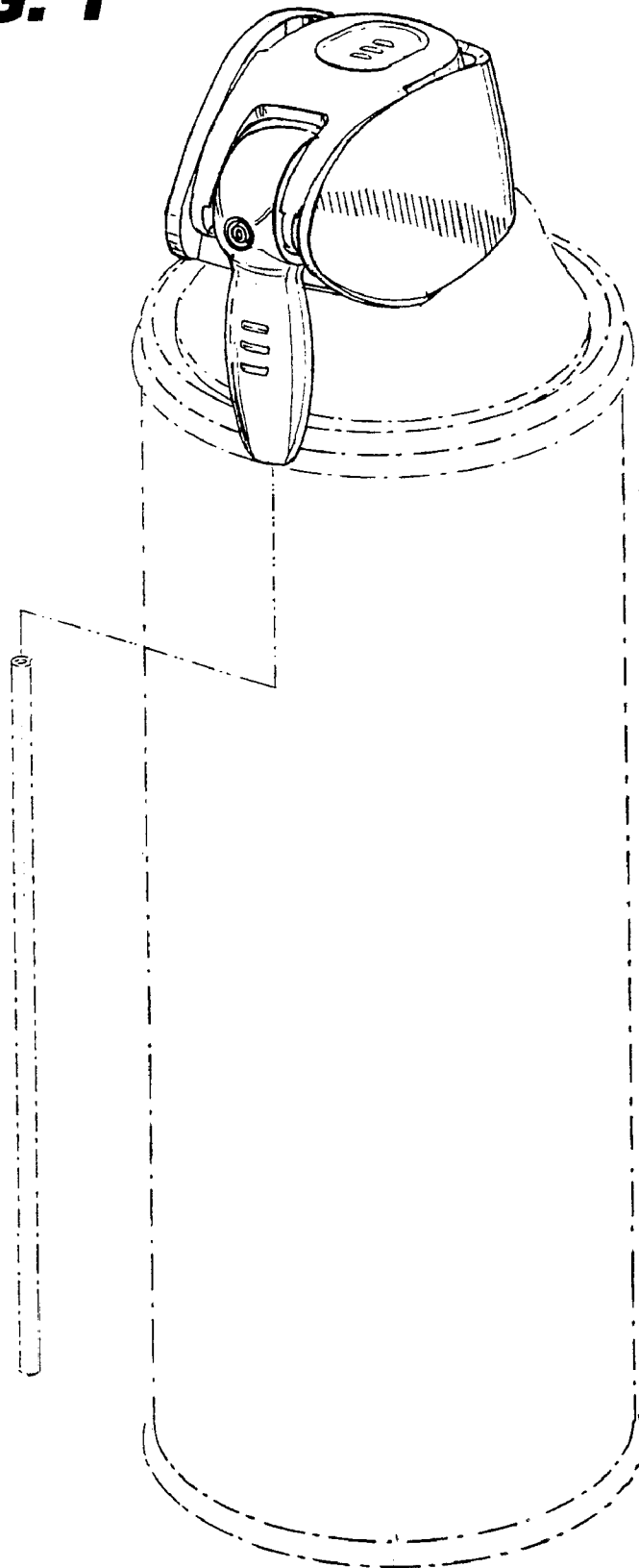
FIG. 9 is a top elevation view of our invention, showing the pivot part in the second position.

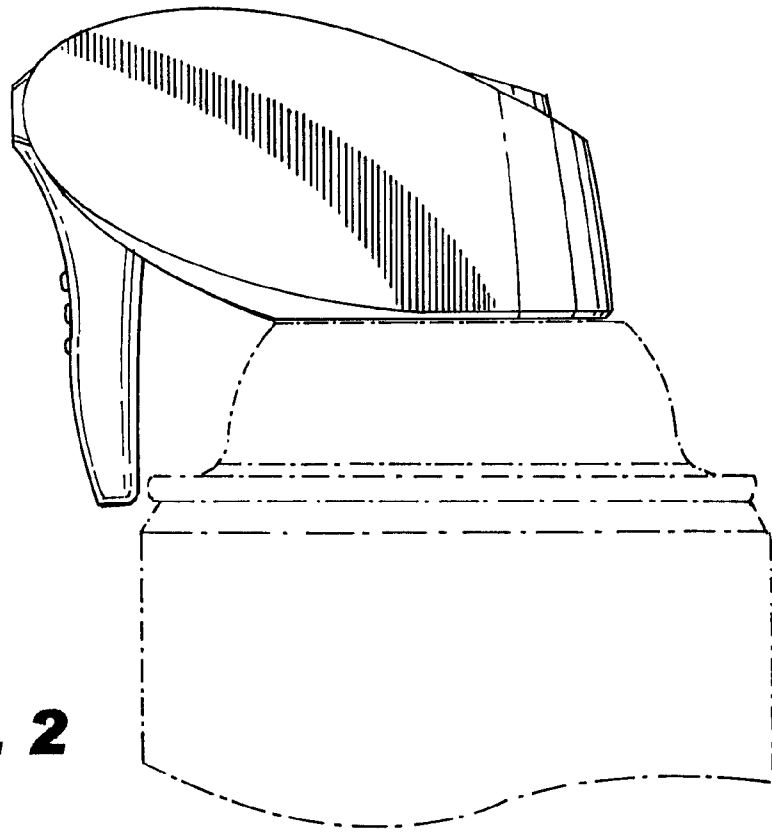
The broken lines in the drawing are for illustrative purposes only and form no part of the claimed design.

**1 Claim, 6 Drawing Sheets**

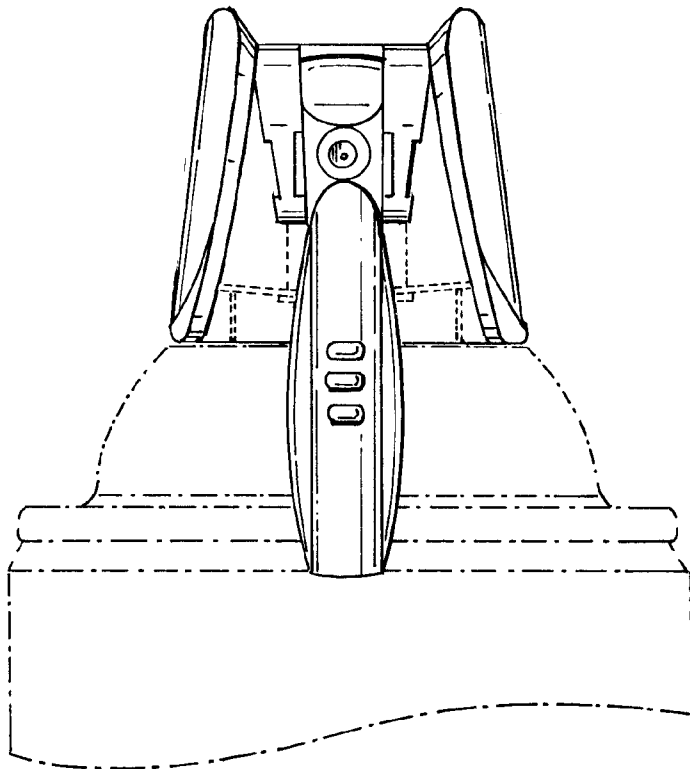


**FIG. 1**

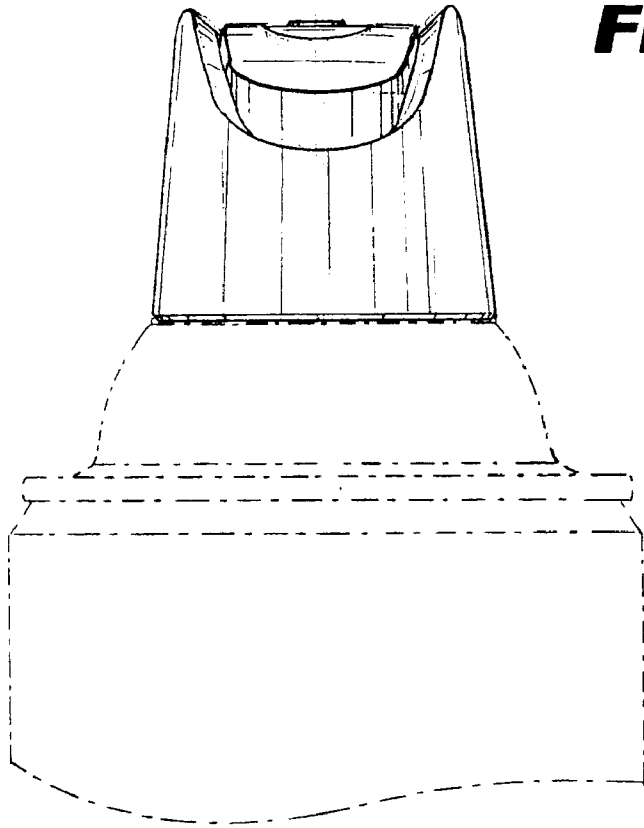




**Fig. 2**

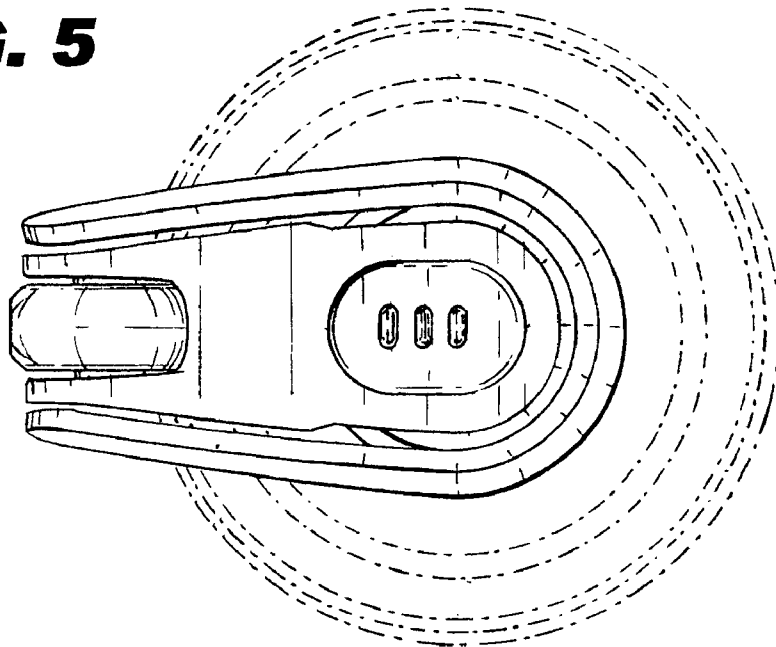


**Fig. 3**

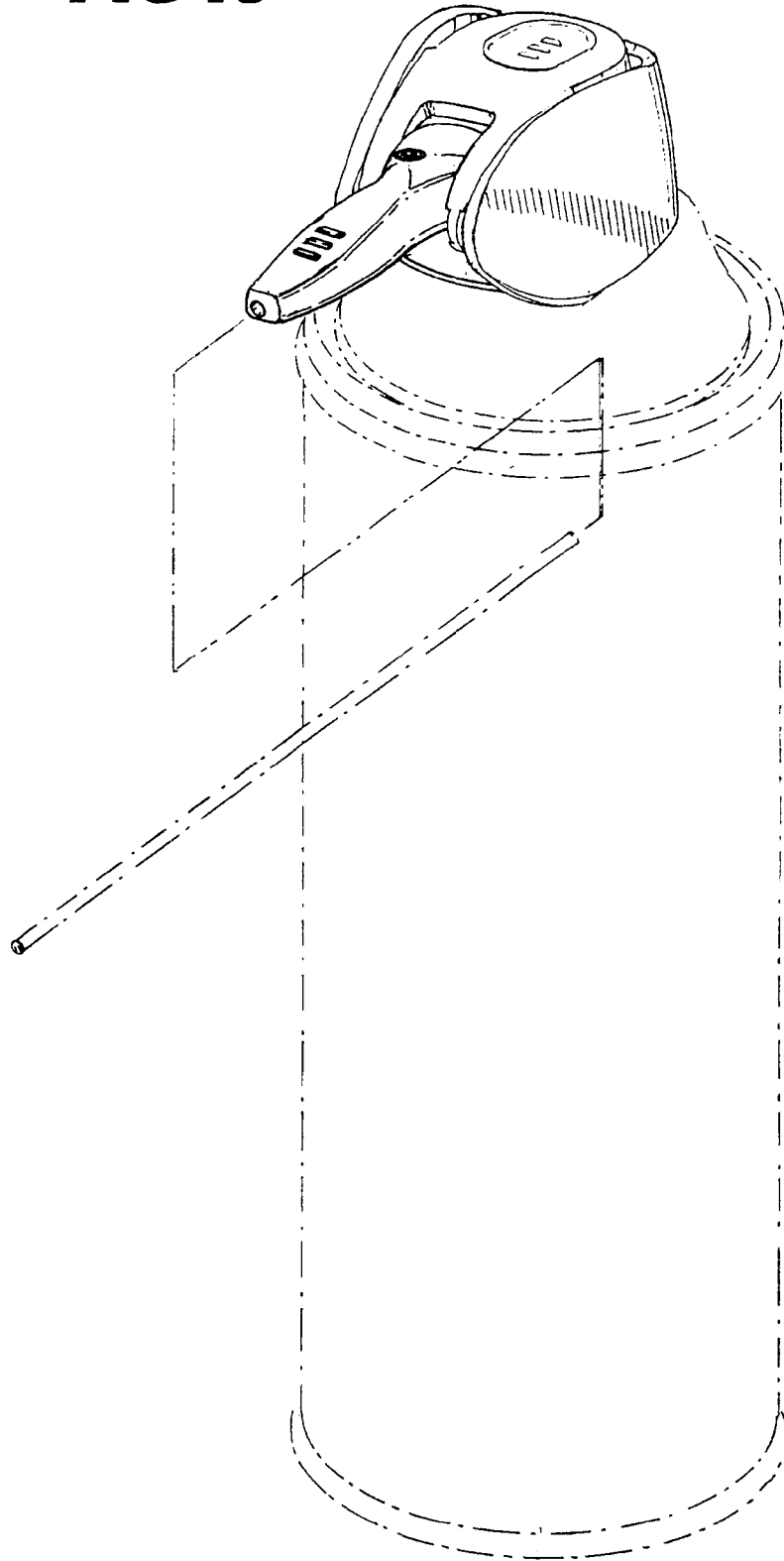


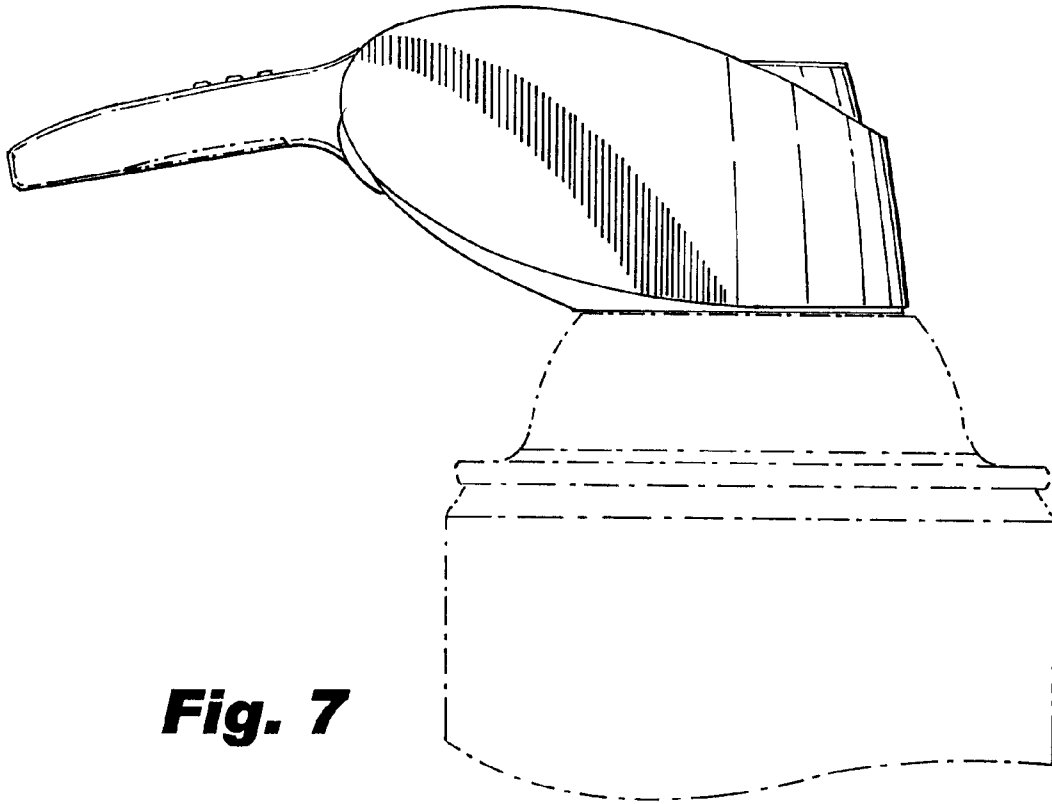
**FIG. 4**

**FIG. 5**

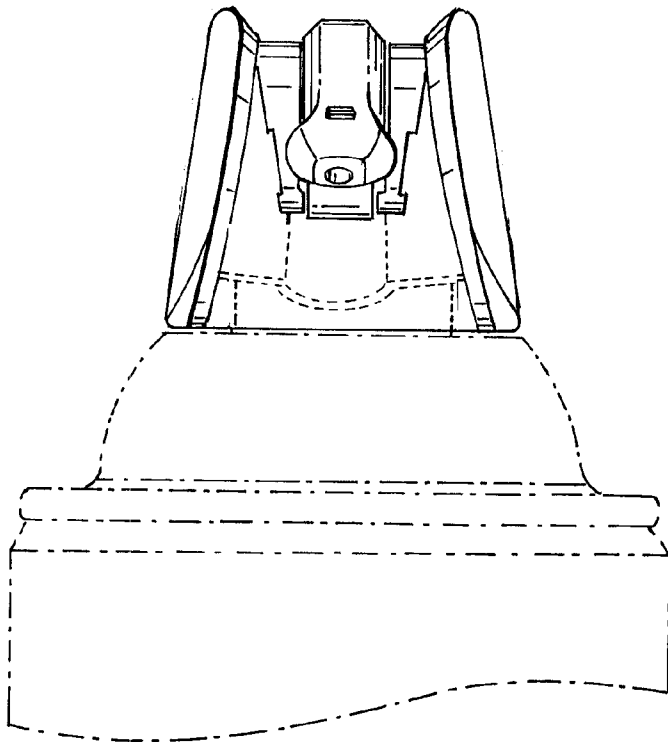


**FIG .6**





**Fig. 7**



**Fig. 8**

**FIG. 9**

