

(19) World Intellectual Property Organization
International Bureau



(43) International Publication Date
5 February 2009 (05.02.2009)

PCT

(10) International Publication Number
WO 2009/016472 A3

- (51) International Patent Classification:
H04W 8/00 (2009.01)
- (21) International Application Number:
PCT/IB2008/001978
- (22) International Filing Date: 30 July 2008 (30.07.2008)
- (25) Filing Language: English
- (26) Publication Language: English
- (30) Priority Data:
11/830,087 30 July 2007 (30.07.2007) US
- (71) Applicant (for all designated States except US): **EATON CORPORATION** [US/US]; Eaton Center, 1111 Superior Avenue, Cleveland, Ohio 44114-2584 (US).

AO, AT, AU, AZ, BA, BB, BG, BH, BR, BW, BY, BZ, CA, CH, CN, CO, CR, CU, CZ, DE, DK, DM, DO, DZ, EC, EE, EG, ES, FI, GB, GD, GE, GH, GM, GT, HN, HR, HU, ID, IL, IN, IS, JP, KE, KG, KM, KN, KP, KR, KZ, LA, LC, LK, LR, LS, LT, LU, LY, MA, MD, ME, MG, MK, MN, MW, MX, MY, MZ, NA, NG, NI, NO, NZ, OM, PG, PH, PL, PT, RO, RS, RU, SC, SD, SE, SG, SK, SL, SM, ST, SV, SY, TJ, TM, TN, TR, TT, TZ, UA, UG, US, UZ, VC, VN, ZA, ZM, ZW.

- (72) Inventors; and
- (75) Inventors/Applicants (for US only): **NAEVE, Marco** [DE/US]; 199 North 90th Street, Milwaukee, Wisconsin 53226 (US). **LUEBKE, Charles, J.** [US/US]; W245 N5906 Maris Court, Sussex, Wisconsin 53089 (US). **PEREIRA, Luis, R.** [VE/US]; 5016 N. 83rd Street, Milwaukee, Wisconsin 53218 (US).

(84) Designated States (unless otherwise indicated, for every kind of regional protection available): ARIPO (BW, GH, GM, KE, LS, MW, MZ, NA, SD, SL, SZ, TZ, UG, ZM, ZW), Eurasian (AM, AZ, BY, KG, KZ, MD, RU, TJ, TM), European (AT, BE, BG, CH, CY, CZ, DE, DK, EE, ES, FI, FR, GB, GR, HR, HU, IE, IS, IT, LT, LU, LV, MC, MT, NL, NO, PL, PT, RO, SE, SI, SK, TR), OAPI (BF, BJ, CF, CG, CI, CM, GA, GN, GQ, GW, ML, MR, NE, SN, TD, TG).

Published:
— with international search report
— before the expiration of the time limit for amending the claims and to be republished in the event of receipt of amendments

- (81) Designated States (unless otherwise indicated, for every kind of national protection available): AE, AG, AL, AM,
- (88) Date of publication of the international search report: 26 March 2009

(54) Title: WIRELESS SENSOR NETWORK USING A WIRELESS MODULE TO CONNECT A SERVER TO THE SENSORS

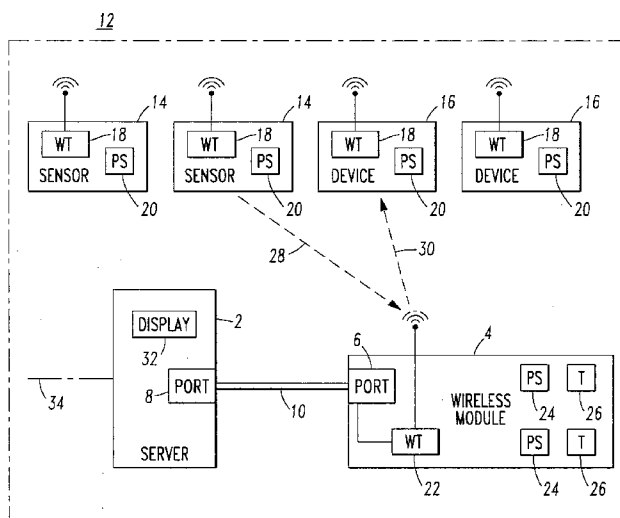


FIG. 1

(57) Abstract: A wireless system includes a server having a port, a plurality of sensors or devices, each of which includes a wireless transceiver and a proximity sensor; and a wireless module. The wireless module includes a port interconnected with the port of the server, a wireless transceiver cooperating with the port of the wireless module, the wireless transceiver of the wireless module being structured to wirelessly communicate with the wireless transceiver of the sensors or devices, a proximity sensor structured to sense one of the sensors or devices, and a target structured to be sensed by the proximity sensor of such one of the sensors or devices. The port of the server is structured to cooperate with the port of the wireless module to transmit and receive wireless messages. The port of the wireless module cooperates with the wireless transceiver to transmit and receive the wireless messages.

WO 2009/016472 A3

INTERNATIONAL SEARCH REPORT

International application No
PCT/IB2008/001978

A. CLASSIFICATION OF SUBJECT MATTER
INV. H04W8/00

According to International Patent Classification (IPC) or to both national classification and IPC

B. FIELDS SEARCHED
Minimum documentation searched (classification system followed by classification symbols)
H04W G01D G08B H04L

Documentation searched other than minimum documentation to the extent that such documents are included in the fields searched

Electronic data base consulted during the international search (name of data base and, where practical, search terms used)
EPO-Internal, WPI Data

C. DOCUMENTS CONSIDERED TO BE RELEVANT		
Category*	Citation of document, with indication, where appropriate, of the relevant passages	Relevant to claim No.
Y	US 2007/103303 A1 (SHOARINEJAD KAMBIZ [US]) 10 May 2007 (2007-05-10) paragraphs [0031] - [0033]; figures 2,3,7	1-26
Y	US 2006/197660 A1 (LUEBKE CHARLES J [US] ET AL) 7 September 2006 (2006-09-07) paragraphs [0016] - [0020] - paragraph [0043]; figures 2-7 paragraphs [0054] - [0061] paragraph [0074] - paragraph [0082]	1-26

Further documents are listed in the continuation of Box C. See patent family annex.

- * Special categories of cited documents :
- | | |
|--|--|
| <p>*A* document defining the general state of the art which is not considered to be of particular relevance</p> <p>*E* earlier document but published on or after the international filing date</p> <p>*L* document which may throw doubts on priority claim(s) or which is cited to establish the publication date of another citation or other special reason (as specified)</p> <p>*O* document referring to an oral disclosure, use, exhibition or other means</p> <p>*P* document published prior to the international filing date but later than the priority date claimed</p> | <p>*T* later document published after the international filing date or priority date and not in conflict with the application but cited to understand the principle or theory underlying the invention</p> <p>*X* document of particular relevance; the claimed invention cannot be considered novel or cannot be considered to involve an inventive step when the document is taken alone</p> <p>*Y* document of particular relevance; the claimed invention cannot be considered to involve an inventive step when the document is combined with one or more other such documents, such combination being obvious to a person skilled in the art.</p> <p>*&* document member of the same patent family</p> |
|--|--|

Date of the actual completion of the international search 23 January 2009	Date of mailing of the international search report 02/02/2009
---	---

Name and mailing address of the ISA/ European Patent Office, P.B. 5818 Patentlaan 2 NL - 2280 HV Rijswijk Tel. (+31-70) 340-2040, Fax: (+31-70) 340-3016	Authorized officer Wolf, William
--	--

INTERNATIONAL SEARCH REPORT

International application No
PCT/IB2008/001978

Patent document cited in search report	Publication date	Patent family member(s)	Publication date
US 2007103303 A1	10-05-2007	WO 2007056333 A2	18-05-2007
US 2006197660 A1	07-09-2006	NONE	