



US00D883141S

(12) **United States Design Patent**  
**Lin**

(10) **Patent No.:** **US D883,141 S**

(45) **Date of Patent:** **\*\* May 5, 2020**

(54) **UNMANNED REMOTE CONTROL AIRCRAFT**

(71) Applicant: **Qi Lin**, Shenzhen (CN)

(72) Inventor: **Qi Lin**, Shenzhen (CN)

(\*\*) Term: **15 Years**

(21) Appl. No.: **29/712,650**

(22) Filed: **Nov. 11, 2019**

(51) **LOC (12) Cl.** ..... **12-07**

(52) **U.S. Cl.**  
USPC ..... **D12/16.1**

(58) **Field of Classification Search**  
USPC ..... D12/1, 2, 3, 4, 16.1, 319–345;  
D21/437–455  
CPC ..... B64C 29/0033; B64C 2201/021; B64C  
29/02; B64C 2201/088; B64C 2201/104;  
B64C 2201/141  
See application file for complete search history.

(56) **References Cited**

**U.S. PATENT DOCUMENTS**

D691,514 S *	10/2013	Wang	.....	D12/16.1
D745,435 S *	12/2015	Park	.....	D12/16.1
D760,848 S *	7/2016	McKenna	.....	D12/16.1
D763,134 S *	8/2016	Wang	.....	D12/16.1
D783,453 S	4/2017	Klick	.....	
D783,727 S *	4/2017	Xiao	.....	D21/441
D784,854 S	4/2017	Huang et al.	.....	
D785,717 S *	5/2017	Xiao	.....	D21/441
D793,482 S *	8/2017	Wang	.....	D12/16.1
D796,586 S *	9/2017	Chen	.....	D12/16.1
D798,962 S *	10/2017	Xiao	.....	D21/441
D798,963 S *	10/2017	Xiao	.....	D21/441
D800,016 S *	10/2017	Huang	.....	D12/16.1
D803,724 S	11/2017	Zhou	.....	
D814,385 S *	4/2018	Zhao	.....	D12/328
D817,850 S *	5/2018	Xiao	.....	D12/328
D820,158 S *	6/2018	Jeong	.....	D12/16.1

10,007,272 B2 *	6/2018	Tirpak	.....	G05D 1/0676
D825,669 S *	8/2018	Tompkin	.....	D21/441
10,155,584 B2 *	12/2018	Wang	.....	B64C 39/024
10,165,232 B2 *	12/2018	Quast	.....	B64C 39/02
D843,266 S *	3/2019	Chen	.....	D12/16.1
D864,082 S *	10/2019	Zhou	.....	D12/328
D864,083 S *	10/2019	Zhou	.....	D12/328
10,453,473 B2 *	10/2019	Whittaker	.....	H04R 3/00
2016/0122010 A1 *	5/2016	Tang	.....	G01C 19/02 244/17.23

(Continued)

*Primary Examiner* — Marissa J Cash  
(74) *Attorney, Agent, or Firm* — HYIP

(57) **CLAIM**

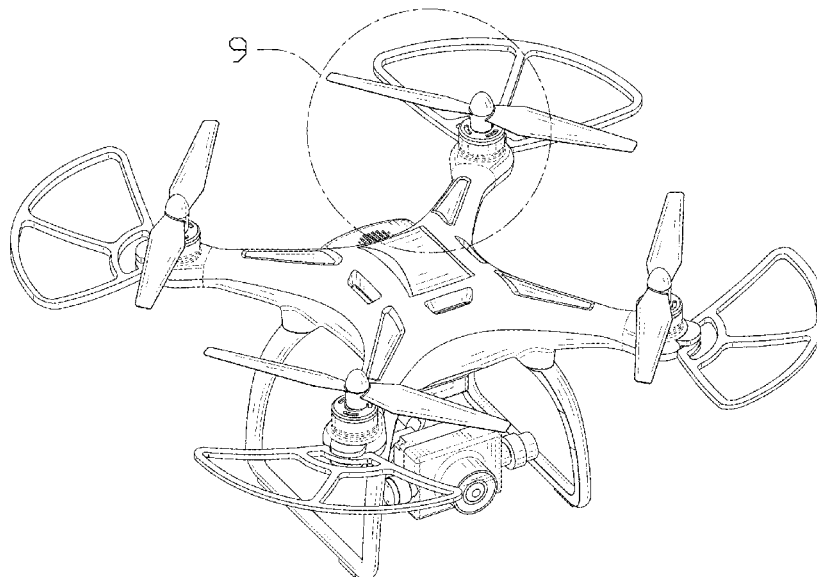
The ornamental design for an unmanned remote control aircraft, as shown and described.

**DESCRIPTION**

FIG. 1 is a first perspective view of an unmanned remote control aircraft showing my new design; FIG. 2 is a second perspective view thereof; FIG. 3 is a front view thereof; FIG. 4 is a back view thereof; FIG. 5 is a left side view thereof; FIG. 6 is a right side view thereof; FIG. 7 is atop view thereof; FIG. 8 is a bottom view thereof; FIG. 9 is an enlarged view of the selected portion in FIG. 1; FIG. 10 is an enlarged view of the selected portion in FIG. 2; and, FIG. 11 is an enlarged view of the selected portion in FIG. 4.

The evenly-spaced broken lines depict portions of the unmanned remote control aircraft that form no part of the claimed design. The dash-dot lines surrounding the detail view are for illustrative purposes only and form no part of the claimed design.

**1 Claim, 11 Drawing Sheets**



(56)

**References Cited**

U.S. PATENT DOCUMENTS

2016/0144734 A1\* 5/2016 Wang ..... B60L 11/822  
701/17  
2016/0183514 A1\* 6/2016 Dederick ..... A01M 29/16  
119/713  
2017/0222594 A1\* 8/2017 Tao ..... H02P 29/60  
2017/0225795 A1\* 8/2017 Lin ..... G06F 12/02  
2017/0237948 A1\* 8/2017 Quast ..... B64C 39/02  
348/144  
2017/0247107 A1\* 8/2017 Hauer ..... B64C 39/024  
2017/0297445 A1\* 10/2017 Zheng ..... B64C 39/024  
2017/0300717 A1\* 10/2017 Hu ..... H04B 7/0608  
2018/0012336 A1\* 1/2018 Cao ..... G06T 7/32

\* cited by examiner

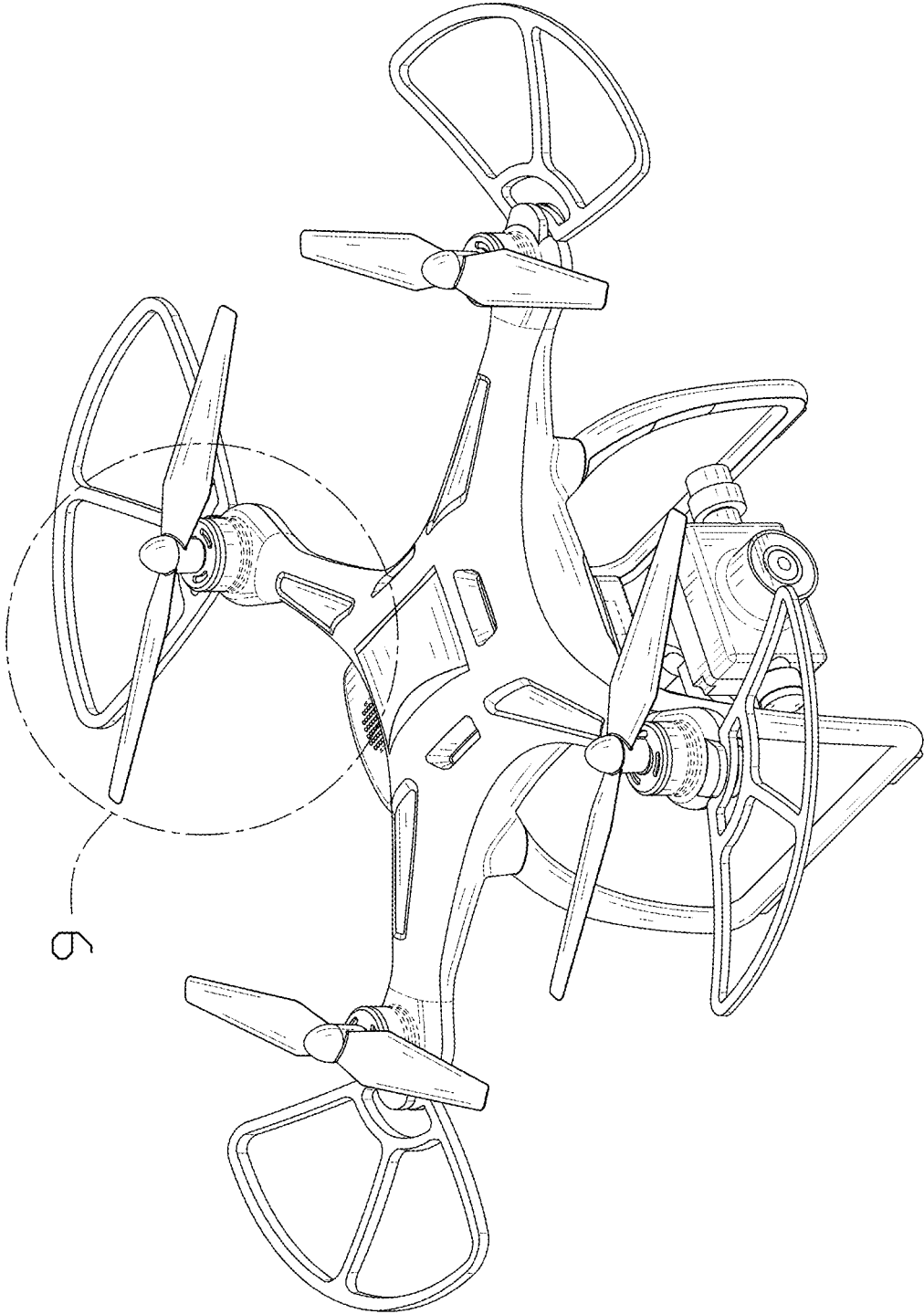


FIG. 1

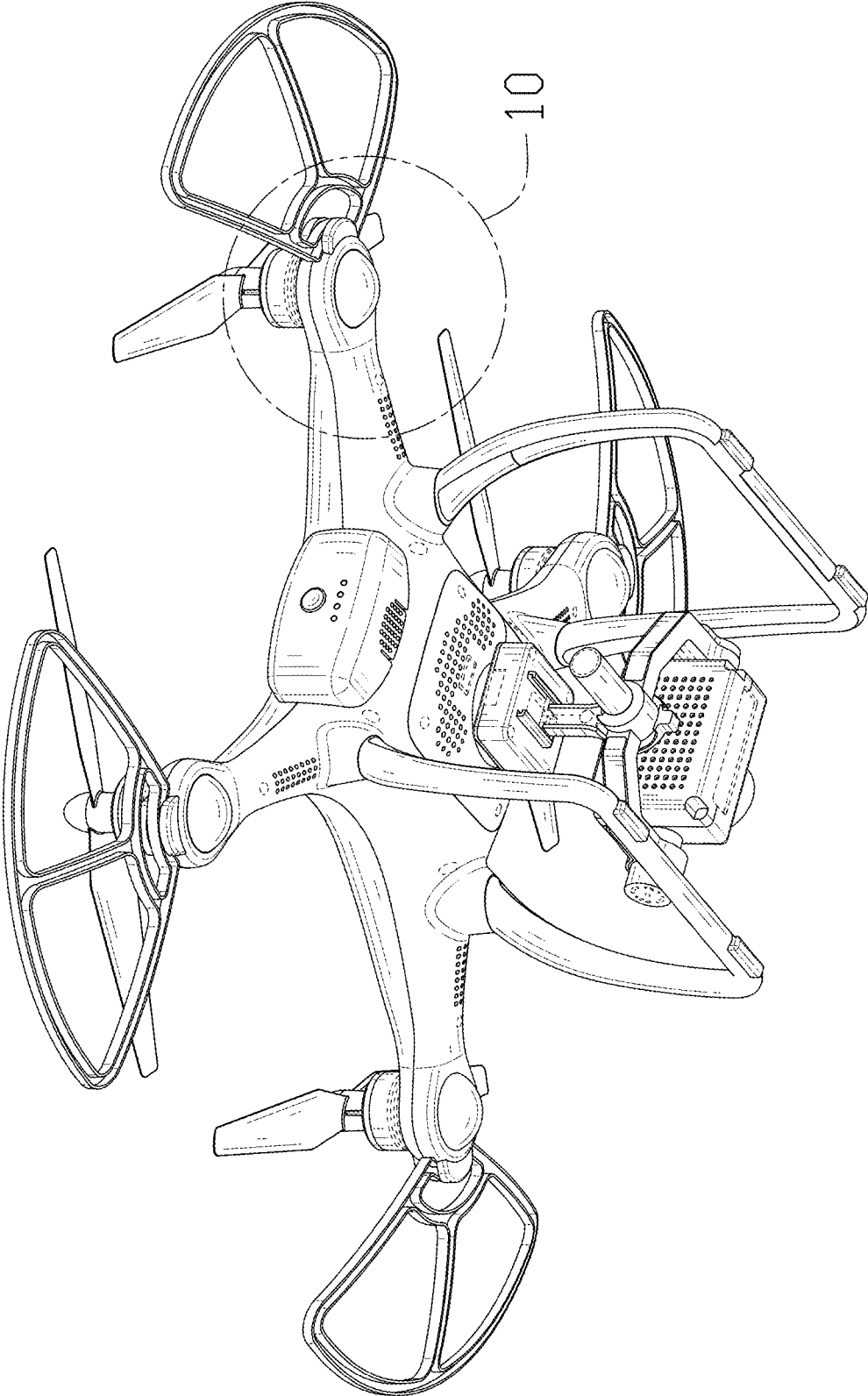


FIG. 2

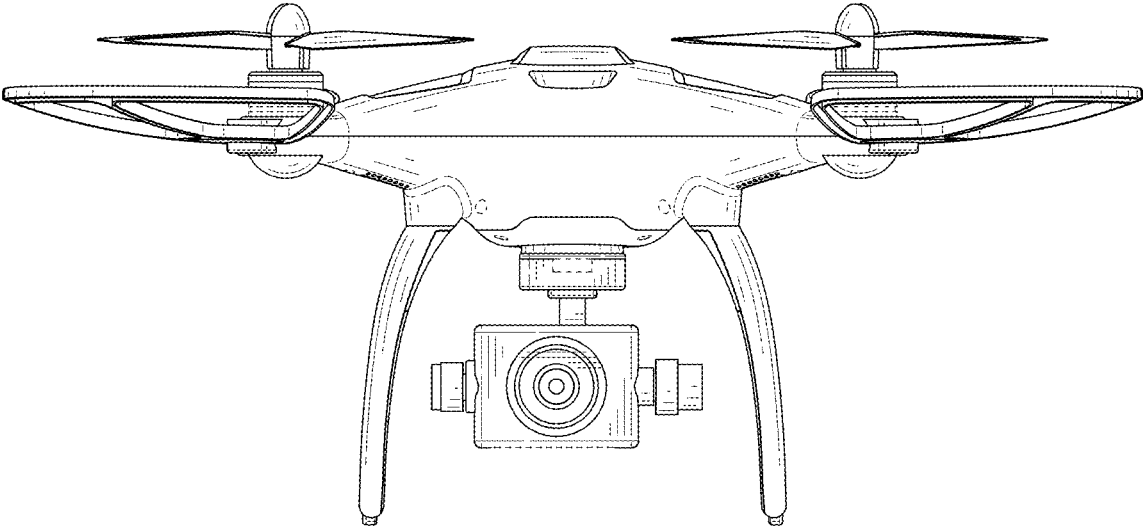


FIG. 3

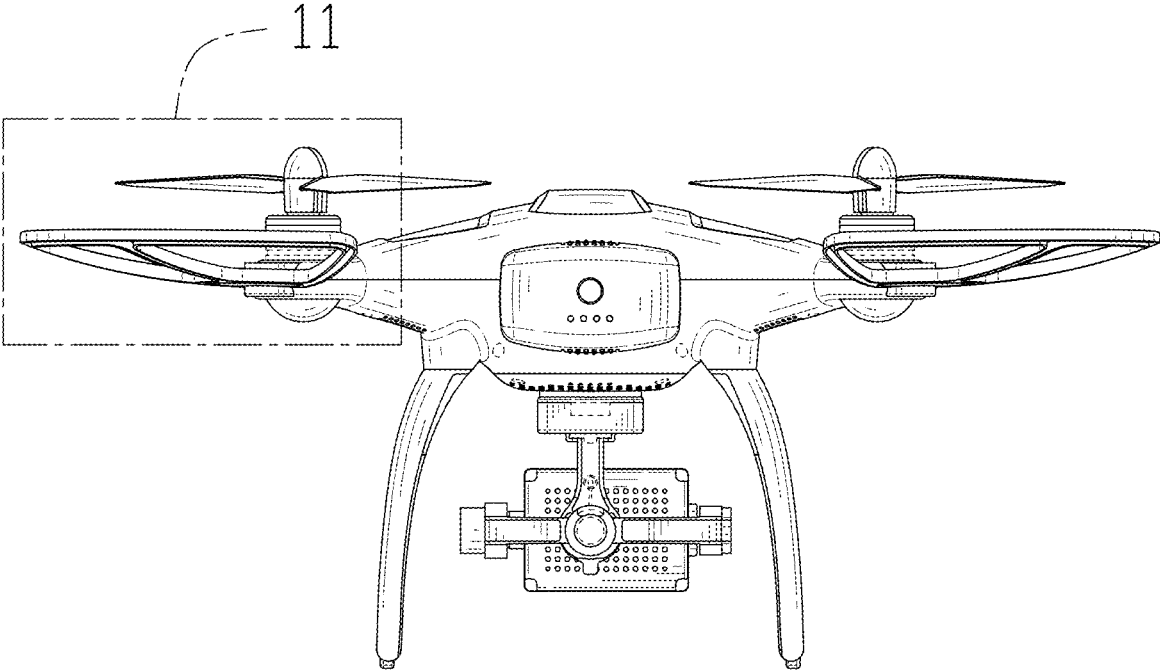


FIG. 4

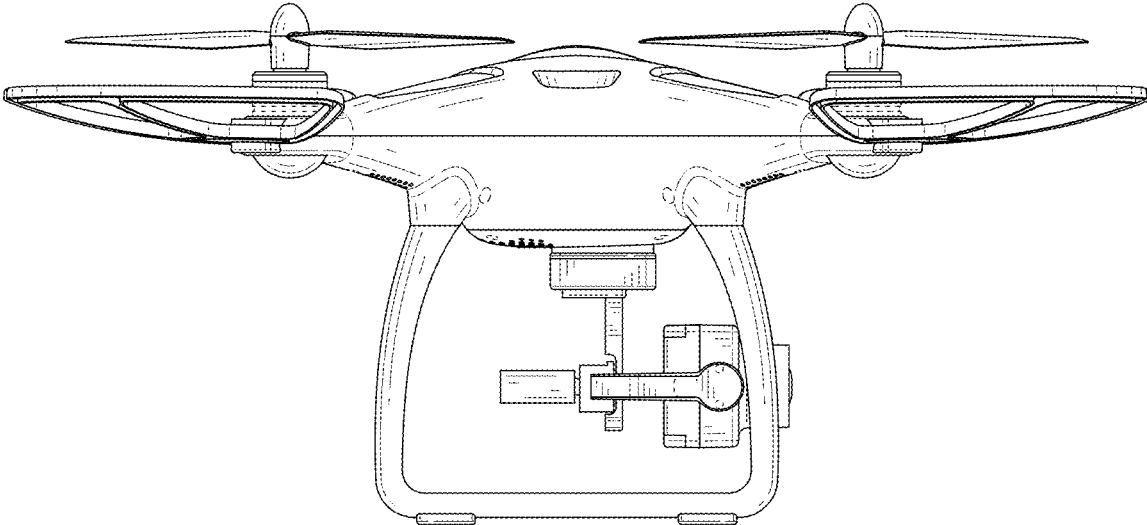


FIG. 5

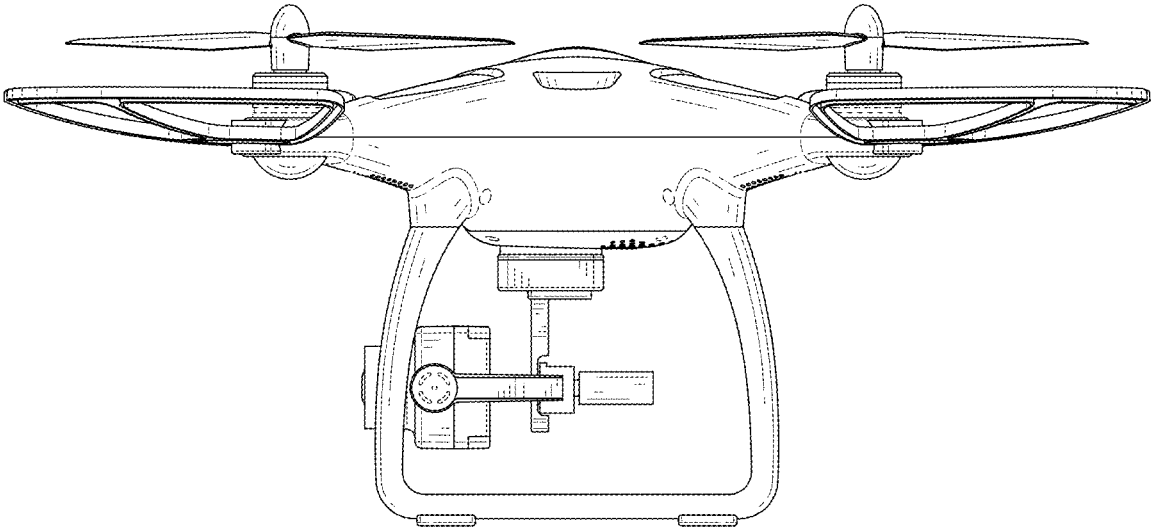


FIG. 6



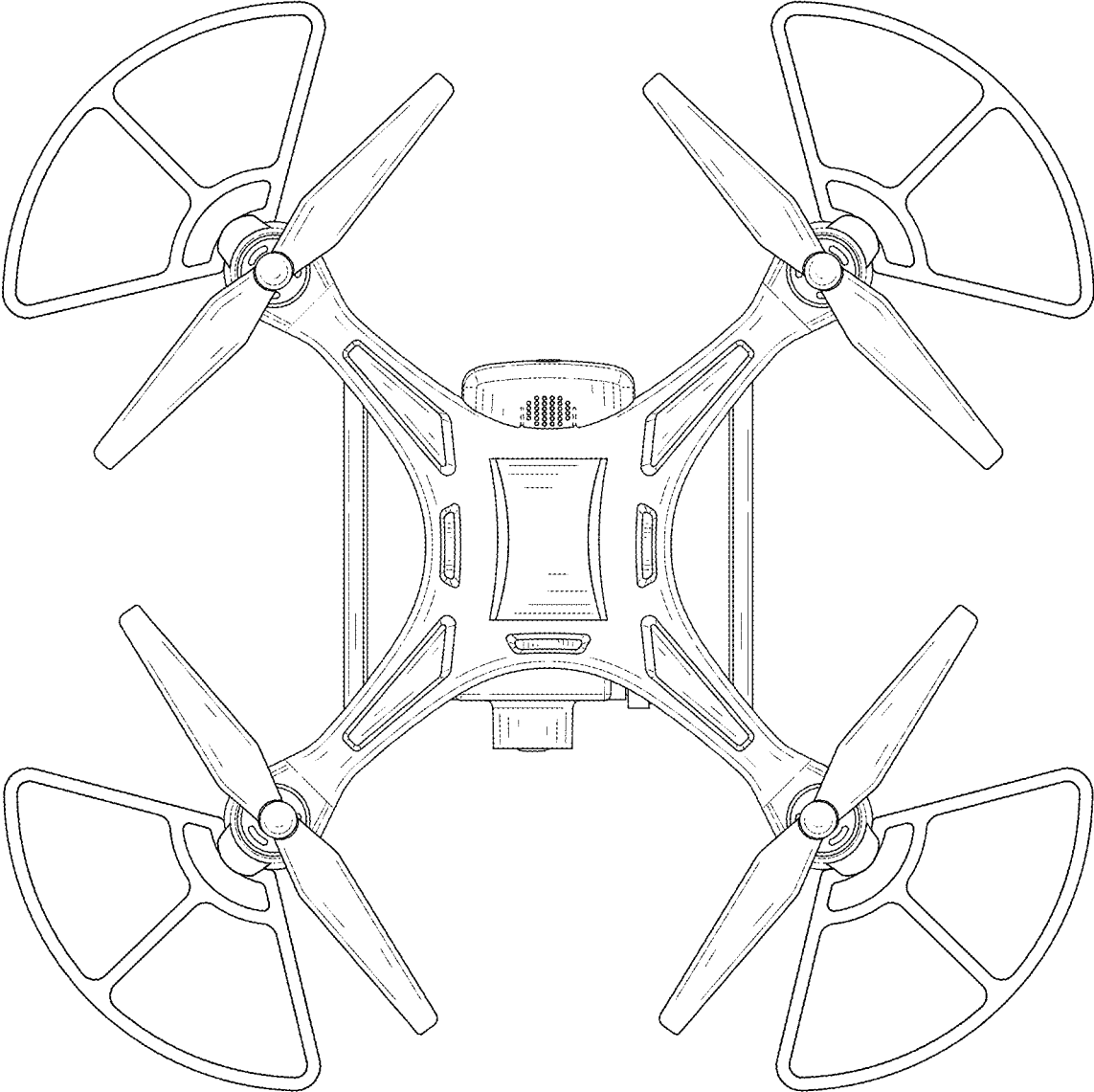


FIG. 7

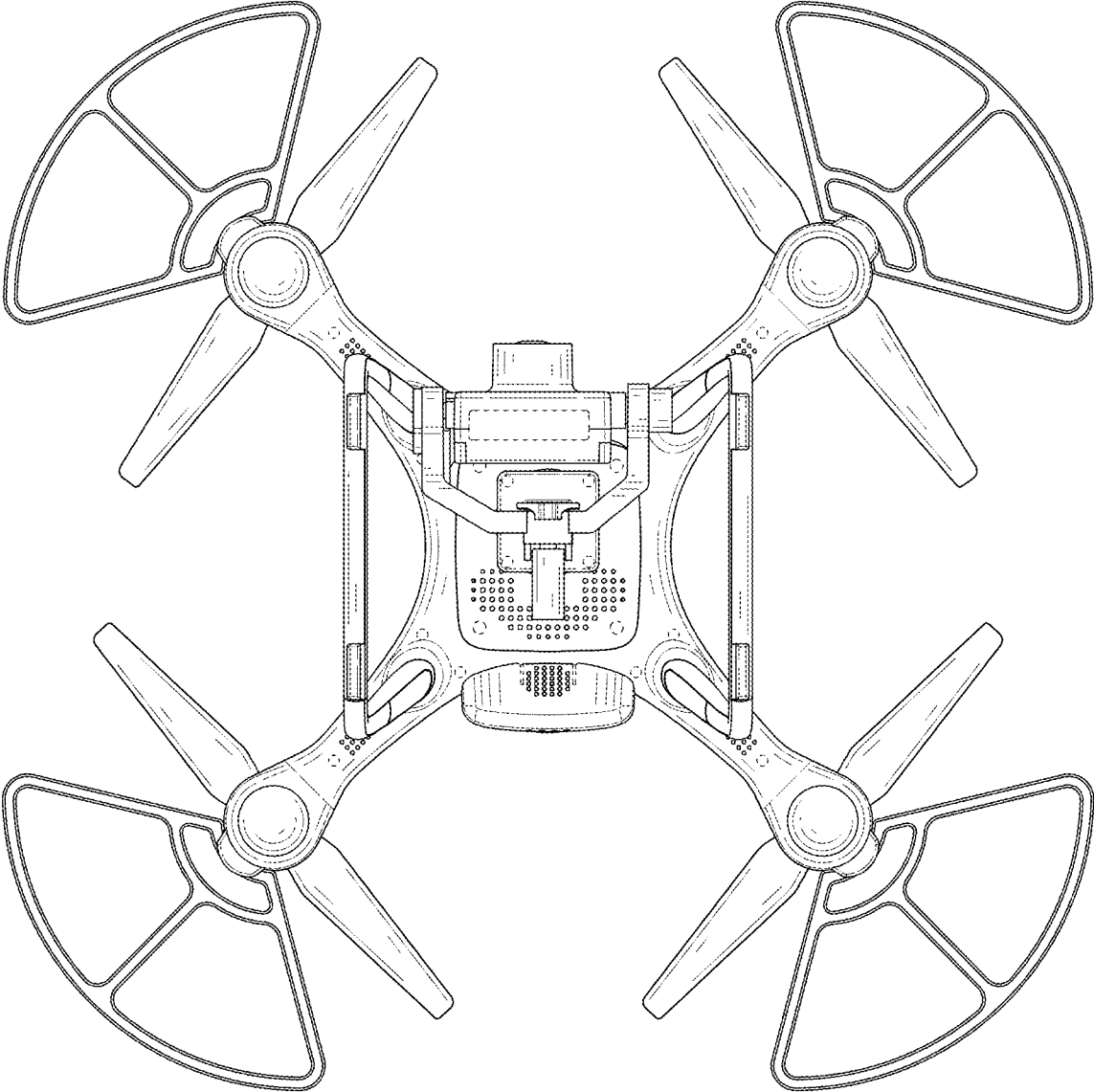


FIG. 8

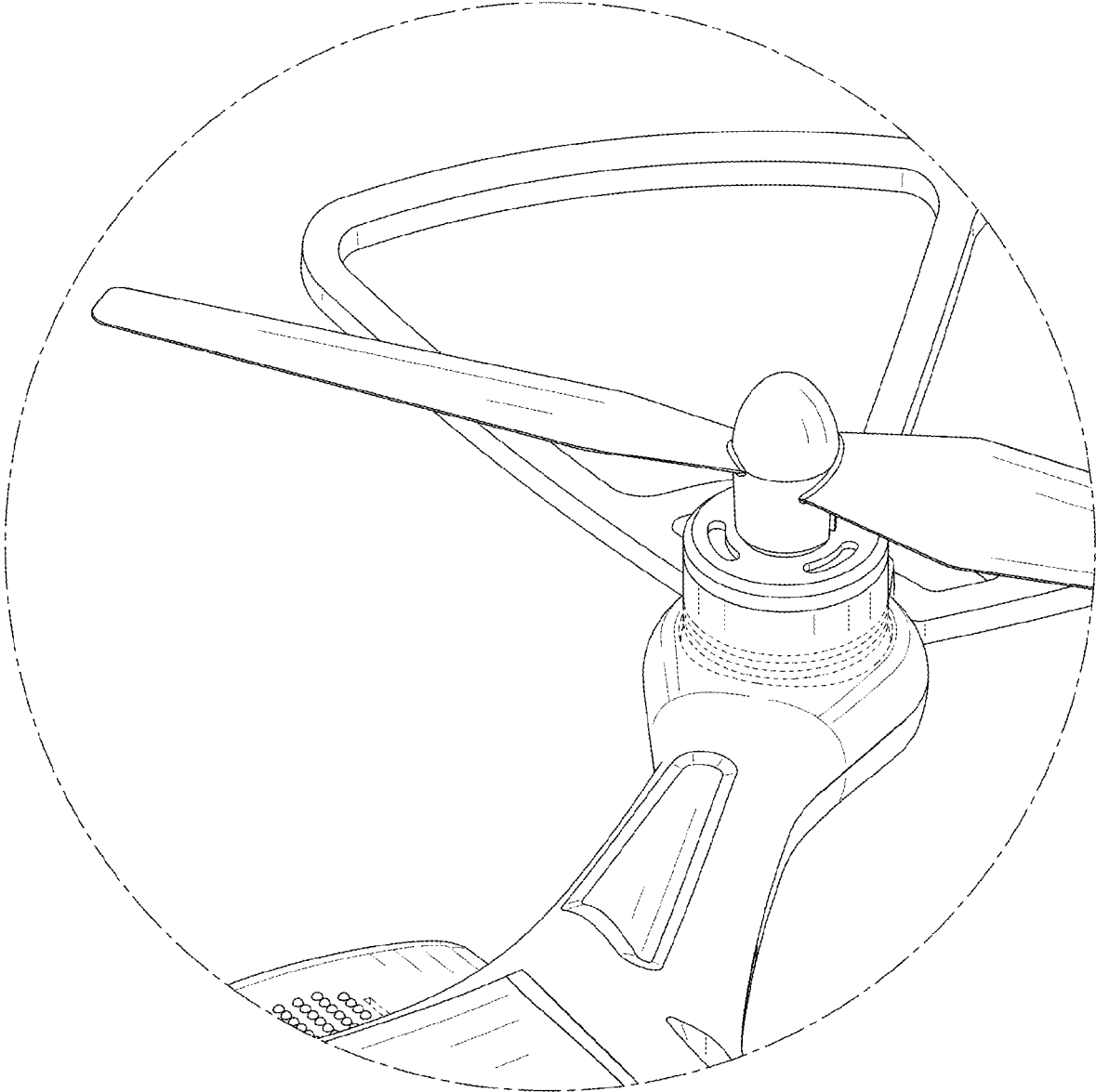


FIG. 9

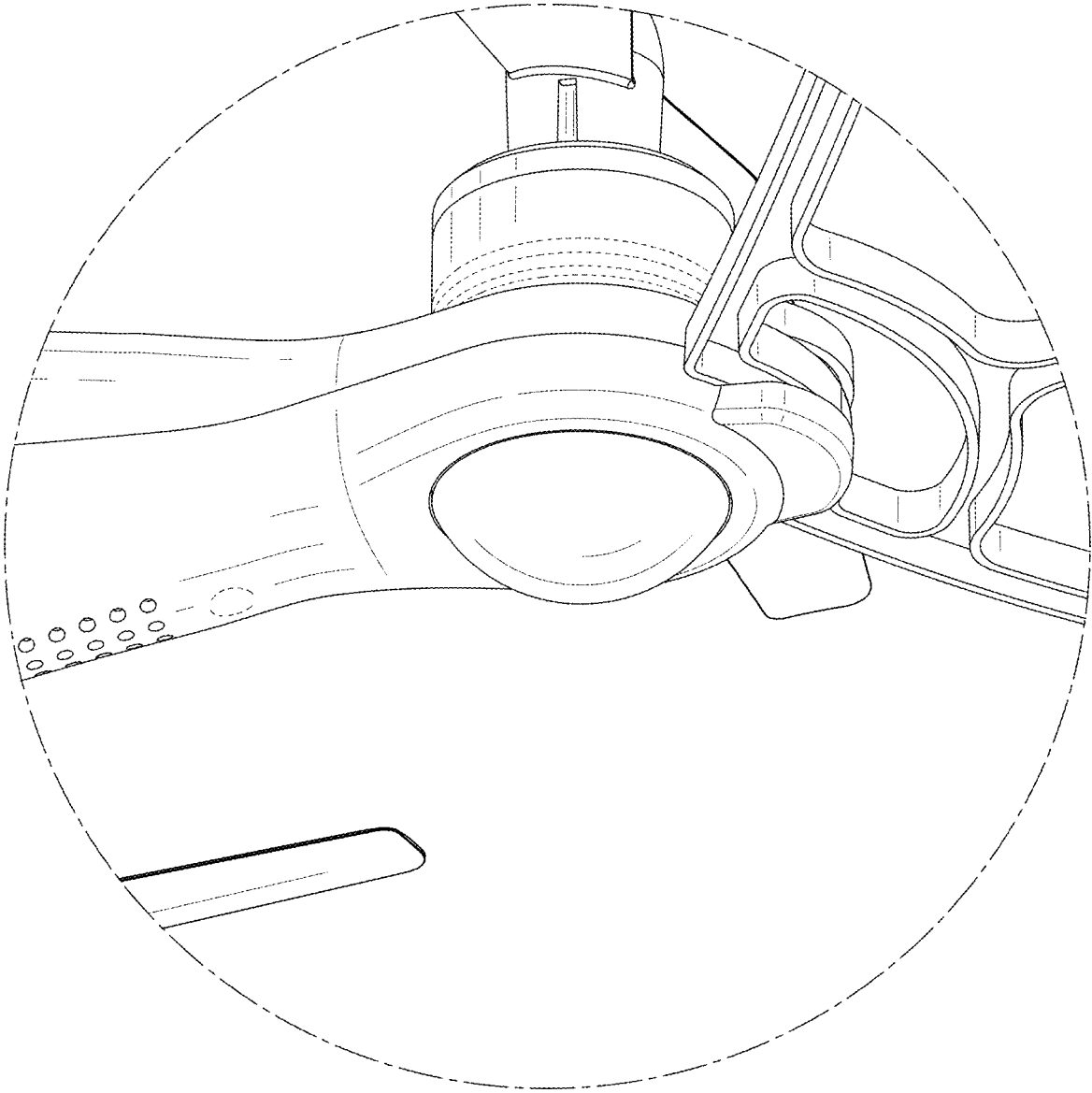


FIG. 10

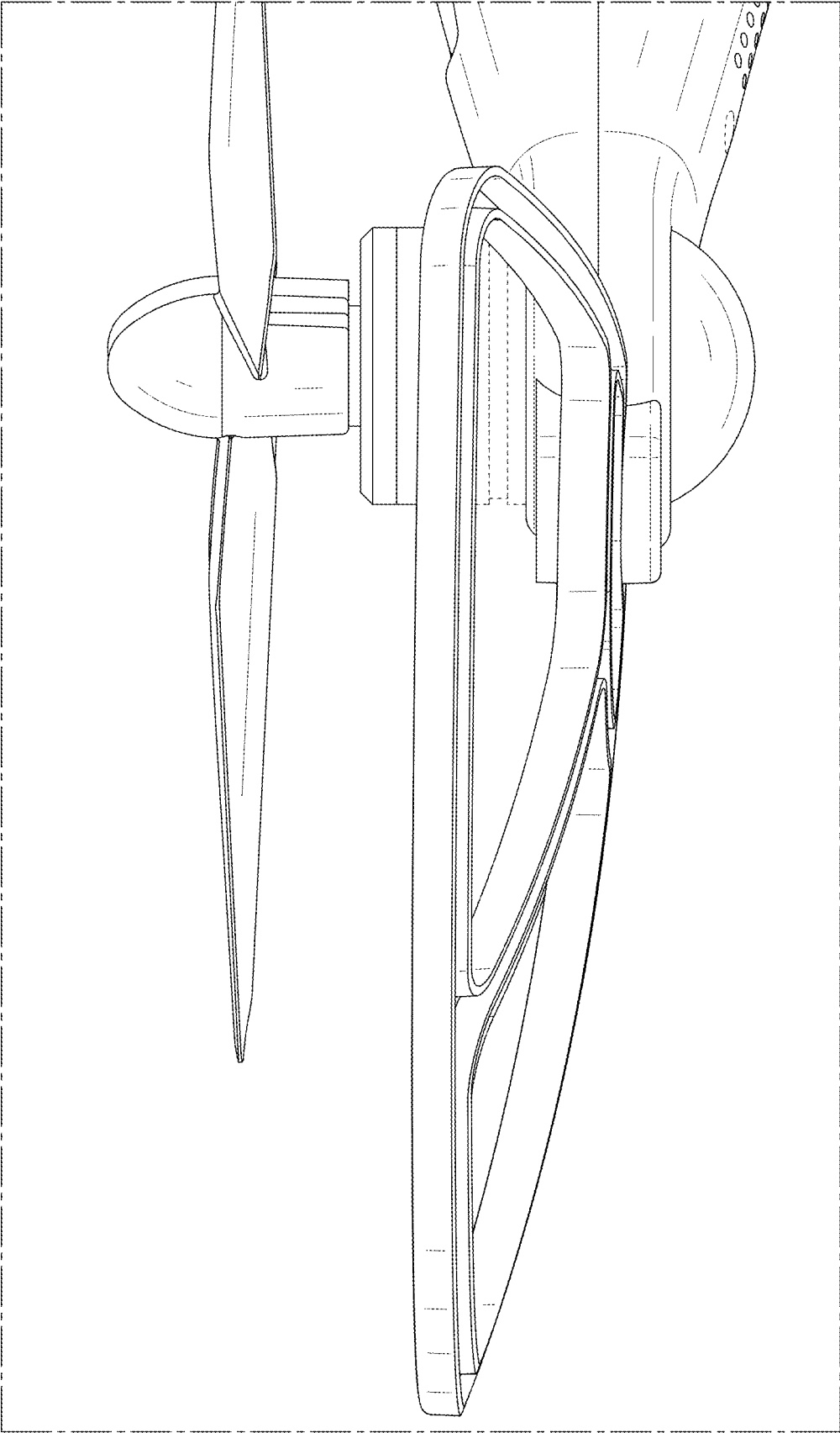


FIG. 11