



(51) International Patent Classification:

F41H 5/04 (2006.01) F41H 5/24 (2006.01)
F41H 5/013 (2006.01)

(21) International Application Number:

PCT/US2014/027906

(22) International Filing Date:

14 March 2014 (14.03.2014)

(25) Filing Language:

English

(26) Publication Language:

English

(30) Priority Data:

61/788,459 15 March 2013 (15.03.2013) US

(72) Inventor; and

(71) Applicant : WHITAKER, Scott, R. [US/US]; 3042
Symmes Road, Hamilton, OH 45015 (US).

(74) Agent: NESBITT, Daniel, F.; Hasse & Nesbitt LLC, 8837
Chapel Square Drive, Suite C, Cincinnati, OH 45249 (US).

(81) Designated States (unless otherwise indicated, for every
kind of national protection available): AE, AG, AL, AM,
AO, AT, AU, AZ, BA, BB, BG, BH, BN, BR, BW, BY,
BZ, CA, CH, CL, CN, CO, CR, CU, CZ, DE, DK, DM,
DO, DZ, EC, EE, EG, ES, FI, GB, GD, GE, GH, GM, GT,
HN, HR, HU, ID, IL, IN, IR, IS, JP, KE, KG, KN, KP, KR,

KZ, LA, LC, LK, LR, LS, LT, LU, LY, MA, MD, ME,
MG, MK, MN, MW, MX, MY, MZ, NA, NG, NI, NO, NZ,
OM, PA, PE, PG, PH, PL, PT, QA, RO, RS, RU, RW, SA,
SC, SD, SE, SG, SK, SL, SM, ST, SV, SY, TH, TJ, TM,
TN, TR, TT, TZ, UA, UG, US, UZ, VC, VN, ZA, ZM,
ZW.

(84) Designated States (unless otherwise indicated, for every
kind of regional protection available): ARIPO (BW, GH,
GM, KE, LR, LS, MW, MZ, NA, RW, SD, SL, SZ, TZ,
UG, ZM, ZW), Eurasian (AM, AZ, BY, KG, KZ, RU, TJ,
TM), European (AL, AT, BE, BG, CH, CY, CZ, DE, DK,
EE, ES, FI, FR, GB, GR, HR, HU, IE, IS, IT, LT, LU, LV,
MC, MK, MT, NL, NO, PL, PT, RO, RS, SE, SI, SK, SM,
TR), OAPI (BF, BJ, CF, CG, CI, CM, GA, GN, GQ, GW,
KM, ML, MR, NE, SN, TD, TG).

Published:

- with international search report (Art. 21(3))
- before the expiration of the time limit for amending the
claims and to be republished in the event of receipt of
amendments (Rule 48.2(h))

(88) Date of publication of the international search report:

6 August 2015

(54) Title: BALLISTIC SHIELD COMPRISING ABALLISTIC FABRIC AND A BUTYL RUBBER LAYER

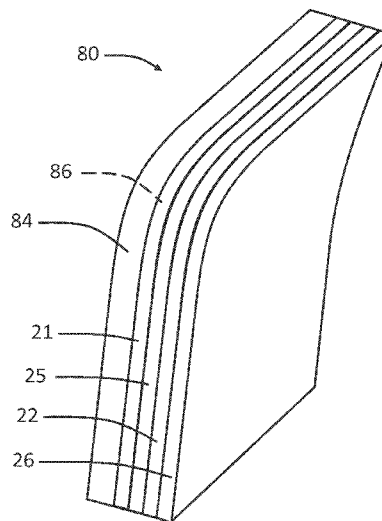
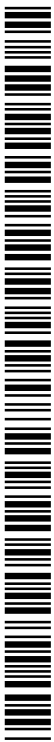


FIG. 7

(57) Abstract: A flexible and malleable ballistic panel comprising a laminate of a plurality of ballistic-resistant layers comprising ballistic material, each the ballistic-resistant layer having a first inner surface and second outer surface, and a plurality of bonding layers comprising butyl rubber, each bonding layer having a first inner surface and second outer surface, at least one of the bonding layer being an inner-most layers of the laminate, and neighboring ballistic-resistant layer having a bonding layer therebetween.



INTERNATIONAL SEARCH REPORT

International application No
PCT/US2014/027906

A. CLASSIFICATION OF SUBJECT MATTER
 INV. F41H5/04 F41H5/013
 ADD. F41H5/24

According to International Patent Classification (IPC) or to both national classification and IPC

B. FIELDS SEARCHED

Minimum documentation searched (classification system followed by classification symbols)
 F41H

Documentation searched other than minimum documentation to the extent that such documents are included in the fields searched

Electronic data base consulted during the international search (name of data base and, where practicable, search terms used)
 EPO-Internal

C. DOCUMENTS CONSIDERED TO BE RELEVANT

Category*	Citation of document, with indication, where appropriate, of the relevant passages	Relevant to claim No.
X	EP 0 645 415 A1 (ALLIED SIGNAL INC [US]) 29 March 1995 (1995-03-29) page 2, lines 5-6, 32-42 page 3, lines 12-17, 30-31 page 5, lines 18-26, 40-45 page 6, lines 16-19, 48-50 page 7, lines 14-17, 30-35 -----	1-9, 13-21
X	US 2011/312238 A1 (BADER YVES [FR] ET AL) 22 December 2011 (2011-12-22) paragraphs [0001], [0024], [0025], [0030], [0031], [0047], [0050], [0078], [0080] ----- -/--	1-4,6-9, 13-18, 20,21

Further documents are listed in the continuation of Box C.

See patent family annex.

* Special categories of cited documents :

"A" document defining the general state of the art which is not considered to be of particular relevance

"E" earlier application or patent but published on or after the international filing date

"L" document which may throw doubts on priority claim(s) or which is cited to establish the publication date of another citation or other special reason (as specified)

"O" document referring to an oral disclosure, use, exhibition or other means

"P" document published prior to the international filing date but later than the priority date claimed

"T" later document published after the international filing date or priority date and not in conflict with the application but cited to understand the principle or theory underlying the invention

"X" document of particular relevance; the claimed invention cannot be considered novel or cannot be considered to involve an inventive step when the document is taken alone

"Y" document of particular relevance; the claimed invention cannot be considered to involve an inventive step when the document is combined with one or more other such documents, such combination being obvious to a person skilled in the art

"&" document member of the same patent family

Date of the actual completion of the international search 24 November 2014	Date of mailing of the international search report 24/06/2015
---	--

Name and mailing address of the ISA/ European Patent Office, P.B. 5818 Patentlaan 2 NL - 2280 HV Rijswijk Tel. (+31-70) 340-2040, Fax: (+31-70) 340-3016	Authorized officer Van Leeuwen, Erik
--	---

INTERNATIONAL SEARCH REPORT

International application No
PCT/US2014/027906

C(Continuation). DOCUMENTS CONSIDERED TO BE RELEVANT		
Category*	Citation of document, with indication, where appropriate, of the relevant passages	Relevant to claim No.
X	US 2012/207966 A1 (DICKSON LAWRENCE J [US]) 16 August 2012 (2012-08-16) paragraphs [0006], [0018], [0020], [0052], [0100], [0111], [0119], [0138] -----	1-4,6-9, 13-18, 20,21

INTERNATIONAL SEARCH REPORT

International application No.
PCT/US2014/027906

Box No. II Observations where certain claims were found unsearchable (Continuation of item 2 of first sheet)

This international search report has not been established in respect of certain claims under Article 17(2)(a) for the following reasons:

1. Claims Nos.:
because they relate to subject matter not required to be searched by this Authority, namely:

2. Claims Nos.:
because they relate to parts of the international application that do not comply with the prescribed requirements to such an extent that no meaningful international search can be carried out, specifically:

3. Claims Nos.:
because they are dependent claims and are not drafted in accordance with the second and third sentences of Rule 6.4(a).

Box No. III Observations where unity of invention is lacking (Continuation of item 3 of first sheet)

This International Searching Authority found multiple inventions in this international application, as follows:

see additional sheet

1. As all required additional search fees were timely paid by the applicant, this international search report covers all searchable claims.

2. As all searchable claims could be searched without effort justifying an additional fees, this Authority did not invite payment of additional fees.

3. As only some of the required additional search fees were timely paid by the applicant, this international search report covers only those claims for which fees were paid, specifically claims Nos.:

4. No required additional search fees were timely paid by the applicant. Consequently, this international search report is restricted to the invention first mentioned in the claims; it is covered by claims Nos.:

1-9, 13-21

Remark on Protest

- The additional search fees were accompanied by the applicant's protest and, where applicable, the payment of a protest fee.
- The additional search fees were accompanied by the applicant's protest but the applicable protest fee was not paid within the time limit specified in the invitation.
- No protest accompanied the payment of additional search fees.

FURTHER INFORMATION CONTINUED FROM PCT/ISA/ 210

This International Searching Authority found multiple (groups of) inventions in this international application, as follows:

1. claims: 1-9, 13-21

Ballistic shield comprising multiple layers

2. claims: 10-12, 22

Method of applying a ballistic shield to the inside surface,
i.e. the human-occupancy side, of a wall or structure

INTERNATIONAL SEARCH REPORT

Information on patent family members

International application No

PCT/US2014/027906

Patent document cited in search report	Publication date	Patent family member(s)	Publication date	
EP 0645415	A1	29-03-1995	DE 69410375 D1	25-06-1998
			DE 69410375 T2	17-09-1998
			EP 0645415 A1	29-03-1995
			HK 1008429 A1	07-05-1999
			IL 110795 A	13-07-1997
			US 5690526 A	25-11-1997

US 2011312238	A1	22-12-2011	CN 102686788 A	19-09-2012
			EP 2519668 A1	07-11-2012
			JP 2013515637 A	09-05-2013
			KR 20120113764 A	15-10-2012
			US 2011312238 A1	22-12-2011
			WO 2011082201 A1	07-07-2011

US 2012207966	A1	16-08-2012	EP 1912788 A2	23-04-2008
			US 2011048220 A1	03-03-2011
			US 2012207966 A1	16-08-2012
			WO 2007016382 A2	08-02-2007
