

(19) World Intellectual Property Organization  
International Bureau



(43) International Publication Date  
12 June 2008 (12.06.2008)

PCT

(10) International Publication Number  
**WO 2008/070577 A3**

- (51) International Patent Classification:  
F21V 9/14 (2006.01)
- (21) International Application Number:  
PCT/US2007/086174
- (22) International Filing Date:  
30 November 2007 (30.11.2007)
- (25) Filing Language: English
- (26) Publication Language: English
- (30) Priority Data:  
11/566,103 1 December 2006 (01.12.2006) US

(71) Applicant (for all designated States except US):  
**AGOURA TECHNOLOGIES, INC.** [US/US]; Suite 100, 5145 Golden Foothill Parkway, El Dorado Hills, California 95762 (US).

(72) Inventor; and  
(75) Inventor/Applicant (for US only): **LITTLE, Michael J.** [US/US]; 1026 Olson Lane, #822, El Dorado Hills, California 95762 (US).

(74) Agent: **ISENBERG, Joshua D.**; Jdi Patent, 809 Corporate Way, Fremont, California 94539 (US).

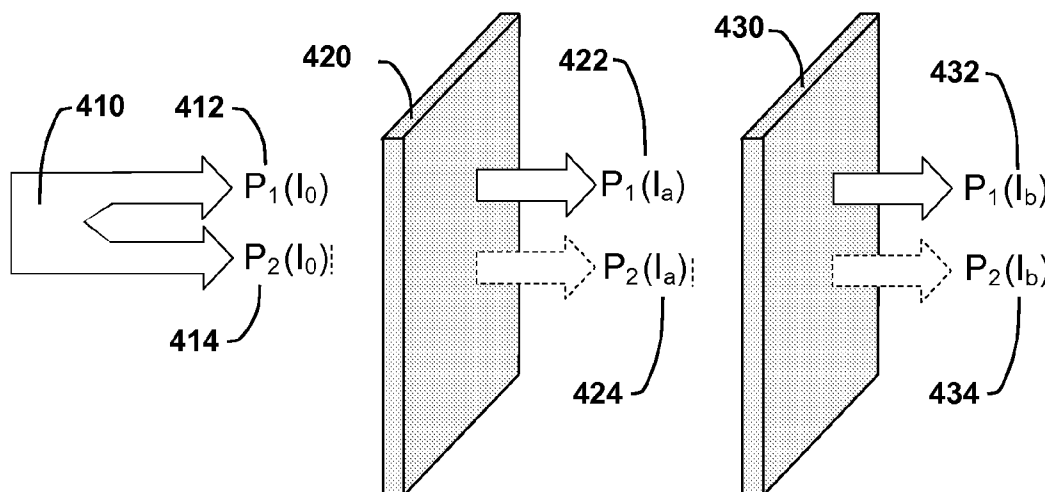
(81) Designated States (unless otherwise indicated, for every kind of national protection available): AE, AG, AL, AM, AT, AU, AZ, BA, BB, BG, BH, BR, BW, BY, BZ, CA, CH, CN, CO, CR, CU, CZ, DE, DK, DM, DO, DZ, EC, EE, EG, ES, FI, GB, GD, GE, GH, GM, GT, HN, HR, HU, ID, IL, IN, IS, JP, KE, KG, KM, KN, KP, KR, KZ, LA, LC, LK, LR, LS, LT, LU, LY, MA, MD, ME, MG, MK, MN, MW, MX, MY, MZ, NA, NG, NI, NO, NZ, OM, PG, PH, PL, PT, RO, RS, RU, SC, SD, SE, SG, SK, SL, SM, SV, SY, TJ, TM, TN, TR, TT, TZ, UA, UG, US, UZ, VC, VN, ZA, ZM, ZW.

(84) Designated States (unless otherwise indicated, for every kind of regional protection available): ARIPO (BW, GH, GM, KE, LS, MW, MZ, NA, SD, SL, SZ, TZ, UG, ZM, ZW), Eurasian (AM, AZ, BY, KG, KZ, MD, RU, TJ, TM), European (AT, BE, BG, CH, CY, CZ, DE, DK, EE, ES, FI, FR, GB, GR, HU, IE, IS, IT, LT, LU, LV, MC, MT, NL, PL, PT, RO, SE, SI, SK, TR), OAPI (BF, BJ, CF, CG, CI, CM, GA, GN, GQ, GW, ML, MR, NE, SN, TD, TG).

**Published:**  
— with international search report  
— before the expiration of the time limit for amending the claims and to be republished in the event of receipt of amendments

(88) Date of publication of the international search report:  
21 August 2008

(54) Title: REFLECTIVE POLARIZER CONFIGURATION FOR LIQUID CRYSTAL DISPLAYS



(57) Abstract: A direct view display apparatus is disclosed. The direct view display apparatus comprises a source of backlight, a liquid crystal array, a tandem reflective polarizer having two or more reflective polarizer elements disposed in tandem between the source of backlight and the liquid crystal array, and a second polarizer. The liquid crystal array is disposed between the tandem reflective polarizers and the second polarizer. The second polarizer is an absorptive polarizer.

WO 2008/070577 A3

**INTERNATIONAL SEARCH REPORT**

International application No.

PCT/US 07/86174

**A. CLASSIFICATION OF SUBJECT MATTER**

IPC(8) - F21V 9/14 (2008.04)

USPC - 362/19

According to International Patent Classification (IPC) or to both national classification and IPC

**B. FIELDS SEARCHED**

Minimum documentation searched (classification system followed by classification symbols)

IPC(8): F21V 9/14 (2008.04)

USPC: 362/19

Documentation searched other than minimum documentation to the extent that such documents are included in the fields searched

IPC(8): F21V 9/14 (2008.04) (text search)

USPC: 362/19, 600 (text search)

Electronic data base consulted during the international search (name of data base and, where practicable, search terms used)

PubWEST(USPT,PGPB,EPAB,JPAB); Internet search via Google Web and Google Scholar search engines. Search terms: liquid crystal LCD display LC polarize backlight back light wire grid period pattern reflective direct view void gap air bond spacing metal metallic reflect clear transparent glass pattern lambda frequency period nano

**C. DOCUMENTS CONSIDERED TO BE RELEVANT**

Category*	Citation of document, with indication, where appropriate, of the relevant passages	Relevant to claim No.
X -- Y	US 2006/0118514 A1 (LITTLE et al.) 28 November 2005 (28.11.2005) para. [0019] through [0091], Fig. 4, 6F, 7E, 7F	1-7 and 10-15 ----- 8 and 9
Y	US 6,846,089 B2 (STEVENSON Et al.) 25 January 2005 (25.01.2005) col. 15 ln. 8-30, Fig. 14A, 14B	8 and 9
A	US 2006/0113279 A1 (LITTLE) 01 June 2006 (01.06.2006)	1-15
A	US 2006/0159958 A1 (LEE) 20 July 2006 (20.07.2006)	1-15

Further documents are listed in the continuation of Box C.

\* Special categories of cited documents:

"A" document defining the general state of the art which is not considered to be of particular relevance

"E" earlier application or patent but published on or after the international filing date

"L" document which may throw doubts on priority claim(s) or which is cited to establish the publication date of another citation or other special reason (as specified)

"O" document referring to an oral disclosure, use, exhibition or other means

"P" document published prior to the international filing date but later than the priority date claimed

"T" later document published after the international filing date or priority date and not in conflict with the application but cited to understand the principle or theory underlying the invention

"X" document of particular relevance; the claimed invention cannot be considered novel or cannot be considered to involve an inventive step when the document is taken alone

"Y" document of particular relevance; the claimed invention cannot be considered to involve an inventive step when the document is combined with one or more other such documents, such combination being obvious to a person skilled in the art

"&" document member of the same patent family

Date of the actual completion of the international search

28 May 2008 (28.05.2008)

Date of mailing of the international search report

**11 JUN 2008**

Name and mailing address of the ISA/US

Mail Stop PCT, Attn: ISA/US, Commissioner for Patents  
P.O. Box 1450, Alexandria, Virginia 22313-1450  
Facsimile No. 571-273-3201

Authorized officer:

Lee W. Young

PCT Helpdesk: 571-272-4300  
PCT OSP: 571-272-7774