



AU9338490

(12) PATENT ABRIDGMENT (11) Document No. AU-B-38490/93
(19) AUSTRALIAN PATENT OFFICE (10) Acceptance No. 658999

- (54) Title
PLUG CONNECTOR FOR OPTICAL FIBERS
- International Patent Classification(s)
(51)⁵ **G02B 006/38**
- (21) Application No. : **38490/93** (22) Application Date : **10.05.93**
- (30) Priority Data
- | (31) Number | (32) Date | (33) Country |
|-----------------|-----------------|--|
| 1625/92 | 20.05.92 | CH SWITZERLAND |
| 92810963 | 08.12.92 | EP EUROPEAN PATENT OFFICE (EPO) |
- (43) Publication Date : **25.11.93**
- (44) Publication Date of Accepted Application : **04.05.95**
- (71) Applicant(s)
DIAMOND S.A.
- (72) Inventor(s)
SILVIO MARAZZI; SILVERIO DE MARCHI
- (74) Attorney or Agent
DAVIES COLLISON CAVE , 1 Little Collins Street, MELBOURNE VIC 3000
- (56) Prior Art Documents
US 4913514
GB 2112173
US 4775327
- (57) Claim

1. Plug connector for optical fibers with a plug portion which possesses at least one connector pin with a facing side and with a sleeve portion which possesses at least one sleeve for receiving the connector pin, a protective device for protection of the facing side of the connector pin being arranged on the plug portion, said protective device being able to be moved from a closed position in which said facing side is covered to an opened position in which said facing side is exposed, wherein the protective device is a cover which is hinged on the plug portion, said cover having a guide element which is cooperable with guide means in the sleeve portion in such a way that the cover is able to be moved to the opened position through linear insertion of the plug portion into the sleeve portion, and with extraction of the plug portion out of the sleeve portion is able to be moved into the closed position.

658003

AUSTRALIA
PATENTS ACT 1990
COMPLETE SPECIFICATION

NAME OF APPLICANT(S):

Diamond S.A.

ADDRESS FOR SERVICE:

DAVIES COLLISON CAVE
Patent Attorneys
1 Little Collins Street, Melbourne, 3000.

INVENTION TITLE:

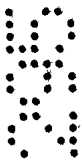
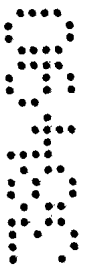
Plug connector for optical fibers

The following statement is a full description of this invention, including the best method of performing it known to me/us:-

M 045874 240593

The invention concerns a plug connector for optical fibers. As opposed to electrical plug connectors, with optical plug connectors even slight contamination can lead to transmission losses, since glass fibers possessing the smallest of cross sections must be aligned with one another, face to face. Protective devices have already been anticipated, therefore, with the aid of which the connector pin can be protected when the plug is not inserted. The invention is particularly concerned with plug connectors for optical fibres of the type with a plug portion which possesses at least one connector pin with a facing side and with a sleeve portion which possesses at least one sleeve for receiving the connector pin, a protective device for protection of the facing side of the connector pin being arranged on the plug portion, the protective device being able to be moved from a closed position in which the facing side is covered to an opened position in which the facing side is exposed.

Until now, however, these types of protective devices have only been provided on relatively sturdy plug connectors for deployment in the field. EP-A-22 000, for example, shows a protective device for a connector which can also be used with optical fibres. The basic principle of the protective device is that the connector pins are covered by two superimposed discs. The discs are able to be rotated in relation to one another about a common axis, and are provided with openings which lie one above the other, to converge in at least one relative position and in this way expose the connector pins. The connector pins can then, with a movement running parallel to their axis, be extended through the openings and inserted into the connector sleeves. The disadvantage of this protective device is that it is only suitable for heavy duty connector plug portions with a certain outer diameter. In order to insert the plug portion, not only a rotational movement but also a linear displacement must be carried out. For small plug portions, for example those finding increasing use in the measurement, newscasting and entertainment

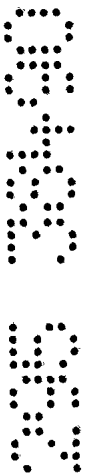


technologies, the known device is not suitable.

It is therefore a purpose of the invention to create a plug
connector of the type mentioned in the opening paragraph
5 above, which reliably protects the connector pin from dust,
finger print and water splash contamination etc., possesses
the simplest construction also with small scale connectors,
and in addition is easy to handle. This purpose is,
according to the invention, solved with a connector
10 possessing the features in claim 1. The cover, hinged on
plug portion, is the only component which can be moved
through a simple linear plugging movement. Complicated
movement sequences to reveal the connector pin are not
required, the connector pin being rather exposed directly
15 during the insertion movement. With that, it is also
reliably ensured that the high precision machined and
relatively sensitive connector pin is only exposed if it is
already situated within the protective sleeve portion. With
that, amongst other things, for example inadvertent eye
20 damage resulting from a laser beam emerging from the
connector pin is also prevented.

The guide means is preferably at least one guide member which
cooperates with the guide element in order to pivot the
25 cover. By this means, the cover can be moved with an
extremely slight force, which in practice is no greater than
the insertion force which is anyway required.

Alternatively, however, the cover can also be mounted on the
30 plug portion to be able to both pivot and slide, the guide
means being at least one guide groove which cooperates with
the guide element in order to pivot and slide the cover.
This combined pivot/slide movement of the cover has the
advantage that the lid can be accommodated within the sleeve
35 portion in a space saving way.



Instead of a circular path, the outer edge of the cover inscribes a curved path requiring considerably less space.

The combined movement of the cover can be realised in a particularly simple way if the guide ~~piece~~^{element} possesses at least one linkage element which engages to rotate and slide in a guide slot on the plug portion, and if it possesses at least one engagement member which engages, when the cover is closed, in the guide groove on the sleeve portion. Linkage element and engagement member also ensure precise guidance, also when movement sequences are rapid. The guide ~~piece~~^{element} and the guide groove take effect together, with advantage, in such a way that the cover is retracted into its open position behind the plane of the face of the connector pin. This enables the plug to be inserted into a sleeve portion from both sides in such a way that the opened covers lie opposite one another in the same plane. Rotation of the plug through 180° for overlapping of the lid is not required.

In the open position, the cover is preferably pivoted through approximately 90° relative to the closed position. In this position it requires relatively little space in the sleeve portion. This applies particularly for flat shaped covers. Other relative angles would also be conceivable in the opened position.

Preferably, the cover is preloaded under spring tension into the closed position, so that it always reliably closes when the plug portion is withdrawn. The spring preloading can be produced in totally varying ways. It would be conceivable to mount a coiled spring on the pivot axis, a spring clip or also a step bearing which is formed in such a way that it exerts a spring action in a certain direction as a result of the elasticity of the material.



The cover can also be preloaded in the closed position by means of a sprung cam which presses with spring action against the face and/or against the longitudinal side of the plug portion. This type of sprung cam has the advantage that it can be formed integrally with the cover and therefore that the spring preloading requires no additional parts.

The cover can in principle be formed as a disc, but can also be curved as a bow. In the latter case, it is possible to mount it to be able to slide on a curved track on the plug portion.

The cover can press either directly against the face of the connector pin, or it can be able to be pressed against an end portion which surrounds the connector pin. It is particularly advantageous if the inner side of the cover, oriented toward the plug facing side, is inclined, at least in the area of the connector pin, in relation to the optical axis of the optical fiber within the connector pin in such a way that reflection of light back into the optical fiber is prevented.

As a rule, the ^{guide means defines a control path which} ~~control path~~ is preferably arranged, for reasons of space, within the sleeve portion. In certain cases the kinematic reversal of this principle would be conceivable without problems, so that the control path, for example a guide groove or a guide member, is arranged on the cover, whilst a guide element, for example in the form of a guide cam, is provided on the sleeve portion.

Further advantages and individual features of the invention are apparent from the following descriptions of embodiments, and from the drawings. Namely:

Figure 1 a plug portion in a perspective representation,



Figure 2 a sleeve portion for receiving the plug portion according to figure 1,

Figure 3 the plug portion according to figure 1 in inserted condition, however without sleeve,

Figure 4 a cross section through the sleeve portion according to figure 2 with plug portions inserted from both sides,

Figure 5 a schematic principle representation of the plug connector according to figures 1 to 3,

Figure 6 a schematic representation of an alternative plug connector,

Figure 7 an alternative embodiment of a plug portion with pivotable and slideable cover in a perspective representation with closed cover,

Figure 8 the plug portion according to figure 7 with opened cover,

Figure 9 a plug connector with individually depicted components for the plug portion according to figure 7,

Figure 10 the plug connector according to figure 9 in an assembled condition, respectively during insertion of a plug portion,

Figure 11 a cross section through the plane I-I according to figure 10, in an enlarged scale, and



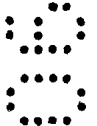
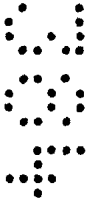
Figure 12 a cross section through the plane II-II according to figure 10, in an enlarged scale.

A plug portion 1 is shown in figure 1, the plug housing 13 of which possesses in principle an approximately rectangular cross section. The connector pin 2 is held in a pin holder 10 which possesses an end portion 9, said end portion possessing a bore, the inner wall of which surrounds the connector pin. The actual plug housing 13 is mounted on the pin holder 10 to be able to axially slide along a small distance. A locking shoulder 11, which lies approximately at the same height as an incline 20 which forms part of the plug housing 13, is in each case arranged on the pin holder on two opposing sides, above and below.

A cover 6, which possesses the same cross sectional area as the end portion 9, is mounted to be able to pivot on the facing side of the end portion 9. On one side a guide piece 8 is arranged on the cover 6. The guide piece possesses here an approximately horn type configuration.

Figure 2 shows a sleeve portion 3 for receiving the plug portion 1. The sleeve portion has in principle a hollow box shaped sleeve housing 16 which is provided with a flange 14 for fixing to a housing wall. On the inside of the sleeve housing the actual sleeve 4, for receiving the connector pin, respectively the connector pins, is held in a sleeve holder 21. Preferably, the sleeve is held to float in the sleeve holder. Sprung tongues 15, on the ends of which a locking catch 12 is located, are arranged on the sleeve housing 16. A control path, which here takes the form of parallel guide members 7, is provided on the inside of the sleeve housing.

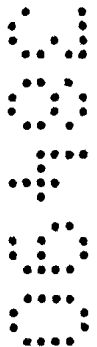
The sleeve holder 21 is held fast in the sleeve housing 16 with the aid of a holding wall 22. The holding wall is



dimensioned in such a way that, both above and below, it leaves free the openings 23, 23' which extend over the entire width. These openings serve the purpose of accommodating the swung open cover 6 of an inserted plug portion 1, as will next be described.

The plug connector with inserted plug portion is shown in figure 3. During introduction of the plug portion, the guide piece 8 of the cover 6 strikes the guide member 7, the cover 6 being pivoted over in the direction of the arrow a. For reasons of increased clarity, the actual connector sleeve 4 is not shown in figure 3. The connector pin 2, however, penetrates into the connector sleeve 4 in the process of the insertion movement, its facing side 5 meeting with the facing side of a neighbouring connector pin within said connector sleeve.

On reaching the required insertion depth, the locking catch 12 engages behind the locking shoulder 11, by which means the plug portion is secured in the sleeve portion. In the case of the embodiment represented, a so-called Push-Pull closure is involved. This engagement device can only be released if the tension force to withdraw the plug portion is exerted on the plug housing 13. With that, the plug housing 13 slides back somewhat relative to the pin holder 10, the incline 20 raising the locking catch 12 so that the locking shoulder 11 is released (Fig. 1). On the other hand, if the tension force is exerted onto the cable, which is not shown here, and thus onto the pin holder 10, the locking catch cannot be disengaged. This type of closure for optical connectors is already known. Naturally, the fastening of the plug portion on the sleeve portion can ensue in other ways, for example with the aid of a ring nut.



When withdrawing the plug portion from the sleeve portion, the guide piece 8 must once again slide over the guide member 7, the cover 6 once again being returned to its closed position. The cover 6 is preferably manufactured from a plastic material and shaped in such a way that it can merely be engaged in the end portion 9. The cover 6 must not necessarily be pivoted back via the guide member. It is without problems conceivable for the closing movement to ensue merely through a return spring, with the aid of a suitable spring element.



Figure 4 schematically shows a sleeve portion 3 according to figure 2, in which a plug portion 1, 1' is inserted from both sides. As can be seen from this figure, this sleeve portion possesses not only a pair of guide members 7 on the underside, but also a pair of guide members 7' on the upper side, indeed arranged to be symmetrically displaced in relation to the plane of contact between both the connector pins. The plug portion 1' is inserted, rotated through 180° in relation to the plug portion 1, the outer contour of the plug housing and the inner contour of the sleeve housing being so shaped that both plug portions can only be inserted in this position. Both the covers 6 and 6' of the plug portions 1 and 1' overlap in their inserted condition, and slide through the openings 23 and 23', according to figure 2. Naturally, however, two identical plug portions must not necessarily be inserted into the sleeve portion 3. It would be conceivable, without problems, to insert a plug portion without a cover into one side, for example if this plug portion is within a housing and must be practically never removed.

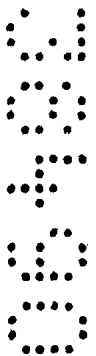


Figure 5 shows, once again schematically, a part of the sleeve 4 and the guide member 7 in the sleeve portion 3, as well as a cover 6 with the guide piece 8. The cover is formed

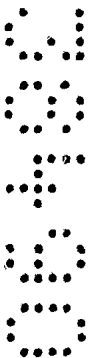
as a cap, the inner wall 17 of the cover being inclined relative to the plug facing side through an angle of α , in order to avoid a return of light back into the optical fiber through reflection. The angle α can, for example, amount to approximately 7° . Naturally, the geometrical relationship between the sleeve 4, the guide member 7 and the cover 6 must be so selected that the cover 6 is flapped up in time, before reaching the sleeve 4. The cover then slides partially beneath the sleeve 4.



An alternative embodiment of the invention is shown schematically in figure 6, the control path does not here comprise a guide member, but a toothed rack section 18. The cover 6 is curved in a bow shape and mounted to slide on a circular bowed track on the end portion 9, for example in side grooves or similar. In place of a guide piece, the cover possesses a toothed segment 19 which meshes with the geared rack 18 during insertion of the plug portion into the sleeve portion. With that, the cover 6 is slid open and the connector pin 2 is revealed before it reaches the sleeve 4.



Naturally, the cover closure according to the invention can be realised not only on plug portions with rectangular cross section. Also plug portions with round cross section can be provided with a moveable cover in the same or a similar way, said cover being likewise then in principle circularly formed. The sleeve portion also does not necessarily need to be a separate component. It would also be conceivable that the sleeve portion is a direct constituent of a plug portion.



In figure 7 to 12, a further embodiment of the invention is shown, with which the cover enacts a combined pivot and sliding movement. Fastening and release of the plug portion in the sleeve portion is also solved in a different way here.

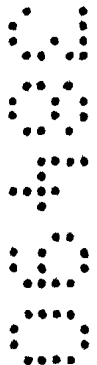
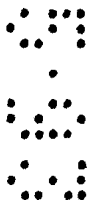
The same types of components possess the same defining numbers as preceding embodiments.

In figures 7 and 8, first of all a plug portion 1 is shown which in principle likewise possesses an approximately rectangular plug housing 13. As will subsequently be explained, the pin holder is however not axially displaceable together with the connector pin 2, but firmly held within the plug housing. The plug housing likewise supports, however, a locking shoulder 11 on which the sleeve portion can be latched. A release lever 25 serves for release, the function of which is more exactly explained in the following.

The cover 6 possesses a guide piece 8 in the shape of two wings running at rightangles to the cover 6. Linkage cams 28 (figure 12) are arranged, not visible here in this illustration, on the inner side of these wings, said cams engaging, each in a guide slot 27 on the side wall of a prismatic guide strip 26. The slots 27 run upwards and exit in the area of the locking shoulders 11, in order that the linkage cams can be introduced. Guide cams 29 are arranged on the outside of the wings 42 at a distance to the linkage cams 28. These guide cams serve the purpose of moving the cover 6 with the aid of guide grooves 30 (figure 12) in the sleeve portion.

In order that the cover 6 remains in the closed position as shown in figure 7, a spring cam 24 is arranged between the wings 42, which presses itself against the facing side of the guide strip 26.

Figure 8 shows a plug portion 1 with opened cover 6. Normally, this position is assumed by the cover 6 only when within the sleeve portion. Naturally, it is also possible, however, to manually pivot the cover upward and slide it

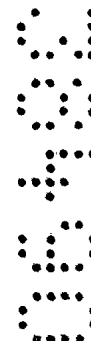
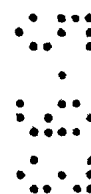


back. With that, the cover 6 carries out a pivoting movement about the axis of the linkage cams 28, and simultaneously the linkage cams slide within the guide slots 27 in the direction of the arrow b, backwards towards the locking shoulder 11. The cover 6 is, with that, withdrawn behind the plane of the facing side 5 of the connector pin 2.

Figure 9 shows the individual parts of a plug connector with the individual components, and figure 10 shows a cross section through a plug connector of this type. The sleeve portion 3 is constructed in two parts and comprises an outer sleeve housing 16 with a flange 14, and an inner sleeve housing 41. As can be in particular seen from figures 11 and 12, also the sleeve portion possesses in principle a box shaped cross section. The inner sleeve housing 41 can be slid into the outer sleeve housing 16, being secured on both sides with a snap-on frame 31. The inner sleeve housing 41 is approximately symmetrical in construction and has guide grooves 30 at its sides for receiving and guidance of the guide cams 29 on the guide piece of the cover. In each case, a sprung tongue 15 with a locking catch 12 is provided in order to fasten and secure the plug portion. Side grooves 43 on the inner wall of the inner sleeve housing 41 can receive the side strips 44 on the plug housing 13. In this way, the plug portion cannot be tilted within the sleeve portion.

The sleeve holder 21 with the actual sleeve 4 for the connector pin is inserted from beneath through an opening in the inner sleeve housing 41. After the outer sleeve housing 16 has been slid over, the sleeve holder 21 is secured.

A two armed leaf spring 33 is clamped beneath the sleeve holder 21 which, with its free ends, preloads a protective flap 32. As can be in particular seen from figure 11, the protective flap 32 is mounted between the inner sleeve



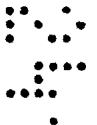
housing 41 and the outer sleeve housing 16 to articulate. These protective flaps prevent light, in particular laser light, from emerging out of a plug inserted only into one of the sides.

The plug portion 1 comprises in principle a plug housing 13, on which the cover 6 and the release lever 25 are fixed. The release lever 25 is engaged with its linkage cam into the openings 45 in the plug housing 13. A lever arm 34 engages, in the inserted condition, under the locking catch 12 on the sleeve portion, so that this can be lifted for release.

As can be particularly seen in figure 12, the inside of the plug housing 13 is partly formed as a splined hub 37. The pin holder 10 possesses a section which is formed as a splined shaft 36. Individual splines 39 on a rear section of the pin holder engage on the shoulders 40 of the splined hub, so that the pin holder 10 can be permanently snap located in the plug housing 13. The splined shaft/splined hub connection serves, at the same time, to establish the relative angled position of the connector pin. In the case of six individual splines, respectively spline grooves, six possible angled positions will result for the connector pin in the plug housing 13. In relation to the centre axis of the optical fiber, the most optimal position can be selected through a measurement procedure, so that that within one plug connector, the most favourably toleranced pair in relation to the eccentricity of the optical fiber will match.

The pin holder 10 is preferably integrally manufactured from plastic material and has a sprung section 38, so that the connector pin 2 is sprung in relation to the plug housing 13.

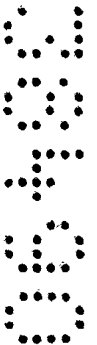
Figure 10 shows a sleeve portion 3 in an assembled condition, which for example is fixed to a wall 46 of the housing. A



plug portion 1 is already inserted on the right hand side and locked, the cover 6 being arranged axis parallel between the guide strip 26 of the plug housing and the tongue 15 of the inner sleeve housing 41. The connector pin 2 penetrates into the sleeve 4. In this position also the protective flap 32 is pressed axis parallel downwards against the force of the leaf spring 33.

On the left side of the plug connector, a front section of a plug portion 1 is shown, inserted into the plug connector. The cover 6 is, with that, first of all still in its closed position. During insertion of the plug portion 1 into the sleeve portion 3, the guide cams 29 engage in the guide grooves 30, which is somewhat facilitated by a wedge shaped extension. The guide grooves 30 have a track run which first of all runs axis parallel and then runs inclined towards the centre axis of the plug connector, and then once again runs axis parallel. In the inclined section, the guide cams are pressed downwards, whereby the pivoting movement of the cover 6 is initiated. The intermediate position of the cover 6 in this inclined section is depicted by means of the dotted line. Simultaneously, the movement of the cover in relation to the plug housing 13 is delayed so that the cover is pulled to the rear. Naturally, in the process of the insertion movement, the protective flap 32 is also continuously pressed downwards until it assumes its end position. As soon as the plug portion 1 has reached its end position, in which the facing sides of the opposing connector pins lie opposite each other, the locking catch 12 engages behind the locking shoulder 11.

In order to withdraw a plug portion from the sleeve portion, merely the release lever 25 must be pressed downwards, the locking catch 12 being raised via the lever arm 34 thus releasing the locking shoulder 11. Naturally, here also



another type of release can be realised for the plug portion, for example with the Push-Pull system described in the introduction.

5 Inasmuch as the invention is subject to modifications and variations, the foregoing description and accompanying drawings should not be regarded as limiting the invention, which is defined by the following claims and various combinations thereof.

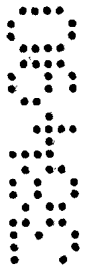
10

Throughout this specification and the claims which follow, unless the context requires otherwise, the word "comprise", or variations such as "comprises" or "comprising", will be understood to imply the inclusion of a stated integer or
15 group of integers but not the exclusion of any other integer or group of integers.



THE CLAIMS DEFINING THE INVENTION ARE AS FOLLOWS:-

1. Plug connector for optical fibers with a plug portion which possesses at least one connector pin with a facing side and with a sleeve portion which possesses at least one sleeve for receiving the connector pin, a protective device for protection of the facing side of the connector pin being arranged on the plug portion, said protective device being able to be moved from a closed position in which said facing side is covered to an opened position in which said facing side is exposed, wherein the protective device is a cover which is hinged on the plug portion, said cover having a guide element which is cooperable with guide means in the sleeve portion in such a way that the cover is able to be moved to the opened position through linear insertion of the plug portion into the sleeve portion, and with extraction of the plug portion out of the sleeve portion is able to be moved into the closed position.
2. Plug connector according to claim 1, wherein the guide means comprises at least one guide member cooperable with the guide element in order to pivot the cover.
3. Plug connector according to claim 1, wherein the cover is mounted so as to be also slidable with respect to the plug portion, the guide means being at least one guide groove which is cooperable with the guide element in order to pivot and slide the cover.
4. Plug connector according to claim 3, wherein the guide element possesses at least one linkage element which engages, to be able to rotate and slide, in a guide slot on the plug portion, and wherein said linkage element possesses at least one engagement member which engages in the guide groove on the sleeve portion when the cover is closed.



5. Plug connector according to claim 3 or claim 4, wherein the guide element and the guide groove are cooperable in such a way that the cover is retracted into the opened position behind the plane of the facing side of the connector pin.
- 5
6. Plug connector according to any one of claims 1 to 5, wherein the cover in the opened position is pivoted through approximately 90° relative to the closed position.
- 10
7. Plug connector according to any one of claims 1 to 6, wherein the cover is preloaded under spring tension into the closed position.
- 15
8. Plug connector according to claim 7, wherein the cover is preloaded with a spring cam into the closed position, said spring cam pressing with spring action against the facing side and/or against the longitudinal side of the plug portion.
- 20
9. Plug connector according to any one of the claims 1 to 8, wherein the connector pin protrudes out of an end portion and the cover is formed as a cap which, in the closed position, is able to be pressed against the facing side of the end portion.
- 25
10. Plug connector according to any one of claims 1 to 9, wherein the inner side of the cover oriented towards the connector facing side is, at least in the area of the connector pin, inclined relative to the optical axis of the optical fiber within the connector pin in such a way that a reflection of light back into the optical fiber is prevented.
- 30
11. Plug connector according to any one of claims 1 to 10, wherein the plug portion possesses a plug housing which



possesses in principle a rectangular cross section.

12. Plug connector according to any one of claims 1 to 11,
wherein the sleeve portion is a central component which
5 is able to be mounted on a housing wall, a plug portion
being able to be slid into said central component from
both sides, and that a separate control path is arranged
for each plug portion in the sleeve portion.
- 10 13. Plug connector according to any one of claims 1 to 12,
wherein the plug portion is able to be fixed on the
sleeve portion by means of an engagement device.
14. A plug connector for optical fibers substantially as
15 hereinbefore described with reference to the drawings
and/or Examples.

Dated this 20th day of February, 1995

20 DIAMOND S.A.

By its patent attorneys
Davies Collison Cave



Abstract

The connector pin (2) is protected by a lid (6) which is opened into the sleeve portion (3) when the plug portion (1) is slid in linearly. For this purpose, a sleeve portion is provided with a control path, for example in the form of guide grooves (30), which coordinates with the cover (6). When withdrawing the plug portion (1), the lid (6) is once again closed with the aid of the control path.

(Figure 10)



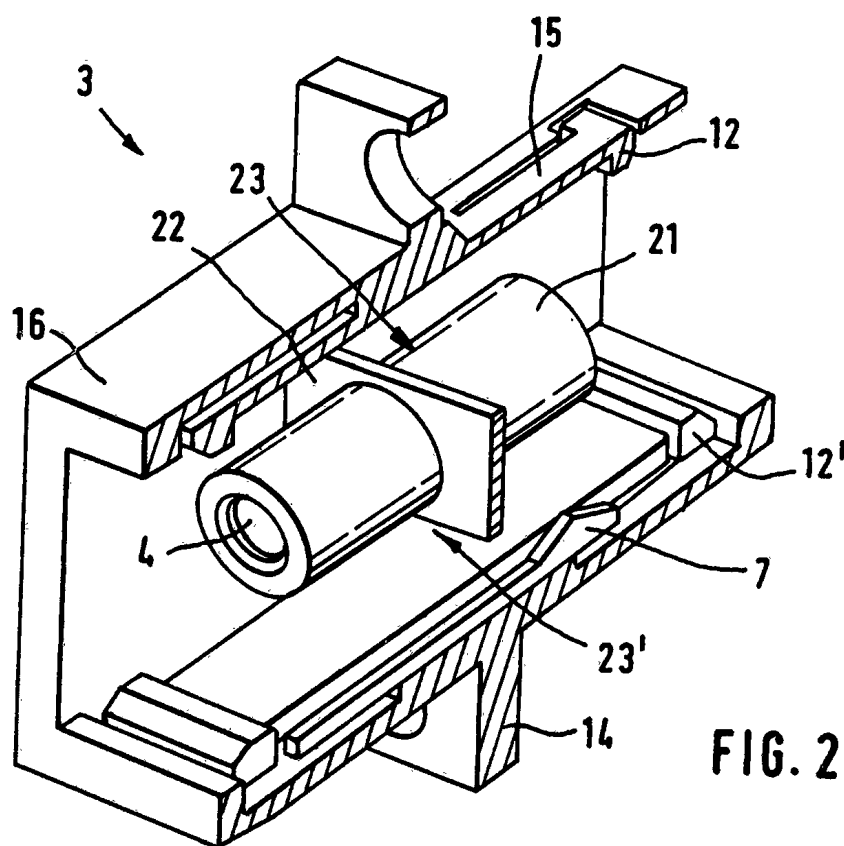
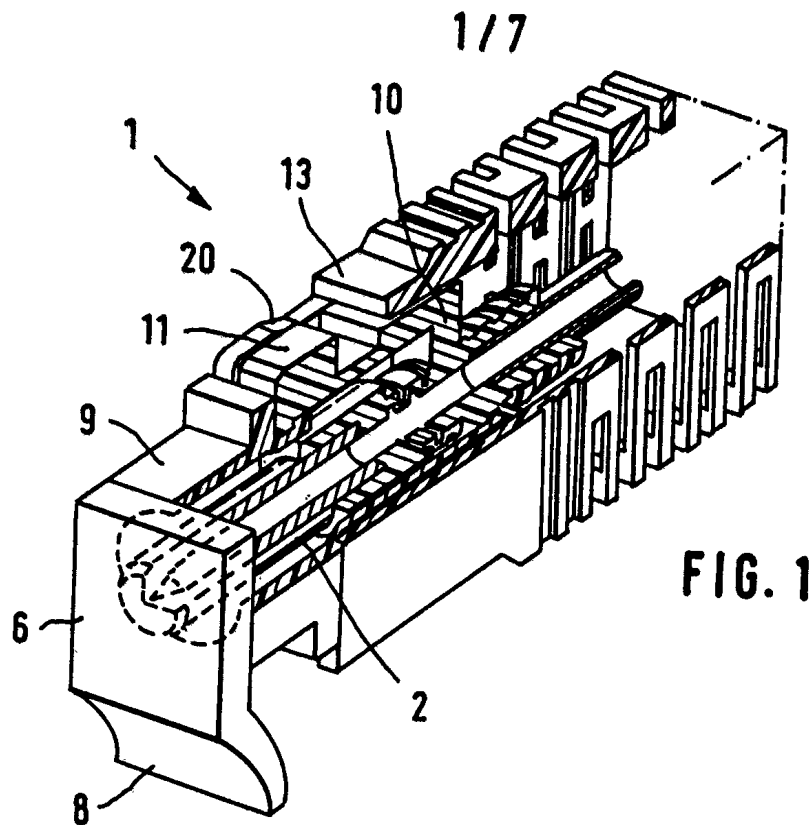


FIG. 3

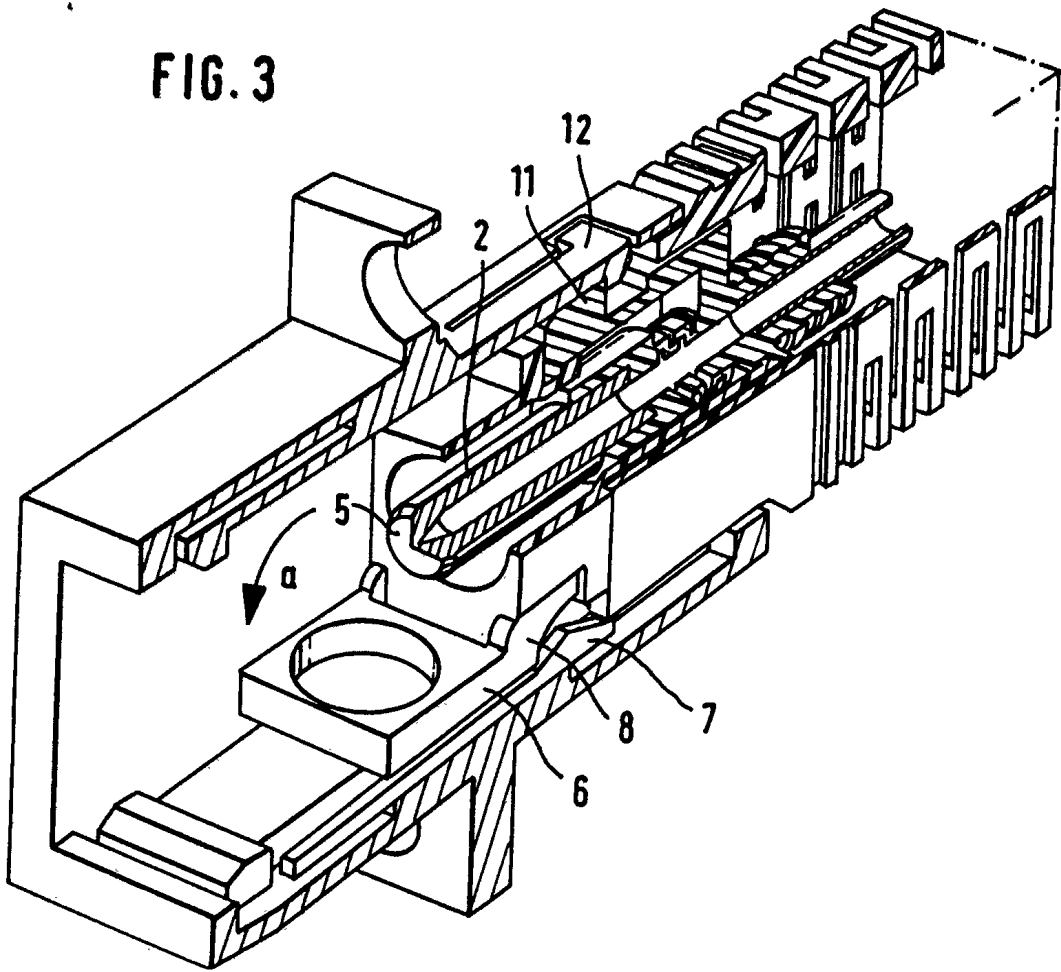
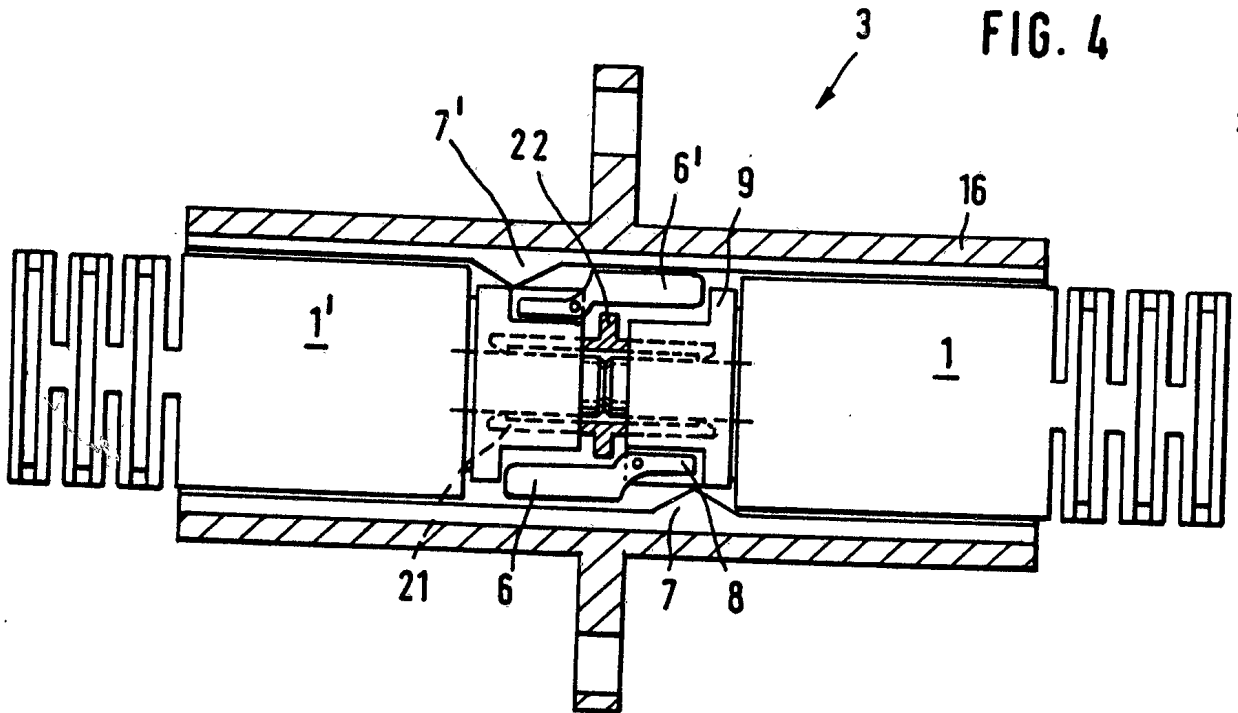


FIG. 4



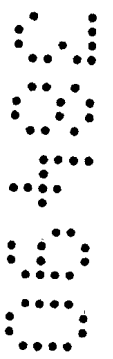
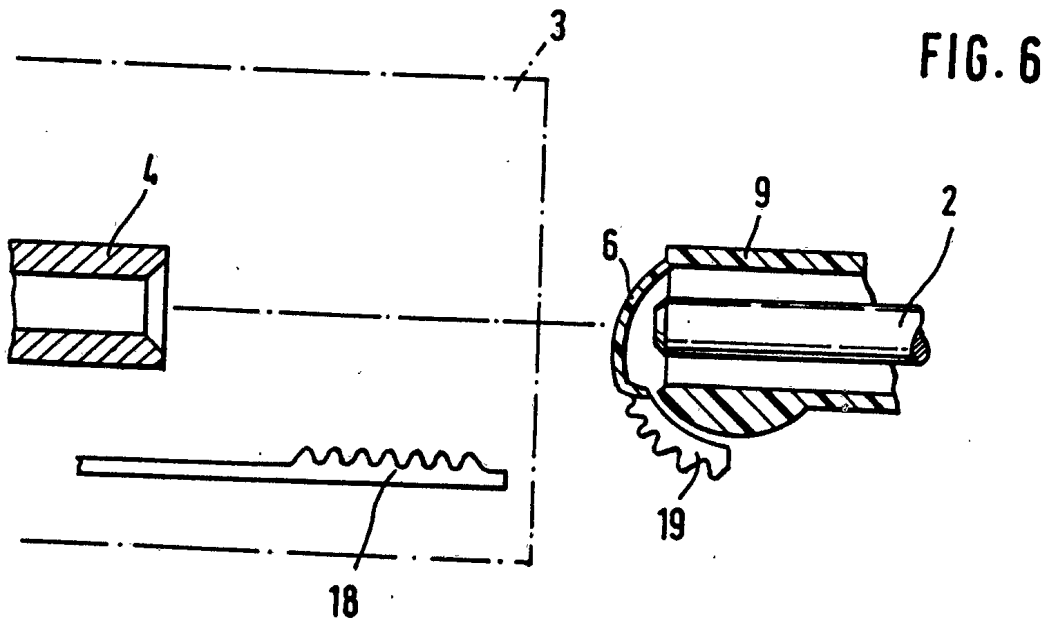
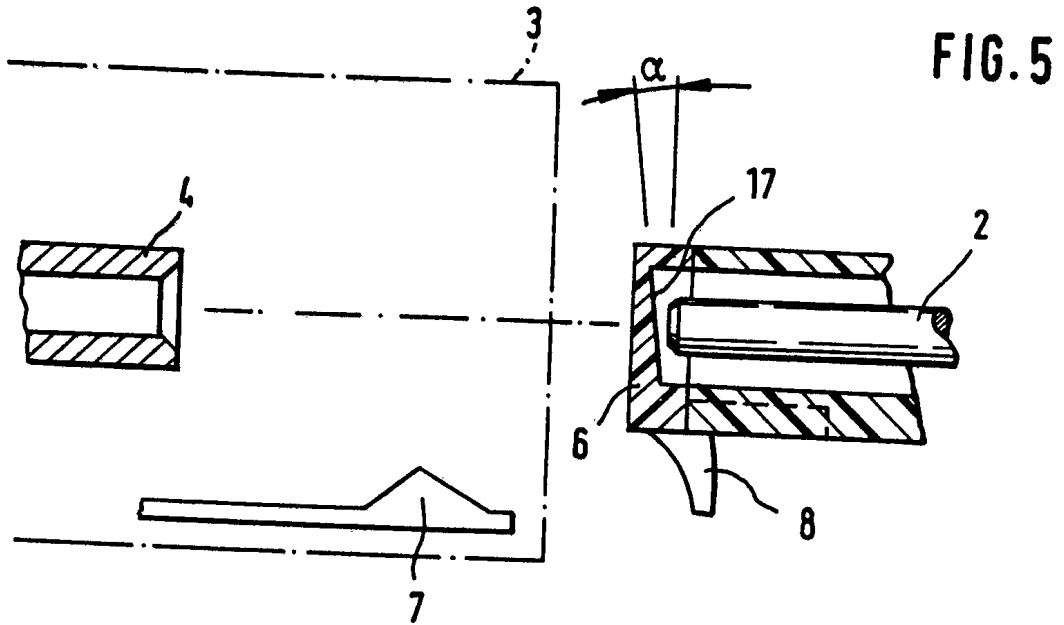


FIG. 7

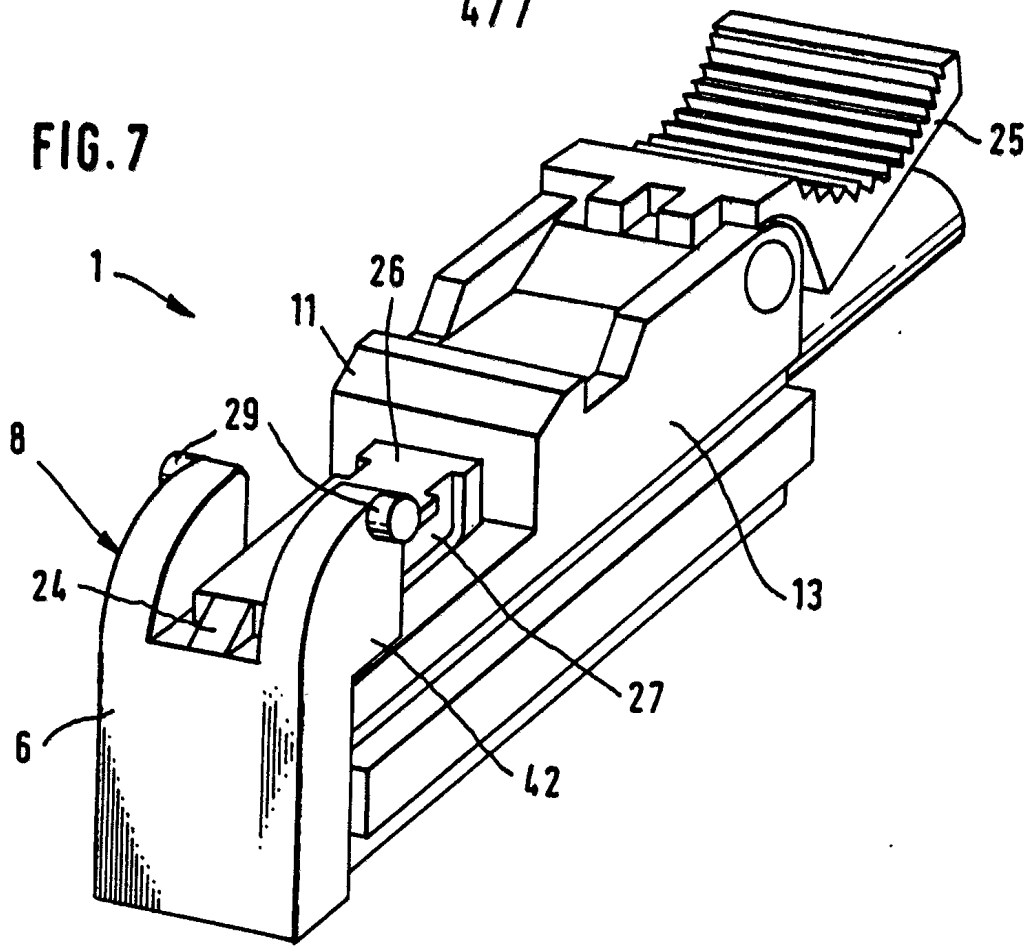


FIG. 8

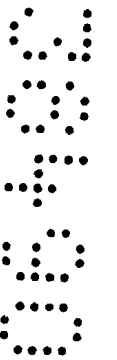
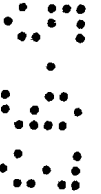
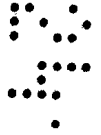
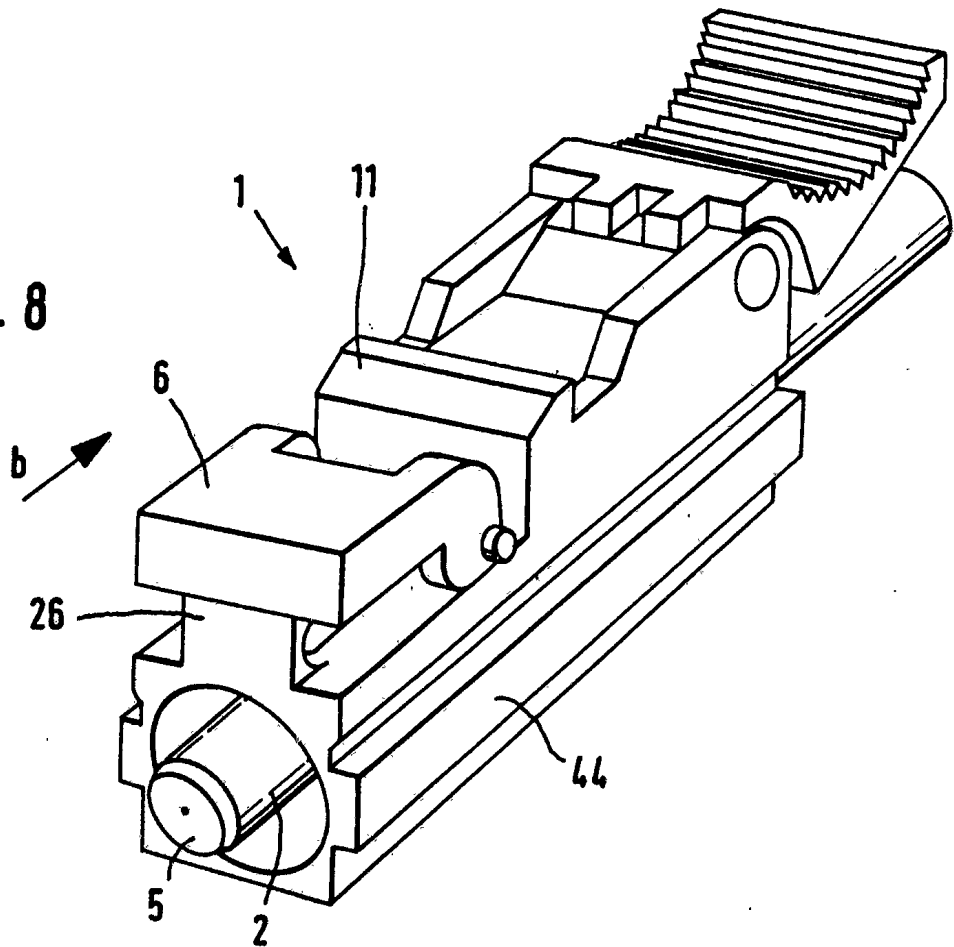


FIG. 9

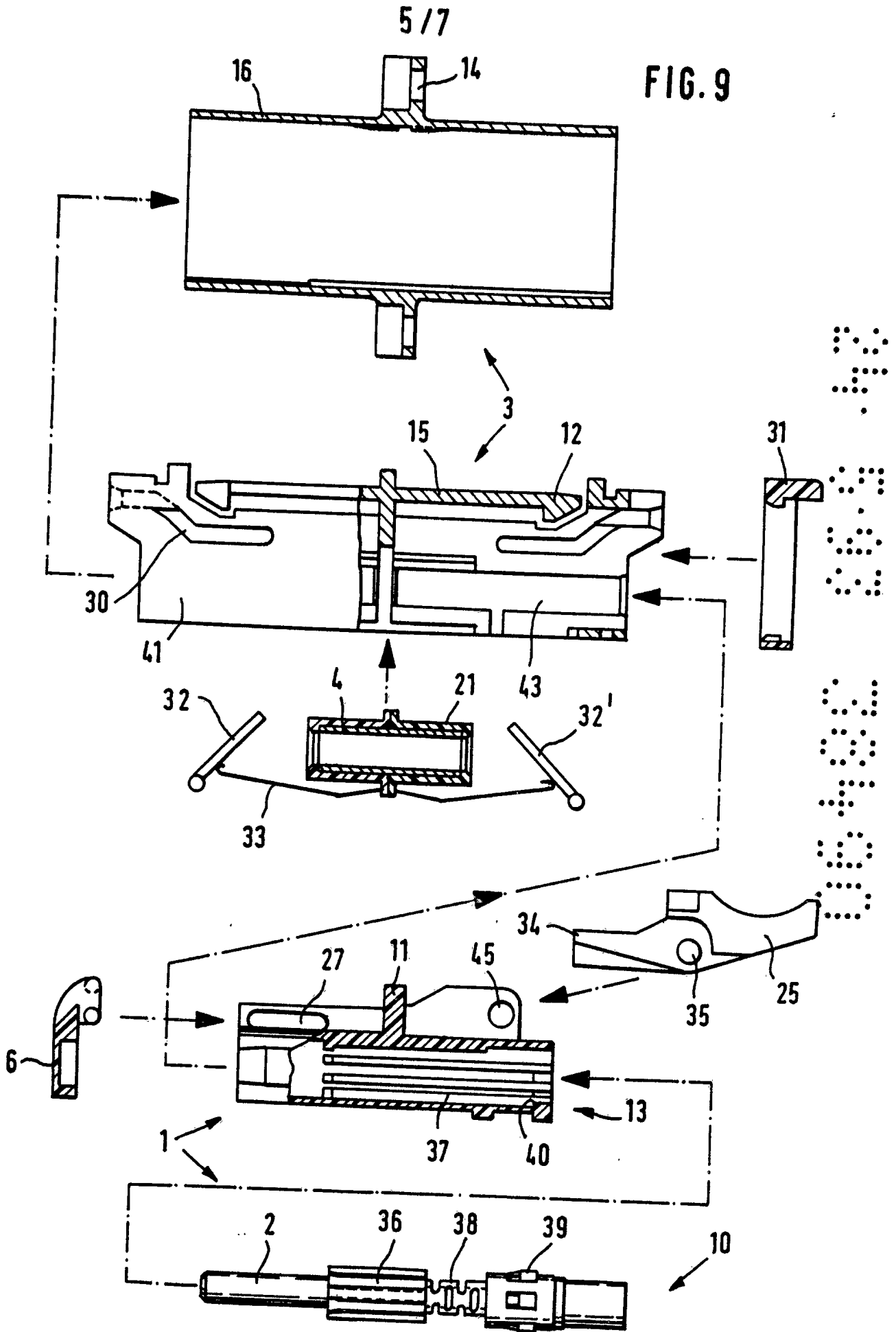
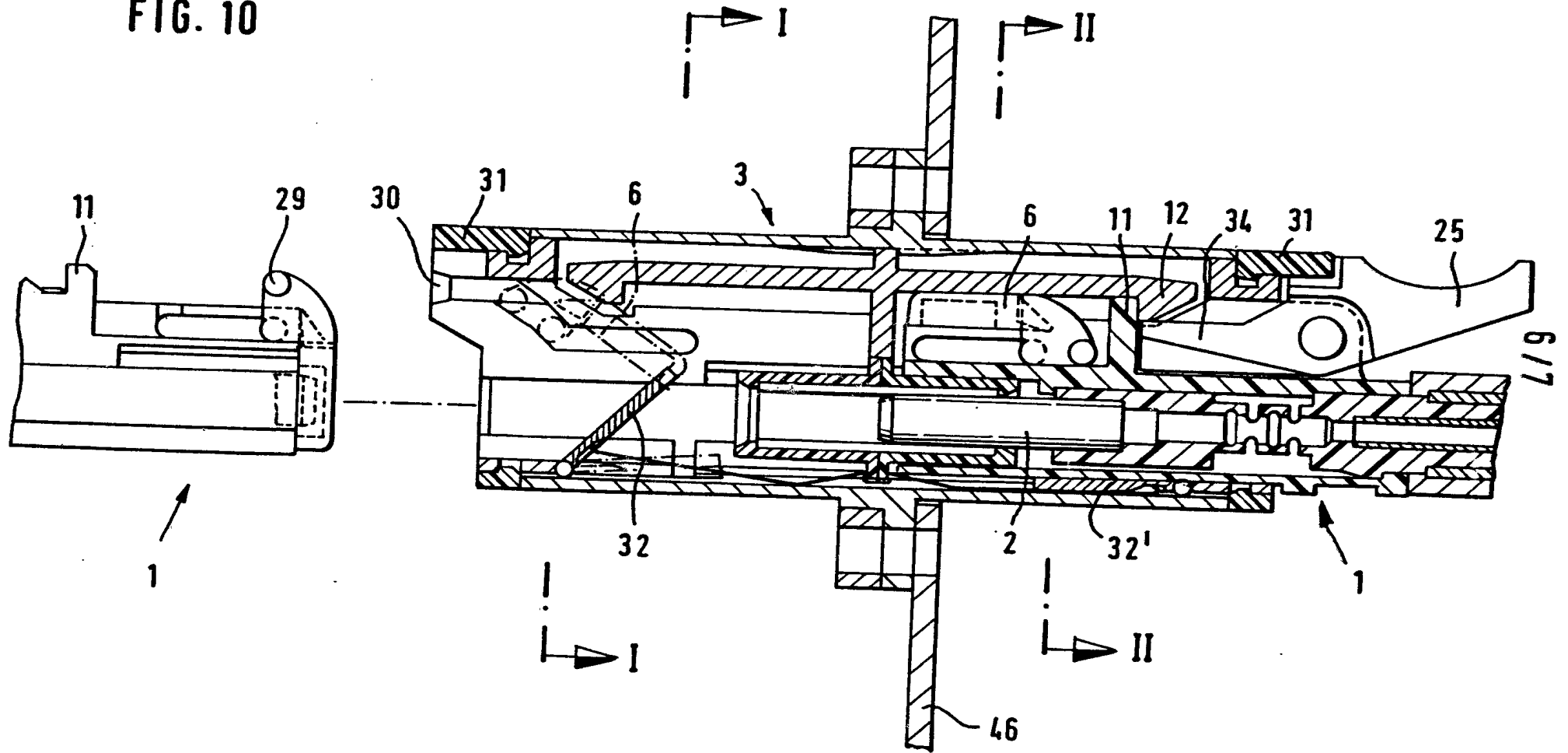


FIG. 10



08492 089 43

717

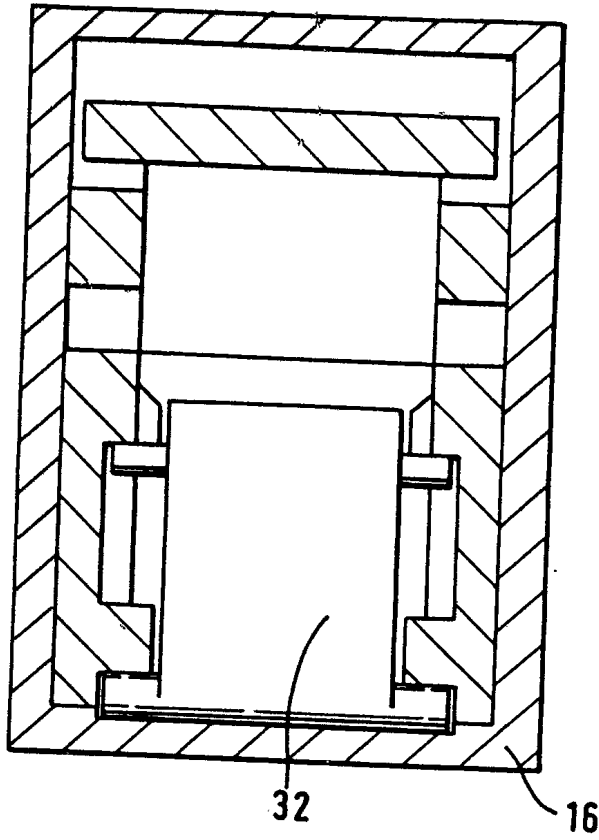


FIG. 11

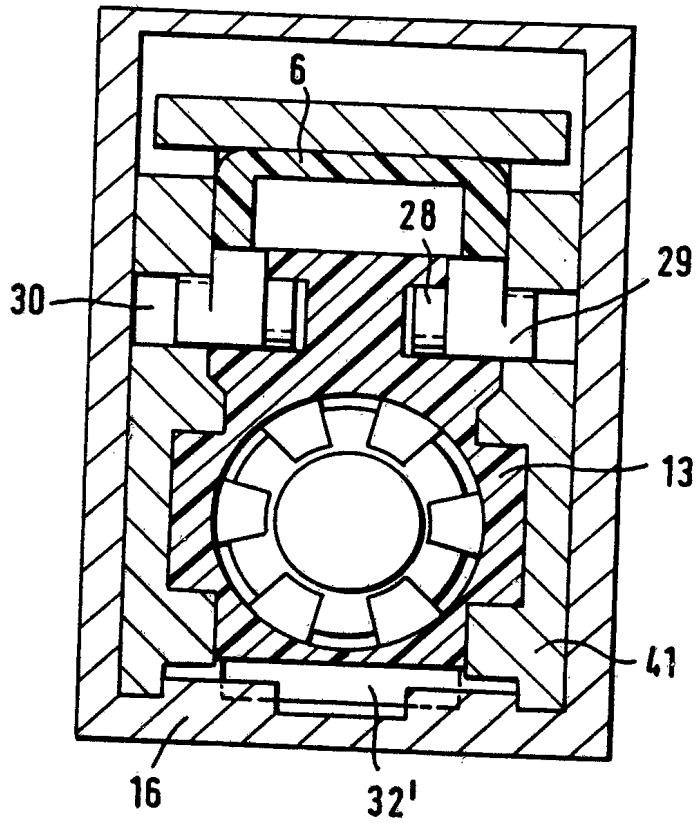


FIG. 12

