



US00D719614S

(12) **United States Design Patent**  
**Baum**

(10) **Patent No.:** **US D719,614 S**

(45) **Date of Patent:** **\*\* Dec. 16, 2014**

(54) **GAMEPAD**

(71) Applicant: **David Baum**, Provo, UT (US)

(72) Inventor: **David Baum**, Provo, UT (US)

(73) Assignee: **Bladepad, LLC**, Pleasant Grove, UT (US)

(\*\*) Term: **14 Years**

(21) Appl. No.: **29/477,203**

(22) Filed: **Dec. 19, 2013**

**Related U.S. Application Data**

(63) Continuation of application No. 29/433,802, filed on Oct. 4, 2012, now Pat. No. Des. 697,140.

(51) **LOC (10) Cl.** ..... **21-01**

(52) **U.S. Cl.**

USPC ..... **D21/333**; D14/401

(58) **Field of Classification Search**

USPC ..... D14/399-401, 412-416; D21/324, 333;  
273/148 B; 463/1, 29-39, 46, 47;  
345/156-161, 905

See application file for complete search history.

(56) **References Cited**

**U.S. PATENT DOCUMENTS**

5,785,317 A \* 7/1998 Sasaki ..... 273/148 B  
5,923,317 A \* 7/1999 Sayler et al. .... 345/156  
6,225,975 B1 \* 5/2001 Furuki et al. .... 345/156

6,743,100 B1 \* 6/2004 Neiser ..... 463/37  
D568,883 S \* 5/2008 Ashida et al. .... D14/400  
D570,349 S \* 6/2008 Ashida et al. .... D14/400  
7,762,553 B2 \* 7/2010 Harris ..... 273/148 B  
D620,939 S \* 8/2010 Suetake et al. .... D14/401  
D636,773 S \* 4/2011 Lin ..... D14/401  
D648,324 S \* 11/2011 Medas ..... D14/217  
D653,292 S \* 1/2012 Kotkin et al. .... D21/333  
D685,434 S \* 7/2013 Ali et al. .... D21/333

\* cited by examiner

*Primary Examiner* — Prabhakar Deshmukh

(74) *Attorney, Agent, or Firm* — Superior IP, PLLC; Dustin L. Call

(57) **CLAIM**

The ornamental design for a gamepad, as shown and described.

**DESCRIPTION**

FIG. 1 is a rear view of a gamepad;

FIG. 2 is a bottom view thereof;

FIG. 3 is a bottom front perspective view thereof;

FIG. 4 is a front view thereof;

FIG. 5 is a top front perspective view thereof;

FIG. 6 is a left side view thereof

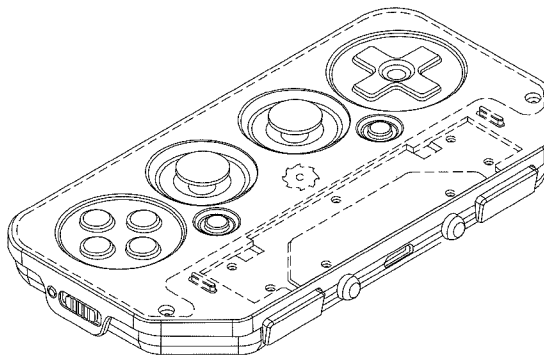
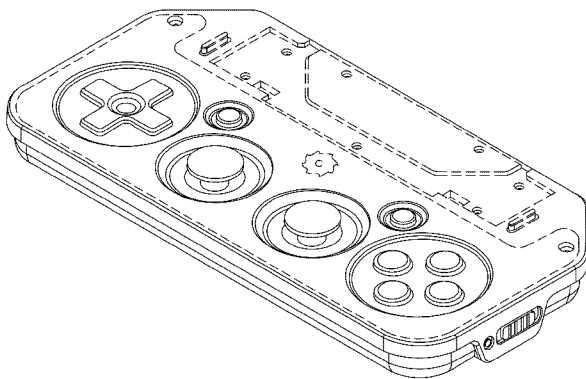
FIG. 7 is a top rear perspective view thereof;

FIG. 8 is a right side view thereof; and,

FIG. 9 is a top view thereof.

The broken lines showing environment in the drawings are included for illustrative purposes only and form no part of the claimed design.

**1 Claim, 5 Drawing Sheets**



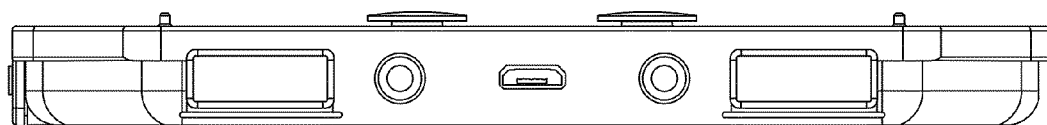


FIG. 1

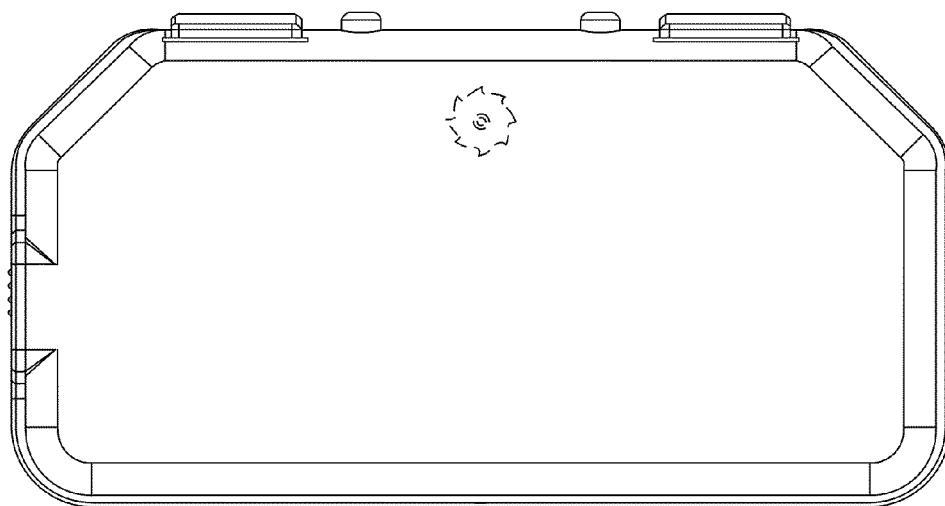


FIG. 2

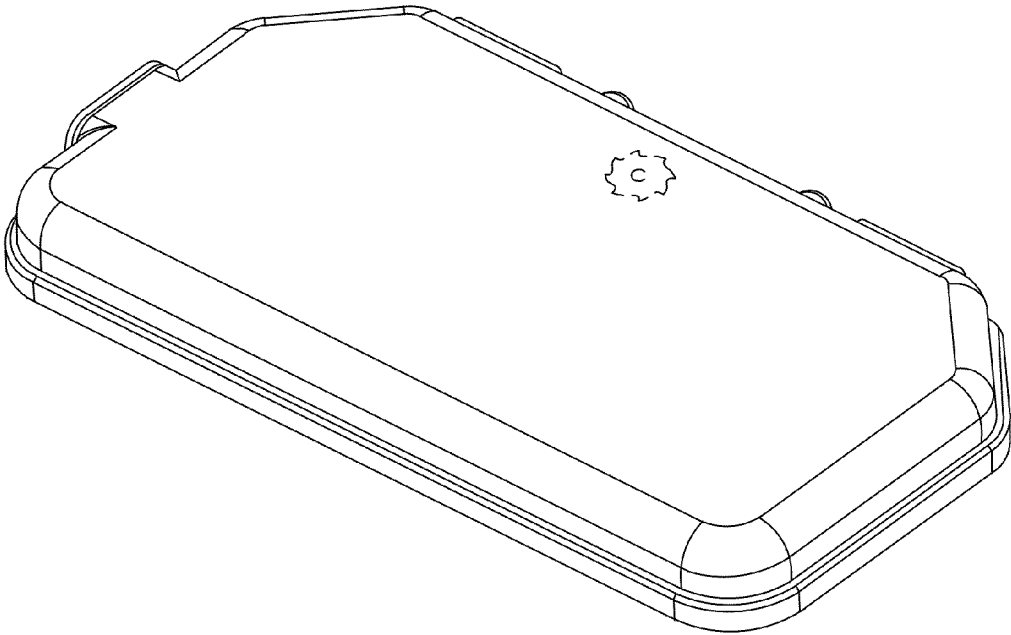


FIG. 3

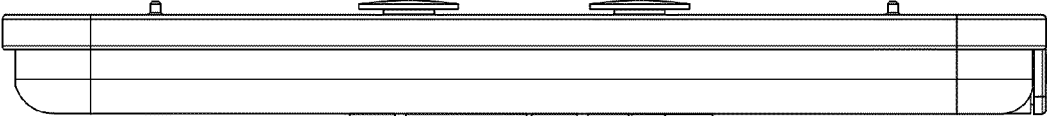


FIG. 4

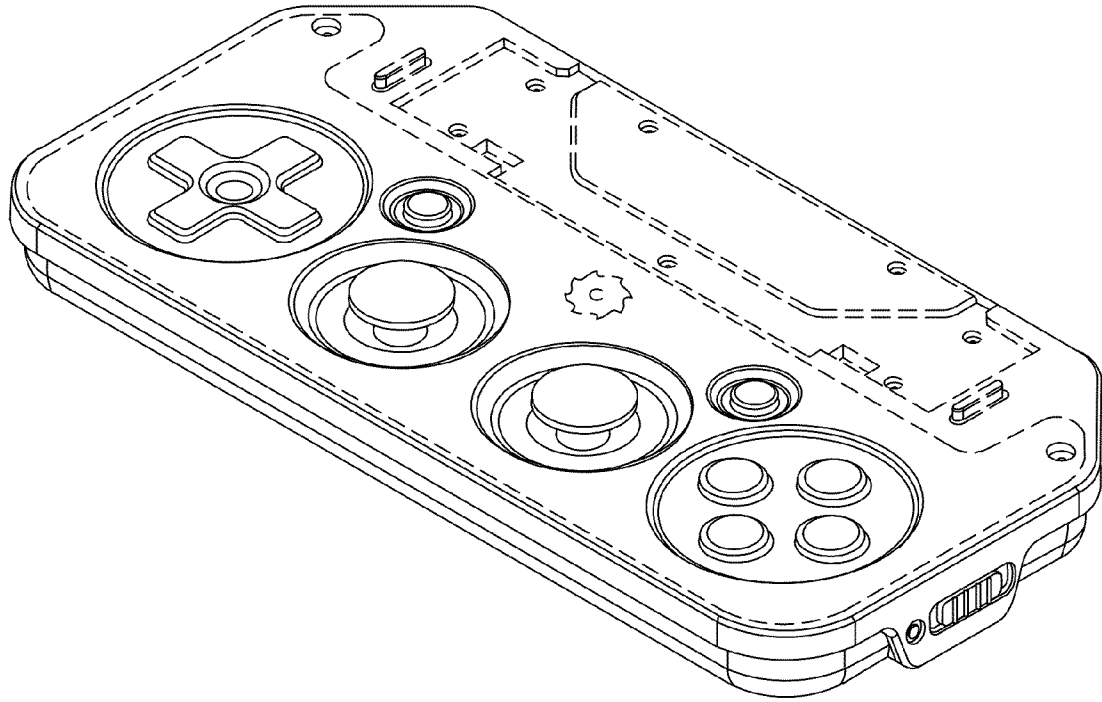


FIG. 5

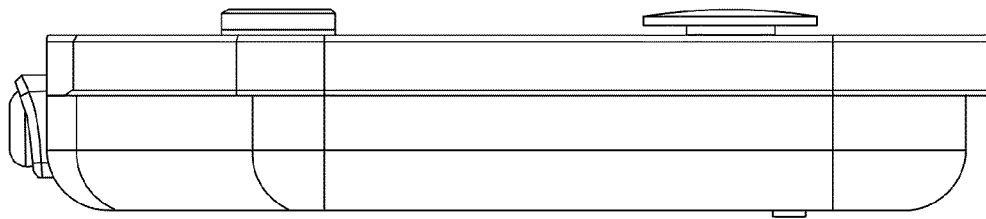


FIG. 6

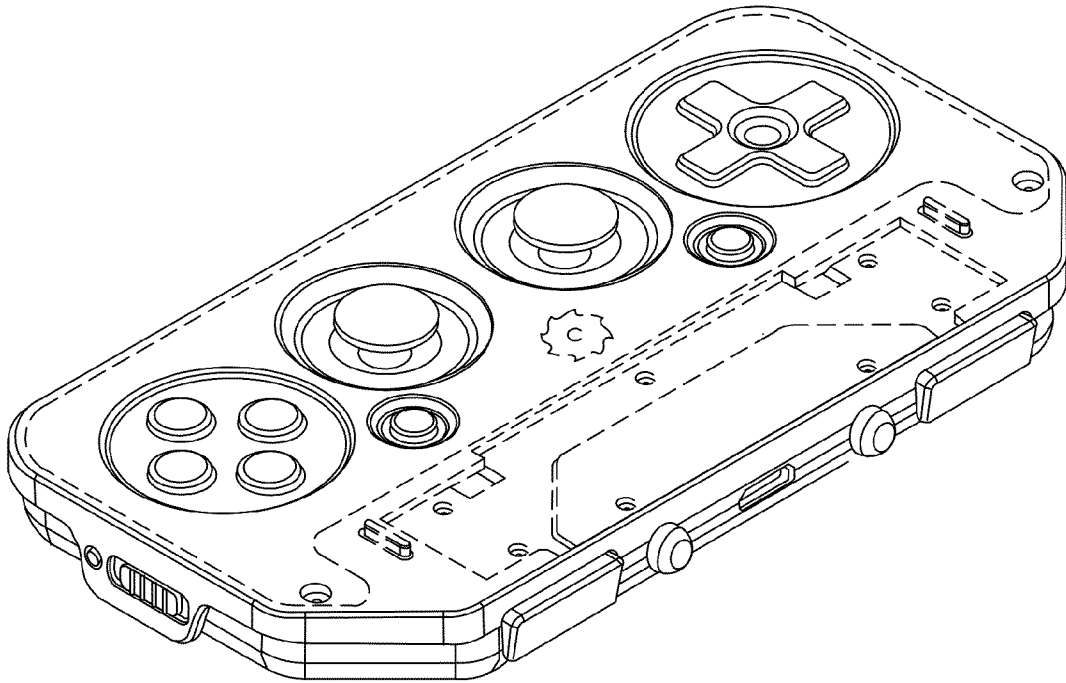


FIG. 7

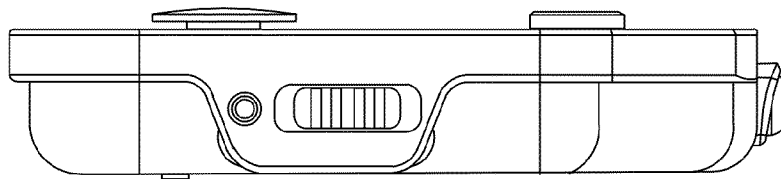


FIG. 8

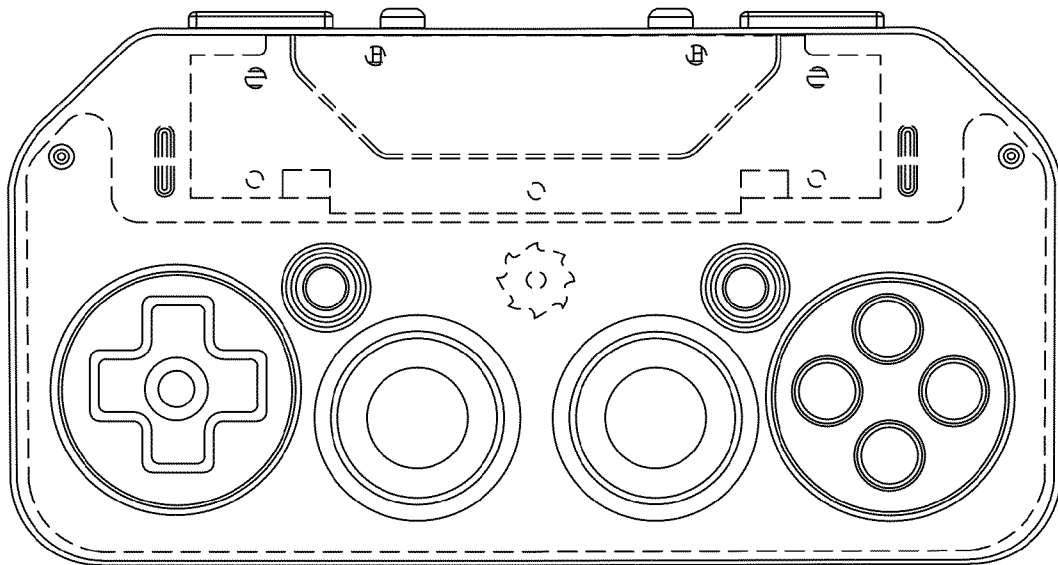


FIG. 9