



US00D996741S

(12) **United States Design Patent**
Wolfe, Jr. et al.

(10) **Patent No.:** **US D996,741 S**

(45) **Date of Patent:** **** Aug. 22, 2023**

(54) **PET TOY**

FOREIGN PATENT DOCUMENTS

(71) Applicant: **Starmark Pet Products, Inc.**, Hutto, TX (US)

CN 202907602 U 5/2013
CN 302506503 7/2013

(Continued)

(72) Inventors: **Jerry J. Wolfe, Jr.**, Hutto, TX (US);
Harold Keith Benson, Hutto, TX (US)

OTHER PUBLICATIONS

(73) Assignee: **Starmark Pet Products, Inc.**, Hutto, TX (US)

Starmark Pet Products, posted Nov. 1, 2021, retrieved Jan. 24, 2023 [online]. URL: https://www.petbusiness.com/current-issue/starmark-pet-products/article_549d5f28-37f2-11ec-ae43-4b99c7fd8fd1.html (Year: 2021).*

(**) Term: **15 Years**

(Continued)

(21) Appl. No.: **29/786,918**

Primary Examiner — Joshua Kading

Assistant Examiner — Emily A Caven

(22) Filed: **Jun. 3, 2021**

(74) *Attorney, Agent, or Firm* — Brian F. Russell

(51) **LOC (14) Cl.** **30-12**

(52) **U.S. Cl.**
USPC **D30/160**

(58) **Field of Classification Search**
USPC D30/160, 199; D21/443, 444, 453, 454, D21/455, 459, 662, 680, 681, 682, 692
CPC A01K 15/025; A01K 15/026
See application file for complete search history.

(57) **CLAIM**

The ornamental design for a pet toy, as shown and described.

DESCRIPTION

FIG. 1 is a top perspective view of the pet toy.
FIG. 2 is a front elevation view of the pet toy.
FIG. 3 is a back elevation view of the pet toy.
FIG. 4 is a left side elevation view of the pet toy.
FIG. 5 is a right side elevation view of the pet toy.
FIG. 6 is a top plan view of the pet toy.
FIG. 7 is a bottom plan view of the pet toy.
FIG. 8 is a plan section view of the pet toy taken along line 8-8 in FIG. 6; and,
FIG. 9 is an elevation section view of the pet toy taken along line 9-9 in FIG. 6.

The dashed lines in the drawings illustrate portions of the pet toy forming no part of the claimed design, and the dot-dashed broken lines define the plane upon which a sectional view is taken. The paw print design shown on the pet toy in dashed lines is a registered trademark of Starmark Pet Products, Inc. and forms no part of the claimed design.

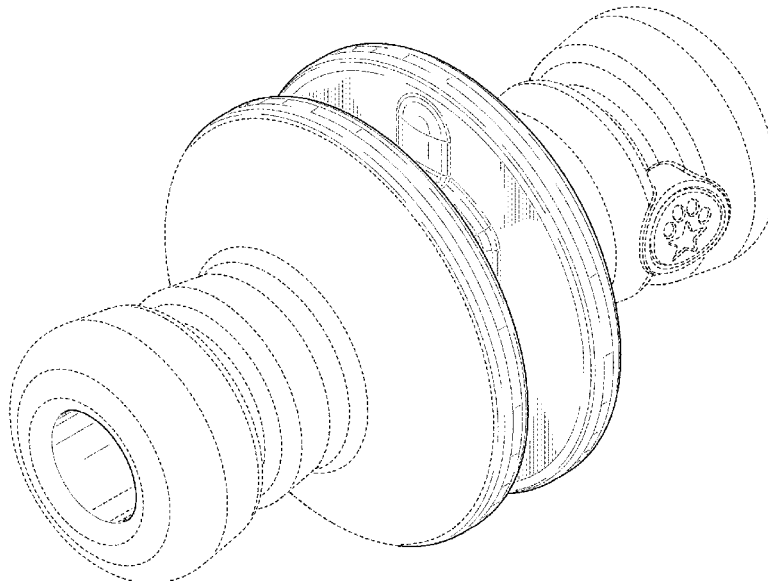
(56) **References Cited**

U.S. PATENT DOCUMENTS

D225,907 S * 1/1973 Shiu D24/211
D248,493 S * 7/1978 Moncrief A01K 15/026
601/120
D308,122 S * 5/1990 Markham D30/160
5,865,146 A * 2/1999 Markham A01K 15/026
119/707
D428,946 S * 8/2000 Boorstein D21/679
7,096,826 B2 8/2006 Markham
RE39,563 E 4/2007 Markham
7,278,374 B2 10/2007 Mann
7,600,488 B2 10/2009 Mann
7,631,613 B2 12/2009 Lescroart

(Continued)

1 Claim, 9 Drawing Sheets



(56)

References Cited

FOREIGN PATENT DOCUMENTS

U.S. PATENT DOCUMENTS

7,640,894 B2 1/2010 Jager
 8,516,977 B2 8/2013 Shatoff et al.
 D700,346 S * 2/2014 Palizzi D24/211
 D700,709 S * 3/2014 Khodabakhshian D24/211
 8,746,182 B2 6/2014 Anderson
 8,919,290 B2 12/2014 Ottosson
 D721,183 S * 1/2015 Mallory D24/211
 8,997,689 B2 4/2015 Ragonetti
 D742,601 S 11/2015 Holterhaus et al.
 9,596,829 B2 3/2017 Wolfe, Jr. et al.
 9,901,075 B2 2/2018 Wolfe, Jr. et al.
 D812,320 S 3/2018 Stone
 9,999,199 B1 6/2018 Dadalto et al.
 D833,026 S * 11/2018 Khodabakhshian D24/211
 10,154,652 B2 12/2018 Zhang et al.
 10,420,324 B2 9/2019 Wilhelm et al.
 10,609,898 B2 4/2020 Simon et al.
 10,660,304 B2 5/2020 Huang et al.
 10,674,711 B2 6/2020 Hutton
 D891,008 S 7/2020 Zeng
 10,716,288 B2 7/2020 O'Donnell et al.
 D895,824 S * 9/2020 Nelson D24/211
 10,905,098 B2 2/2021 Markham
 10,932,449 B2 3/2021 Axelrod et al.
 10,959,406 B2 3/2021 Campbell et al.
 10,959,407 B2 3/2021 Christensen
 10,973,207 B1 4/2021 Ettehadieh
 2009/0151643 A1 6/2009 Hodgins
 2009/0314221 A1 12/2009 Wang
 2013/0118417 A1 5/2013 Teonchuk et al.
 2014/0345532 A1 11/2014 Valle et al.
 2016/0113243 A1 4/2016 Mullin et al.
 2018/0000048 A1 1/2018 Stone et al.
 2019/0344114 A1 11/2019 Tran et al.

CN 203942914 U 11/2014
 CN 206498790 U 9/2017
 CN 304754572 7/2018
 CN 207707017 U 8/2018
 CN 209218897 U 8/2019
 CN 209314587 U 8/2019
 CN 305674229 3/2020
 CN 108450347 B 10/2020
 CN 211881653 U 11/2020
 DE 202017101610 U1 4/2017
 EM 001148332-0001 6/2009
 EM 002947135-0001 1/2016
 EM 002947135-0002 1/2016
 EM 002947135-0003 1/2016
 EM 004373462-0001 9/2017
 GB 2553611 B 4/2019
 KR 101692140 B1 1/2017
 KR 20180078383 A 7/2018
 KR 102039934 B1 11/2019
 KR 102085365 B1 3/2020
 TW 201136632 A 11/2011
 TW 641315 B 11/2018
 TW 589965 U 2/2020
 WO 2004043142 A1 5/2004
 WO 2009039153 A1 3/2009
 WO D076749-007 9/2011
 WO 2020187833 A1 9/2020

OTHER PUBLICATIONS

Twist and Lock Roller, website archived May 21, 2022, retrieved Jan. 24, 2023 [online]. URL: <https://web.archive.org/web/20220521082339/https://www.starmarkacademy.com/products/twist-and-lock-roller/> (Year: 2022).*

* cited by examiner

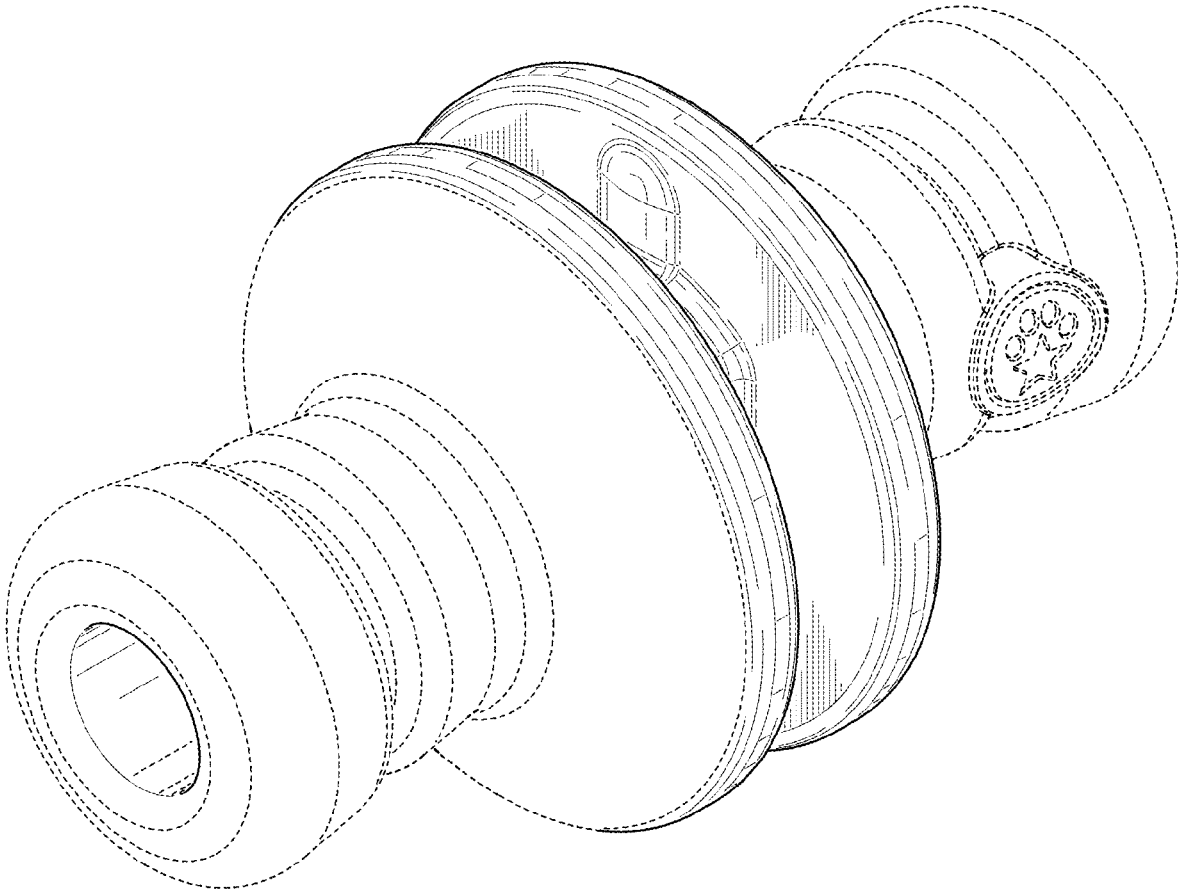


FIG. 1

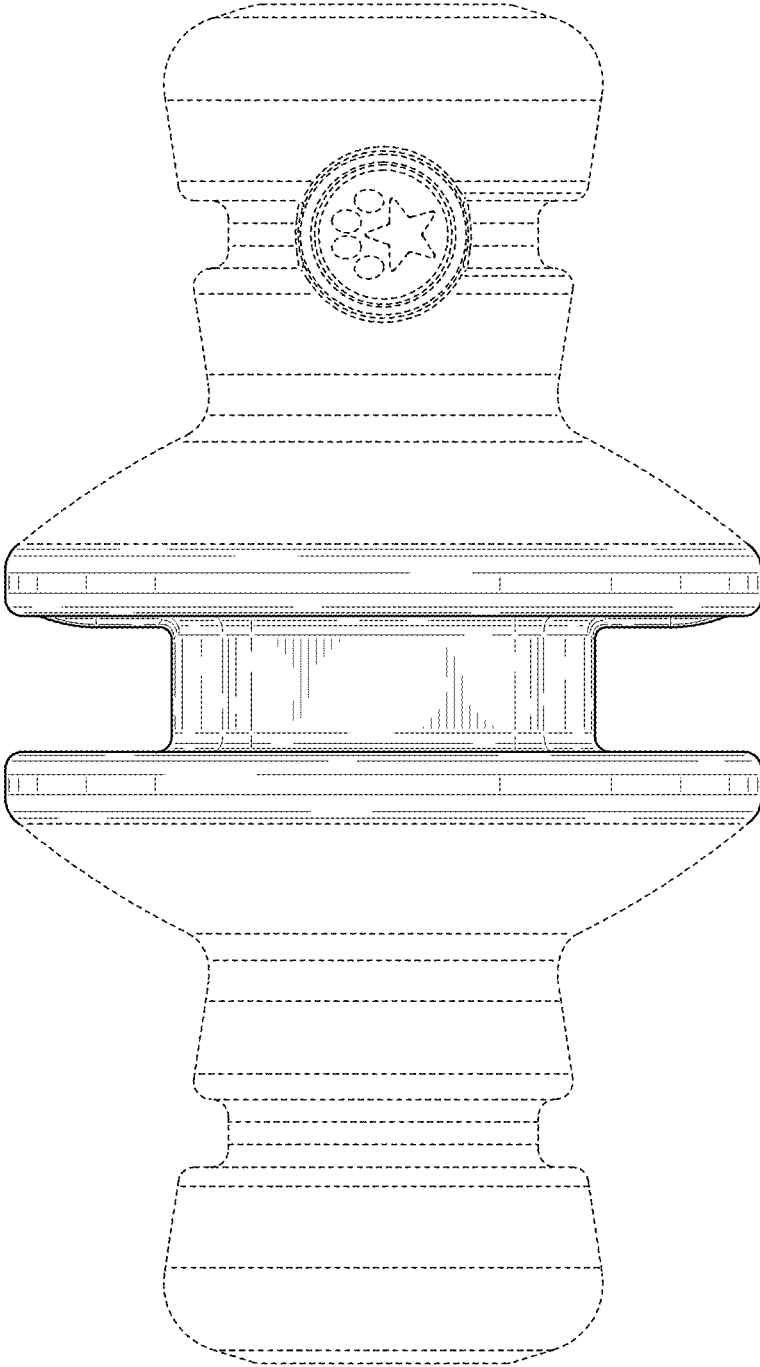


FIG. 2

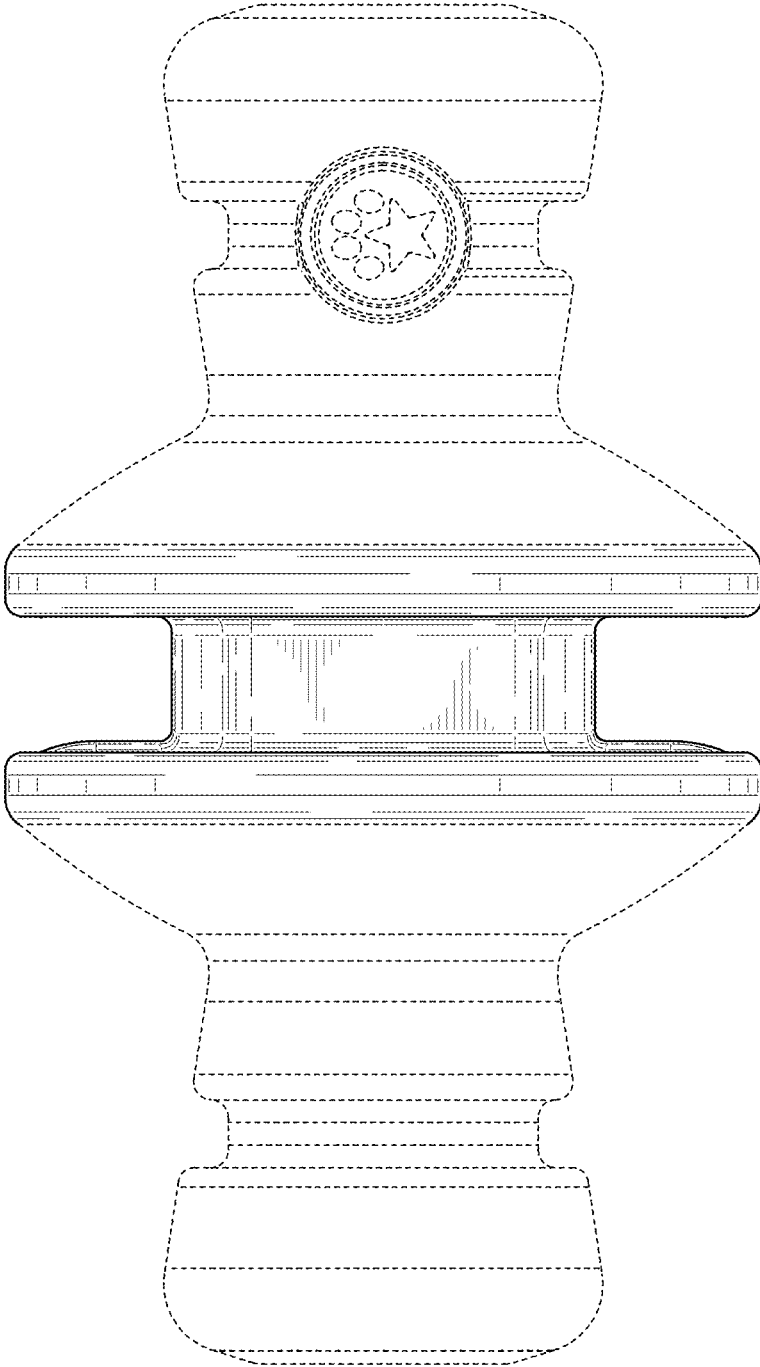


FIG. 3

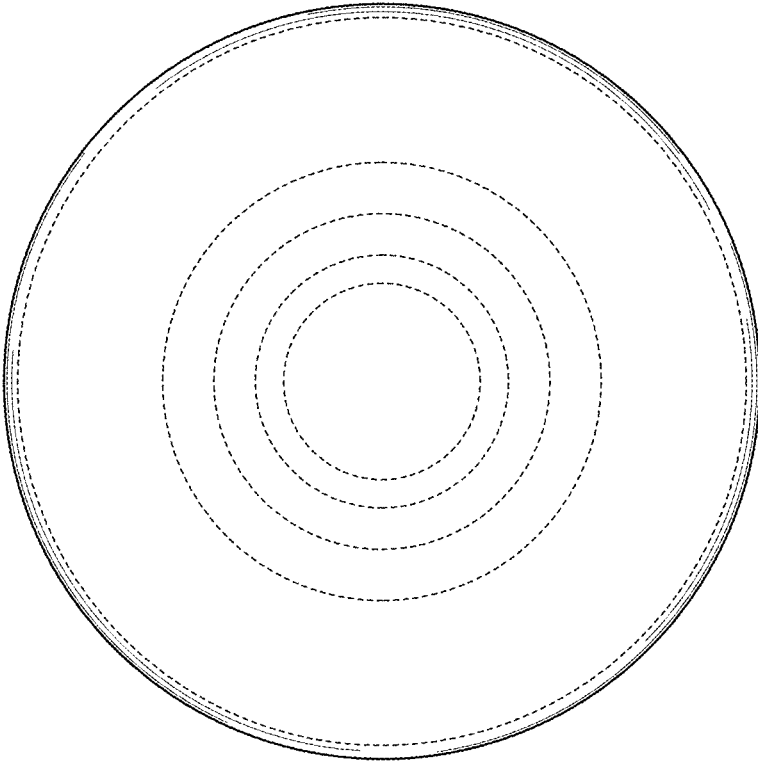


FIG. 4

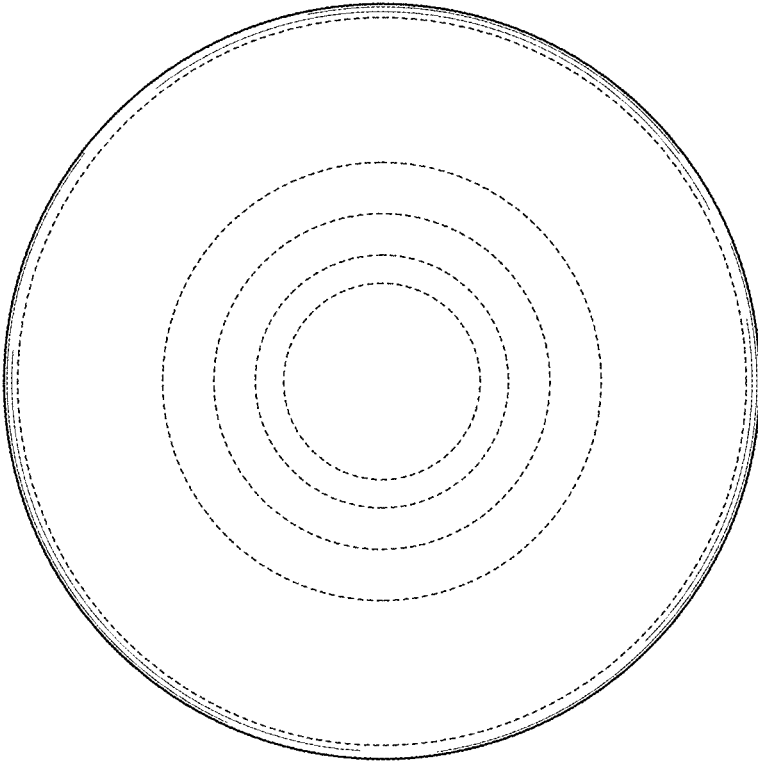


FIG. 5

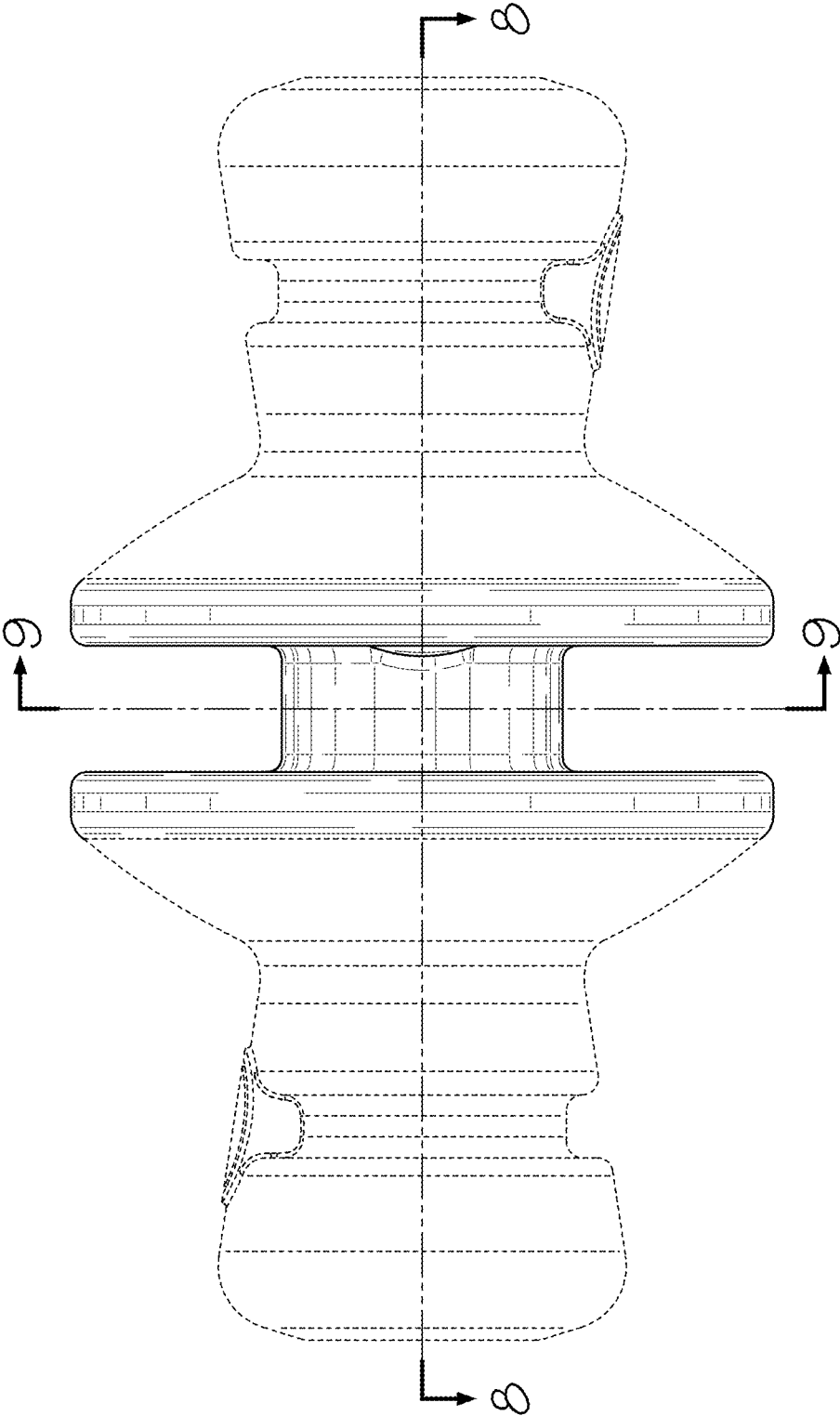


FIG. 6

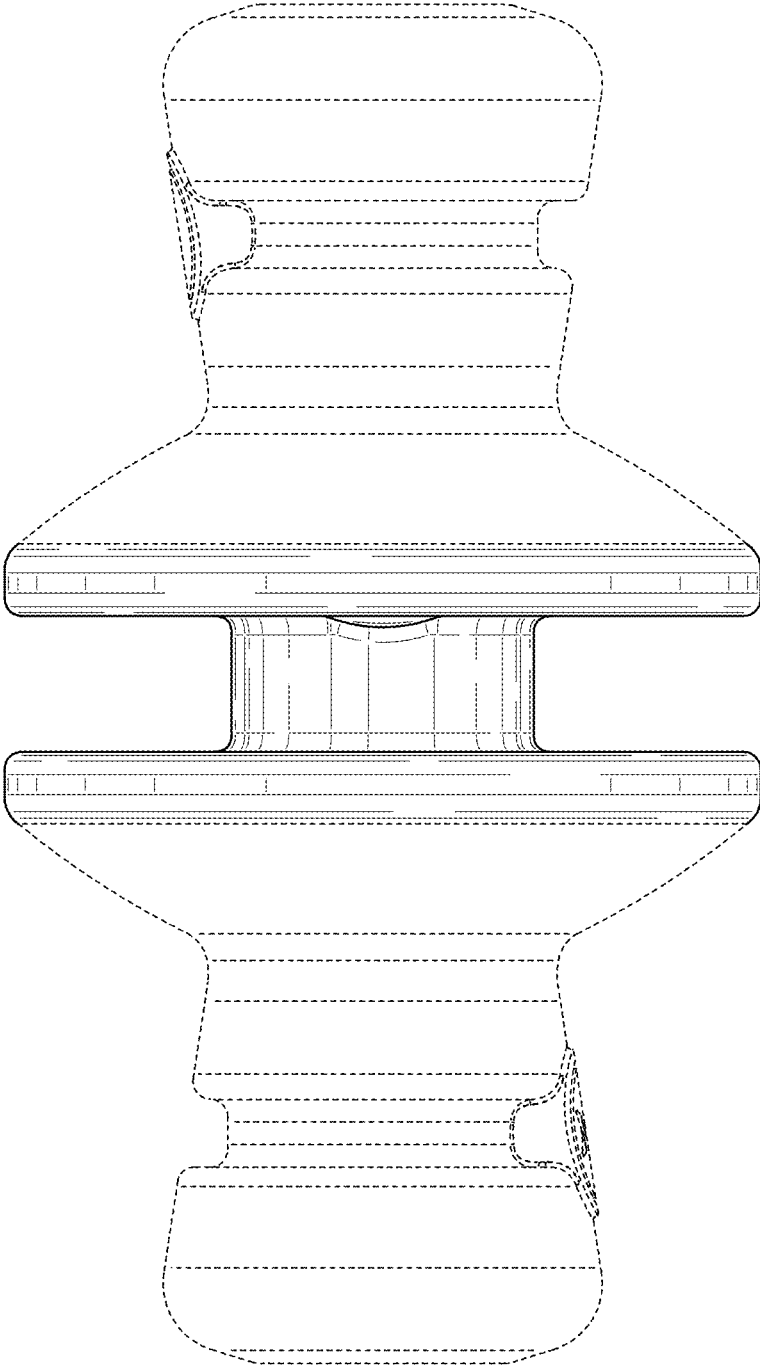


FIG. 7

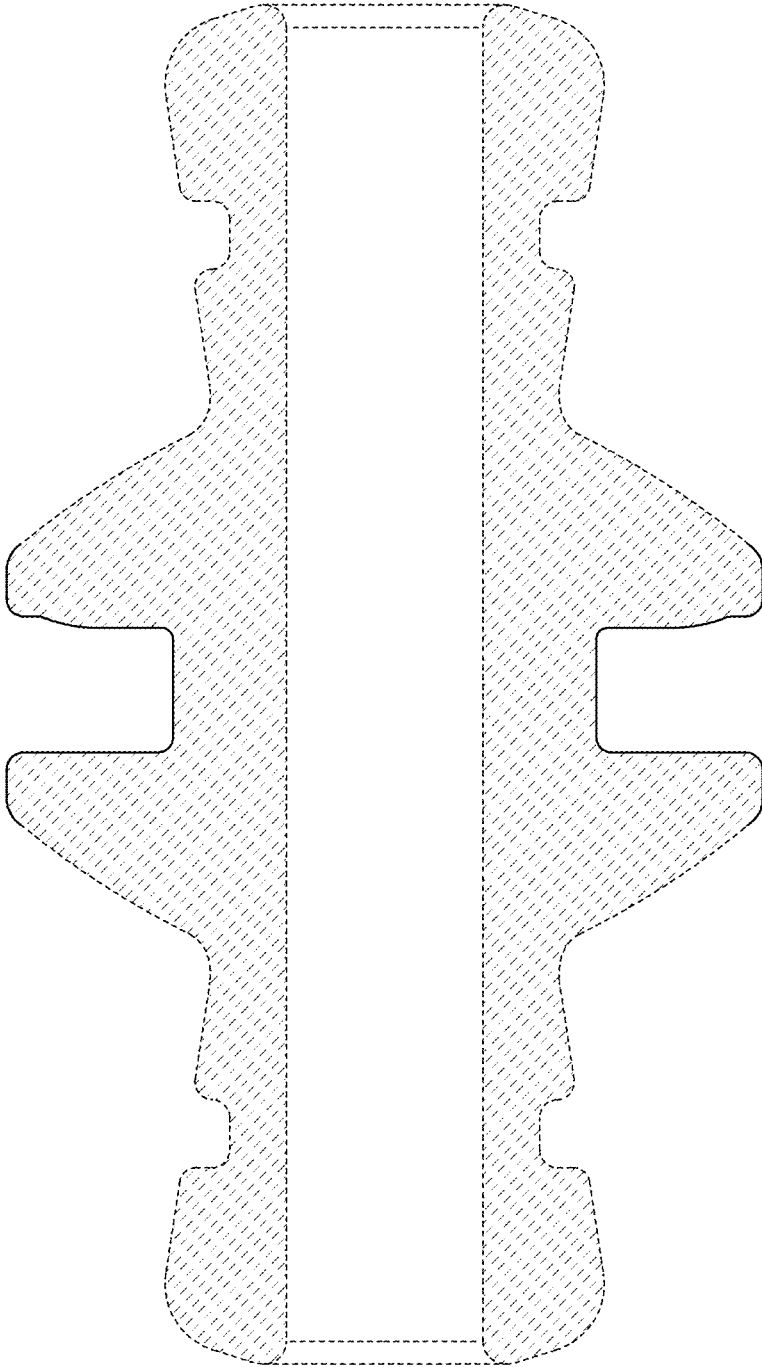


FIG. 8

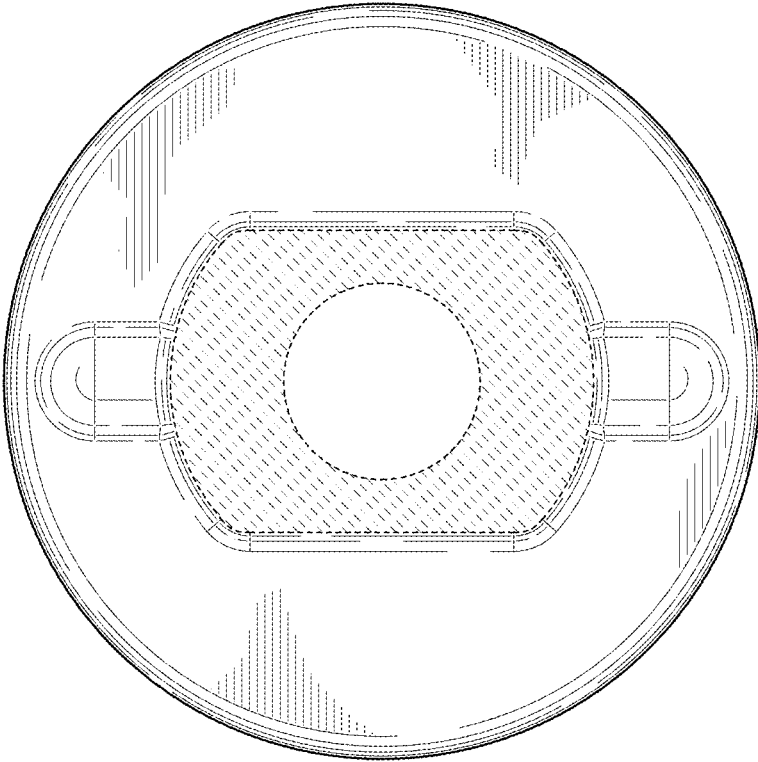


FIG. 9