



- (51) International Patent Classification:
G06Q 50/22 (2012.01)
- (21) International Application Number:
PCT/US2013/020284
- (22) International Filing Date:
4 January 2013 (04.01.2013)
- (25) Filing Language: English
- (26) Publication Language: English
- (30) Priority Data:
61/583,069 4 January 2012 (04.01.2012) US
13/648,653 10 October 2012 (10.10.2012) US
- (71) Applicant: UNIVERSAL RESEARCH SOLUTIONS LLC [US/US]; 700 Cherry Street, Suite L, Columbia, Missouri 65201 (US).
- (72) Inventor: HUSSAM, Ali Adel; 2002 Chapel Ridge Rd., Columbia, Missouri 65203 (US).
- (74) Agent: MCDONOUGH, Christina, V.; Fish & Richardson P.C., P.O. Box 1022, Minneapolis, Minnesota 55440-1022 (US).
- (81) Designated States (unless otherwise indicated, for every kind of national protection available): AE, AG, AL, AM,

AO, AT, AU, AZ, BA, BB, BG, BH, BN, BR, BW, BY, BZ, CA, CH, CL, CN, CO, CR, CU, CZ, DE, DK, DM, DO, DZ, EC, EE, EG, ES, FI, GB, GD, GE, GH, GM, GT, HN, HR, HU, ID, IL, IN, IS, JP, KE, KG, KM, KN, KP, KR, KZ, LA, LC, LK, LR, LS, LT, LU, LY, MA, MD, ME, MG, MK, MN, MW, MX, MY, MZ, NA, NG, NI, NO, NZ, OM, PA, PE, PG, PH, PL, PT, QA, RO, RS, RU, RW, SC, SD, SE, SG, SK, SL, SM, ST, SV, SY, TH, TJ, TM, TN, TR, TT, TZ, UA, UG, US, UZ, VC, VN, ZA, ZM, ZW.

(84) Designated States (unless otherwise indicated, for every kind of regional protection available): ARIPO (BW, GH, GM, KE, LR, LS, MW, MZ, NA, RW, SD, SL, SZ, TZ, UG, ZM, ZW), Eurasian (AM, AZ, BY, KG, KZ, RU, TJ, TM), European (AL, AT, BE, BG, CH, CY, CZ, DE, DK, EE, ES, FI, FR, GB, GR, HR, HU, IE, IS, IT, LT, LU, LV, MC, MK, MT, NL, NO, PL, PT, RO, RS, SE, SI, SK, SM, TR), OAPI (BF, BJ, CF, CG, CI, CM, GA, GN, GQ, GW, ML, MR, NE, SN, TD, TG).

Published:

— with international search report (Art. 21(3))

(88) Date of publication of the international search report:

12 September 2013

(54) Title: INTERACTIVE MEDICAL EDUCATION MODULES

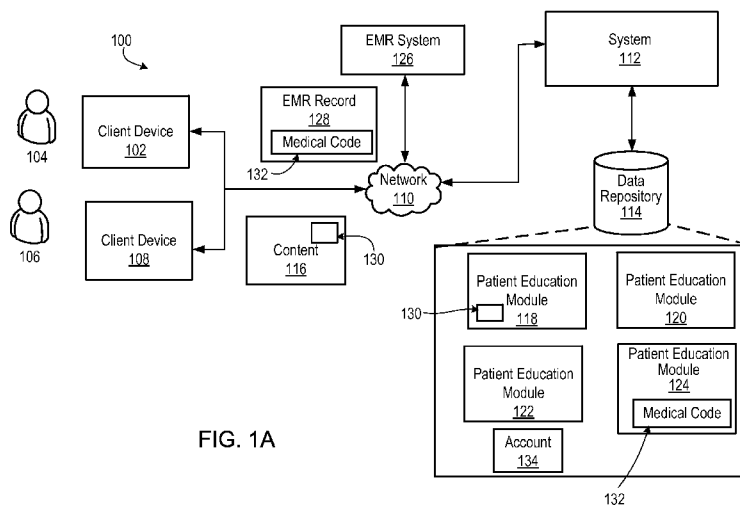


FIG. 1A

(57) Abstract: A computer-implemented method comprising: retrieving, by one or more computer systems, a patient education module for educating a patient about a medical procedure; wherein a structure of the patient education module comprises a first educational section and a second educational section; where the first educational section comprises information and one or more visualizations related to a first stage of the medical procedure; wherein the second educational section comprises information and one or more visualizations related to a second stage of the medical procedure; transmitting, to a device used by the patient, the patient education module for the patient to review the patient education module; receiving, from the device used by the patient, information specifying that the patient has reviewed and understood one or more of the first educational section and the second educational section.



INTERNATIONAL SEARCH REPORT

International application No.
PCT/US2013/020284**A. CLASSIFICATION OF SUBJECT MATTER****G06Q 50/22(2012.01)i**

According to International Patent Classification (IPC) or to both national classification and IPC

B. FIELDS SEARCHED

Minimum documentation searched (classification system followed by classification symbols)

G06Q 50/22; A61G 12/00; G09B 23/28; G09B 5/02; A61B 5/02; G06F 17/60; G06F 17/21; G06Q 50/00; G06Q 90/00; G06Q 10/00; A61B 5/00

Documentation searched other than minimum documentation to the extent that such documents are included in the fields searched

Korean utility models and applications for utility models
Japanese utility models and applications for utility models

Electronic data base consulted during the international search (name of data base and, where practicable, search terms used)

eKOMPASS(KIPO internal) & Keywords: patient, education, consent, trend, referral

C. DOCUMENTS CONSIDERED TO BE RELEVANT

Category*	Citation of document, with indication, where appropriate, of the relevant passages	Relevant to claim No.
Y A	US 2010-0081118 A1 (SHAILHA DIXIT) 01 April 2010 See abstract, paragraphs [0006],[0038], claims 15,17 and figure 3.	1-5,7-13,15-20,25 6,14,21,23-24,26-28
Y A	JP 2004-283316 A (KUROSAWA FUNAO) 14 October 2004 See abstract, paragraphs [0008]-[0009] and figures 3,8-9.	1-5,7-13,15-21,23-24 6,14,25-28
Y A	US 2009-0287068 A1 (DAN LI et al.) 19 November 2009 See abstract, paragraphs [0039]-[0040], claim 2 and figures 5-6.	21 1-20,23-28
Y A	JP 2004-145507 A (TEIJIN LTD.) 20 May 2004 See abstract, paragraphs [0059]-[0060] and claim 10.	23-24 1-21,25-28
Y A	US 2009-0313043 A1 (ROY SCHOENBERG) 17 December 2009 See abstract, claims 4-5,15,19 and figures 5A,6.	25 1-21,23-24,26-28

 Further documents are listed in the continuation of Box C. See patent family annex.

* Special categories of cited documents:

"A" document defining the general state of the art which is not considered to be of particular relevance

"E" earlier application or patent but published on or after the international filing date

"L" document which may throw doubts on priority claim(s) or which is cited to establish the publication date of citation or other special reason (as specified)

"O" document referring to an oral disclosure, use, exhibition or other means

"P" document published prior to the international filing date but later than the priority date claimed

"T" later document published after the international filing date or priority date and not in conflict with the application but cited to understand the principle or theory underlying the invention

"X" document of particular relevance; the claimed invention cannot be considered novel or cannot be considered to involve an inventive step when the document is taken alone

"Y" document of particular relevance; the claimed invention cannot be considered to involve an inventive step when the document is combined with one or more other such documents, such combination being obvious to a person skilled in the art

"&" document member of the same patent family

Date of the actual completion of the international search

21 June 2013 (21.06.2013)

Date of mailing of the international search report

21 June 2013 (21.06.2013)

Name and mailing address of the ISA/KR

Korean Intellectual Property Office
189 Cheongsu-ro, Seo-gu, Daejeon Metropolitan City,
302-701, Republic of Korea

Facsimile No. 82-42-472-7140

Authorized officer

OH, Eung Gie

Telephone No. 82-42-481-8744



INTERNATIONAL SEARCH REPORT

International application No.

PCT/US2013/020284

C (Continuation). DOCUMENTS CONSIDERED TO BE RELEVANT		
Category*	Citation of document, with indication, where appropriate, of the relevant passages	Relevant to claim No.
X	US 7802183 B1 (DANIEL J. ESSIN) 21 September 2010	26, 28
A	See paragraphs [0053]-[0055], claims 1, 24.	1-21, 23-25, 27
X	US 2011-0191122 A1 (OLIVER D. KHARRAZ TAVAKOL et al.) 04 August 2011	27
A	See abstract, claims 6, 8 and figures 8-11.	1-21, 23-26, 28

INTERNATIONAL SEARCH REPORT

International application No.
PCT/US2013/020284

Box No. II Observations where certain claims were found unsearchable (Continuation of item 2 of first sheet)

This international search report has not been established in respect of certain claims under Article 17(2)(a) for the following reasons:

1. Claims Nos.:
because they relate to subject matter not required to be searched by this Authority, namely:

2. Claims Nos.: 22
because they relate to parts of the international application that do not comply with the prescribed requirements to such an extent that no meaningful international search can be carried out, specifically:
Claim 22 is not clear, because the last part of claim 22 is missing, thereby not properly stating the computer implemented method.

3. Claims Nos.:
because they are dependent claims and are not drafted in accordance with the second and third sentences of Rule 6.4(a).

Box No. III Observations where unity of invention is lacking (Continuation of item 3 of first sheet)

This International Searching Authority found multiple inventions in this international application, as follows:

See Supplemental Box

1. As all required additional search fees were timely paid by the applicant, this international search report covers all searchable claims.

2. As all searchable claims could be searched without effort justifying an additional fee, this Authority did not invite payment of any additional fee.

3. As only some of the required additional search fees were timely paid by the applicant, this international search report covers only those claims for which fees were paid, specifically claims Nos.:

4. No required additional search fees were timely paid by the applicant. Consequently, this international search report is restricted to the invention first mentioned in the claims; it is covered by claims Nos.:

Remark on Protest

- The additional search fees were accompanied by the applicant's protest and, where applicable, the payment of a protest fee.
- The additional search fees were accompanied by the applicant's protest but the applicable protest fee was not paid within the time limit specified in the invitation.
- No protest accompanied the payment of additional search fees.

Box No. III

Group I, claims 1-20, directed to a method of making interactive medical education modules.

Group II, claim 21, directed to a method of generating information indicative of a chart for displaying types of trend data.

Group III, claims 23-24, directed to a method of determining that a user has provided informed consent for a medical procedure.

Group IV, claim 25, directed to a method of generating graphical user interfaces included in a medical provider.

Group V, claims 26 and 28, directed to a method of accessing an electronic dictation template for a particular type of medical procedure.

Group VI, claim 27, directed to a method of receiving a referral for a referring physician.

INTERNATIONAL SEARCH REPORT

Information on patent family members

International application No.

PCT/US2013/020284

Patent document cited in search report	Publication date	Patent family member(s)	Publication date
US 2010-0081118 A1	01.04.2010	None	
JP 2004-283316 A	14.10.2004	None	
US 2009-0287068 A1	19.11.2009	US 2008-0021337 A1 US 7572232 B2 US 8241212 B2	24.01.2008 11.08.2009 14.08.2012
JP 2004-145507 A	20.05.2004	None	
US 2009-0313043 A1	17.12.2009	AU 2007-292359 A1 CA 2662786 A1 EP 2062215 A1 JP 2010-503122 A US 2008-0065726 A1 US 2008-0133511 A1 US 2009-0138317 A1 US 2009-063188 A1 US 2010-0332261 A1 US 2013-030843 A1 US 7590550 B2 US 7835928 B2 US 7848937 B2 US 7865377 B2 US 8249898 B2 WO 2008-030850 A1 WO 2008-030855 A1	13.03.2008 13.03.2008 27.05.2009 28.01.2010 13.03.2008 05.06.2008 28.05.2009 05.03.2009 30.12.2010 31.01.2013 15.09.2009 16.11.2010 07.12.2010 04.01.2011 21.08.2012 13.03.2008 13.03.2008
US 7802183 B1	21.09.2010	None	
US 2011-0191122 A1	04.08.2011	WO 2012-060899 A2	10.05.2012