

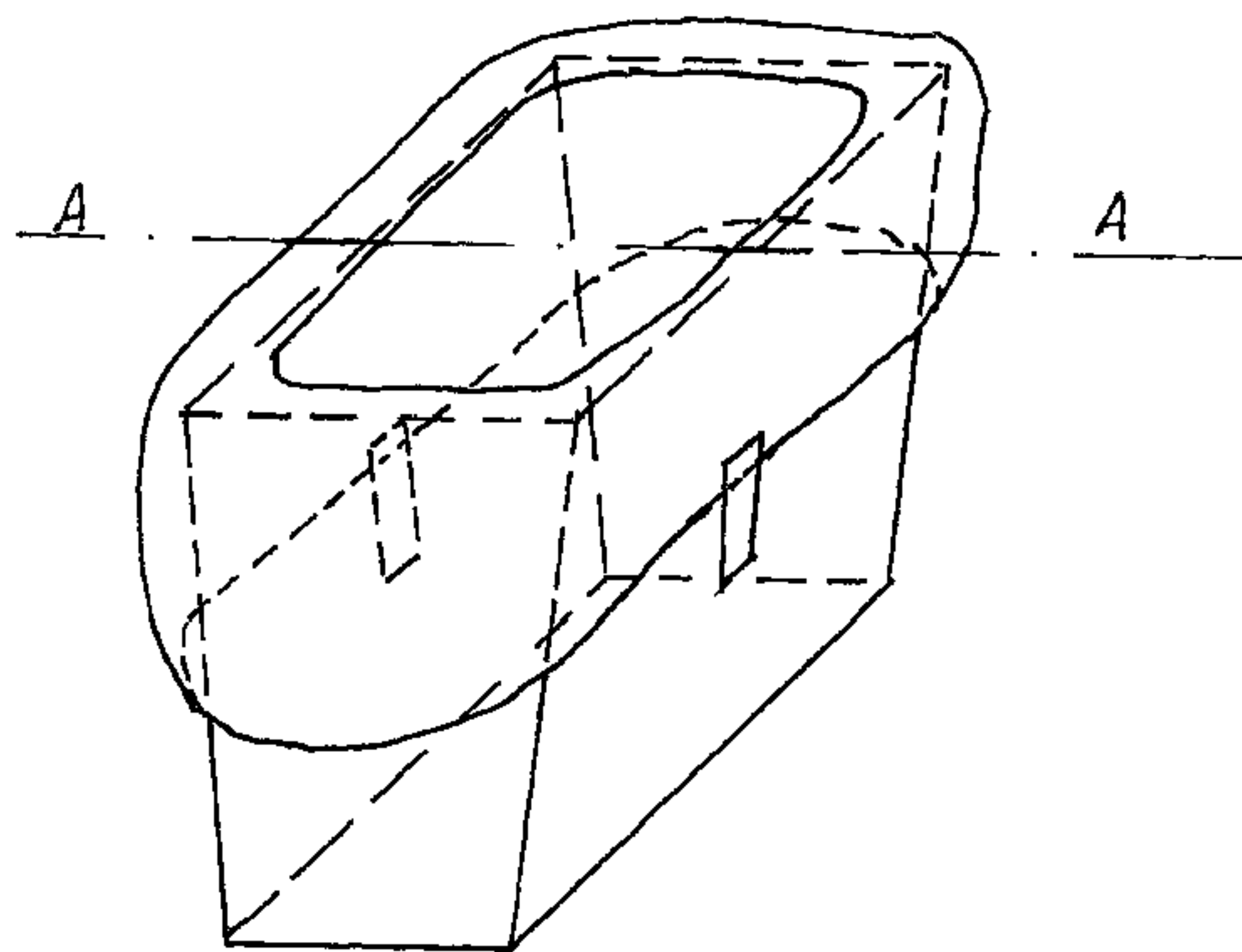
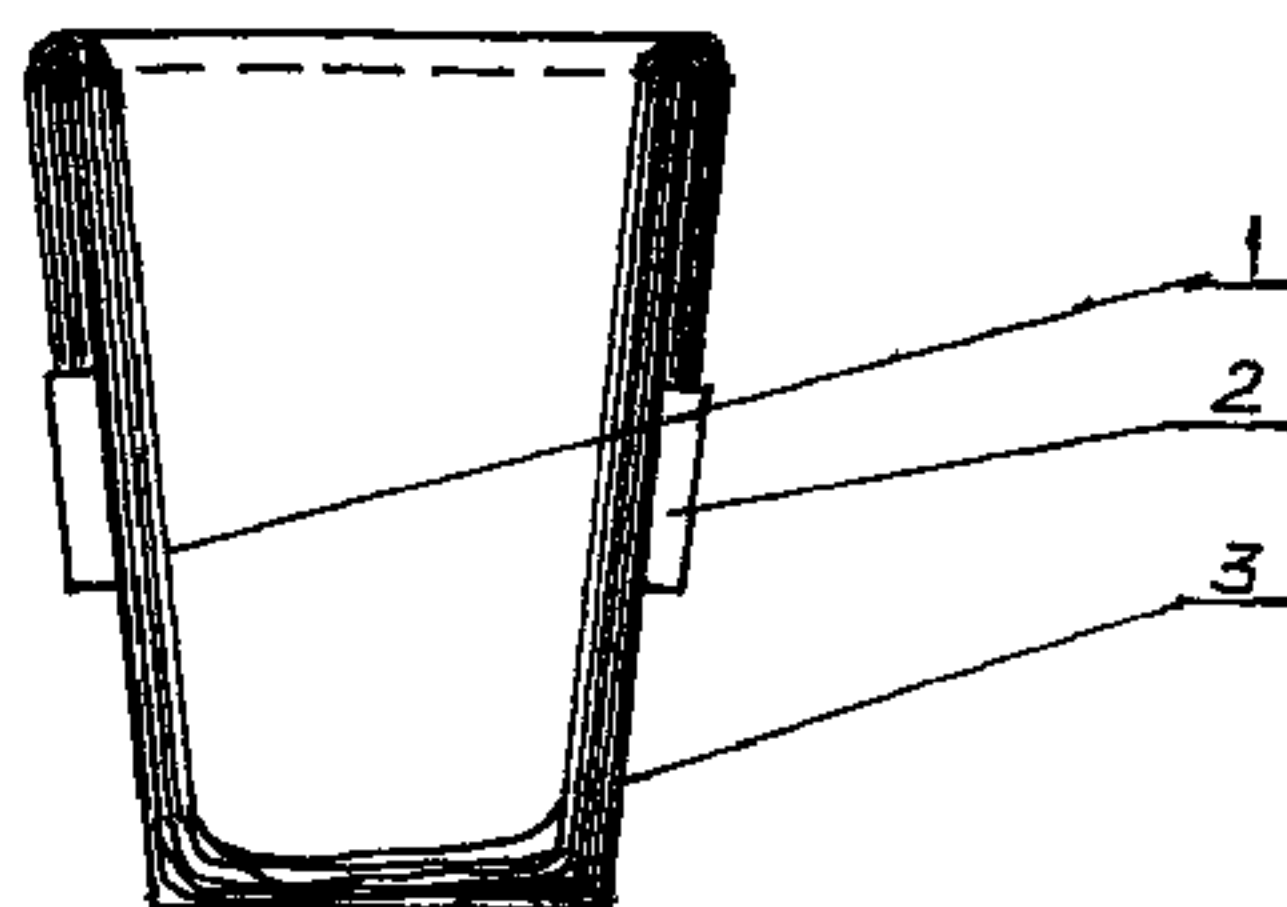


(86) Date de dépôt PCT/PCT Filing Date: 2008/02/05
 (87) Date publication PCT/PCT Publication Date: 2009/08/13
 (85) Entrée phase nationale/National Entry: 2009/10/19
 (86) N° demande PCT/PCT Application No.: CA 2008/000323
 (87) N° publication PCT/PCT Publication No.: 2009/097675

(51) Cl.Int./Int.Cl. *B65F 1/06* (2006.01),
B65H 3/20 (2006.01)
 (71) Demandeur/Applicant:
PARYSEK, JAN, CA
 (72) Inventeur/Inventor:
PARYSEK, JAN, CA

(54) Titre : ENSEMBLE SAC POUCELLE EN PELURE D'OIGNON
 (54) Title: ONION GARBAGE BAG ASSEMBLY

AA



Ryc. #1

1. *The Onion Garbage Bag,*
2. *Separator,*
3. *Garbage container.*

(57) **Abrégé/Abstract:**

The Onion Garbage Bag consists of many single garbage bags combined in the one piece by the specially designed tape separator (connector), which serves the purpose of removing the bags one by one when it is needed. The invention of the Onion Garbage Bag as a new product intends to reduce the time of inserting the bags into the garbage container usually done one by one.

(12) INTERNATIONAL APPLICATION PUBLISHED UNDER THE PATENT COOPERATION TREATY (PCT)

(19) World Intellectual Property Organization
International Bureau(43) International Publication Date
13 August 2009 (13.08.2009)

PCT

(10) International Publication Number
WO 2009/097675 A1(51) International Patent Classification:
B65F 1/06 (2006.01) *B65H 3/20* (2006.01)(21) International Application Number:
PCT/CA2008/000323(22) International Filing Date:
5 February 2008 (05.02.2008)

(25) Filing Language: English

(26) Publication Language: English

(71) Applicant and

(72) Inventor: PARYSEK, Jan [CA/CA]; 410-232 Oakland Ave., London, Ontario N5W 4M5 (CA).

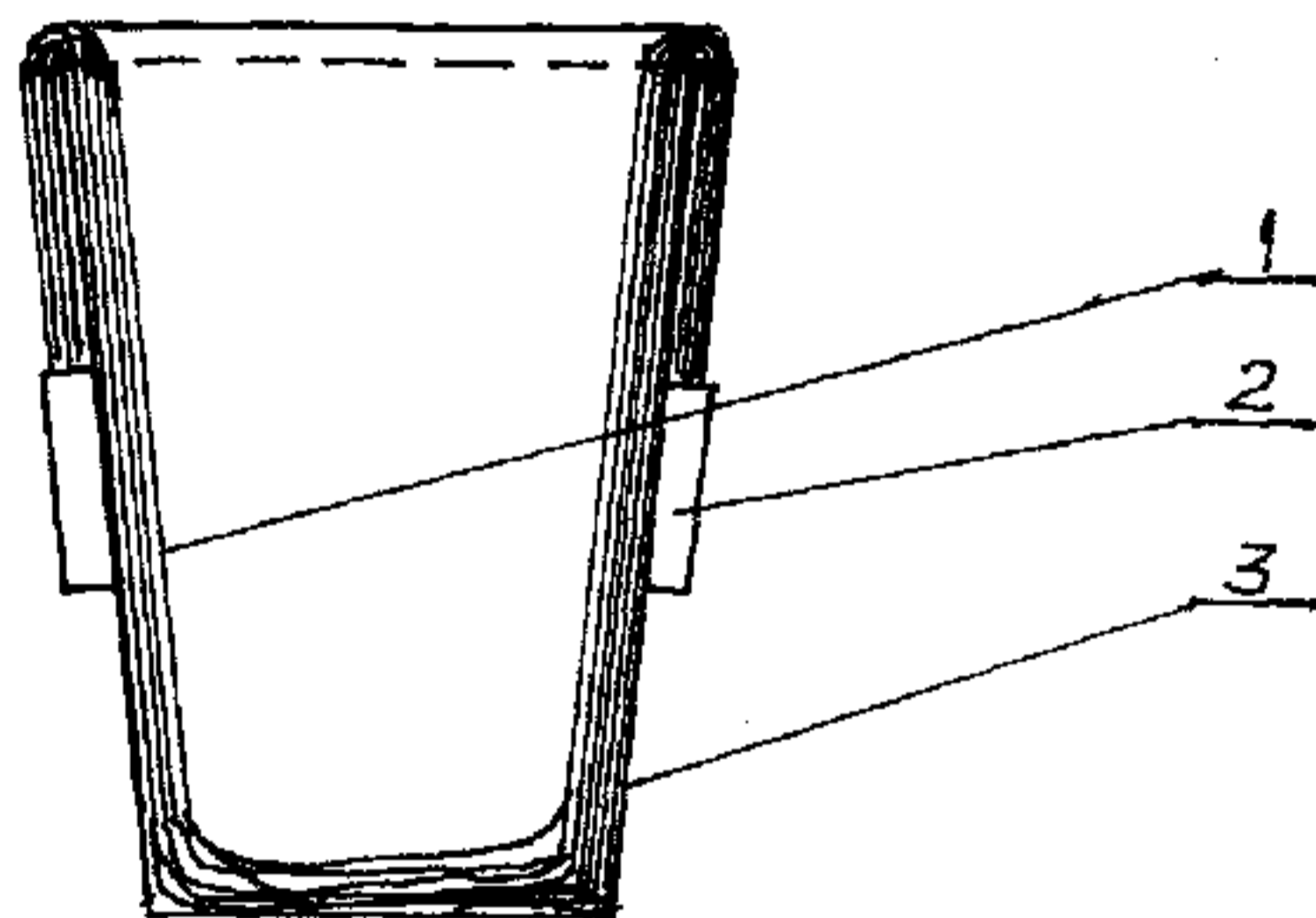
(81) Designated States (unless otherwise indicated, for every kind of national protection available): AE, AG, AL, AM, AO, AT, AU, AZ, BA, BB, BG, BH, BR, BW, BY, BZ, CA, CH, CN, CO, CR, CU, CZ, DE, DK, DM, DO, DZ, EC, EE, EG, ES, FI, GB, GD, GE, GH, GM, GT, HN, HR, HU, ID, IL, IN, IS, JP, KE, KG, KM, KN, KP, KR, KZ, LA, LC, LK, LR, LS, LT, LU, LY, MA, MD, ME, MG, MK, MN, MW, MX, MY, MZ, NA, NG, NI, NO, NZ, OM, PG, PH, PL, PT, RO, RS, RU, SC, SD, SE, SG, SK, SL, SM, SV, SY, TJ, TM, TN, TR, TT, TZ, UA, UG, US, UZ, VC, VN, ZA, ZM, ZW.

(84) Designated States (unless otherwise indicated, for every kind of regional protection available): ARIPO (BW, GH, GM, KE, LS, MW, MZ, NA, SD, SL, SZ, TZ, UG, ZM, ZW), Eurasian (AM, AZ, BY, KG, KZ, MD, RU, TJ,

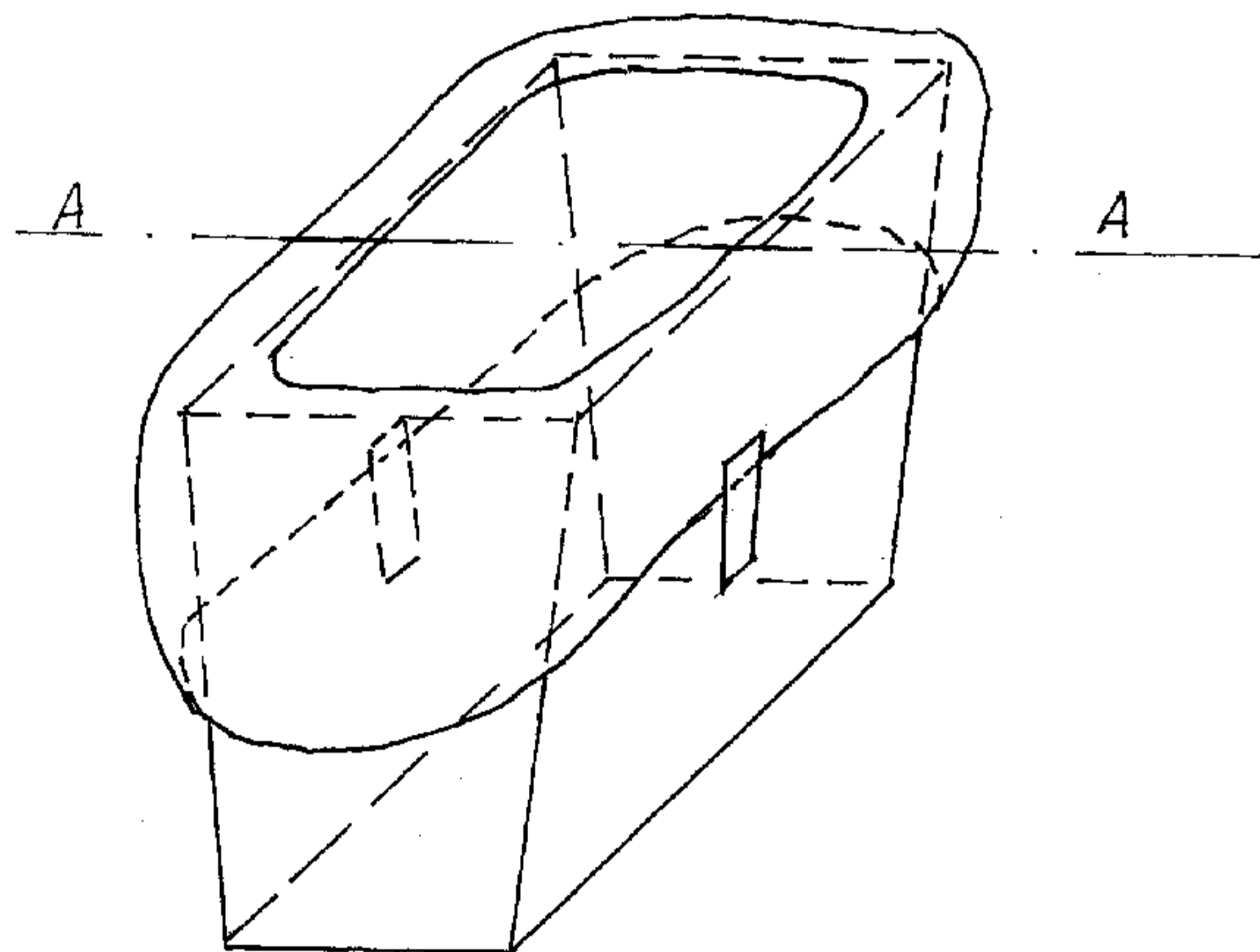
[Continued on next page]

(54) Title: ONION GARBAGE BAG ASSEMBLY

AA



(57) Abstract: The Onion Garbage Bag consists of many single garbage bags combined in the one piece by the specially designed tape separator (connector), which serves the purpose of removing the bags one by one when it is needed. The invention of the Onion Garbage Bag as a new product intends to reduce the time of inserting the bags into the garbage container usually done one by one.



Ryc. #1

1. The Onion Garbage Bag.
2. Separator,
3. Garbage container.



WO 2009/097675 A1

WO 2009/097675 A1 

TM), European (AT, BE, BG, CH, CY, CZ, DE, DK, EE, ES, FI, FR, GB, GR, HR, HU, IE, IS, IT, LT, LU, LV, MC, MT, NL, NO, PL, PT, RO, SE, SI, SK, TR), OAPI (BF, BJ, CF, CG, CI, CM, GA, GN, GQ, GW, ML, MR, NE, SN, TD, TG).

Published:

— *with international search report (Art. 21(3))*

Onion Garbage Bag Assembly

Description.

The Onion Garbage Bag is the batch of garbage bags where amount of bags is n between 2 and 25, and where the bags are separated by the specially designed separators which enable taking out the bags in sequence and also attaching the set into the garbage container after removing the waxed paper (see, Ryc. #2).

Please, see, the attached drawing, Ryc. #1.

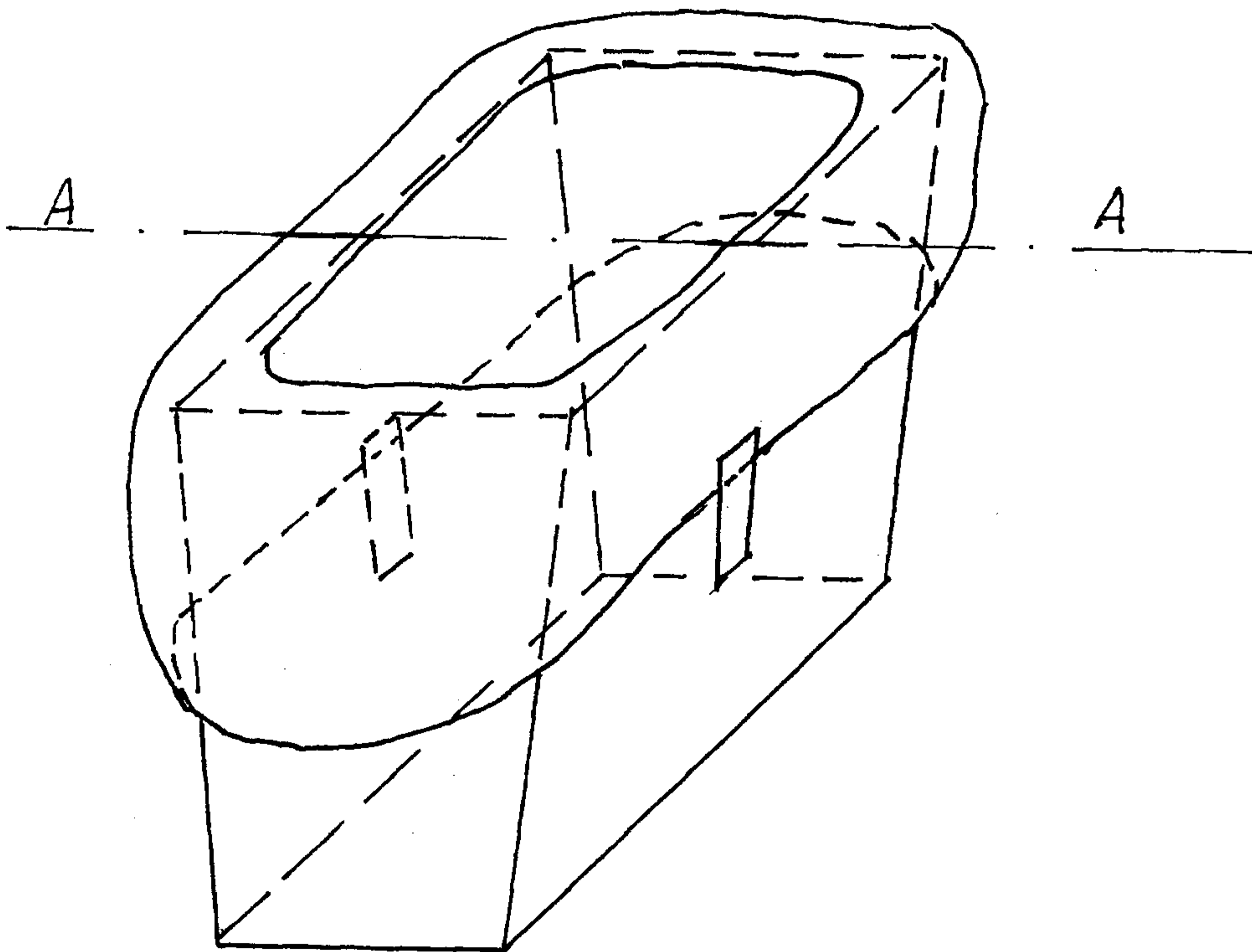
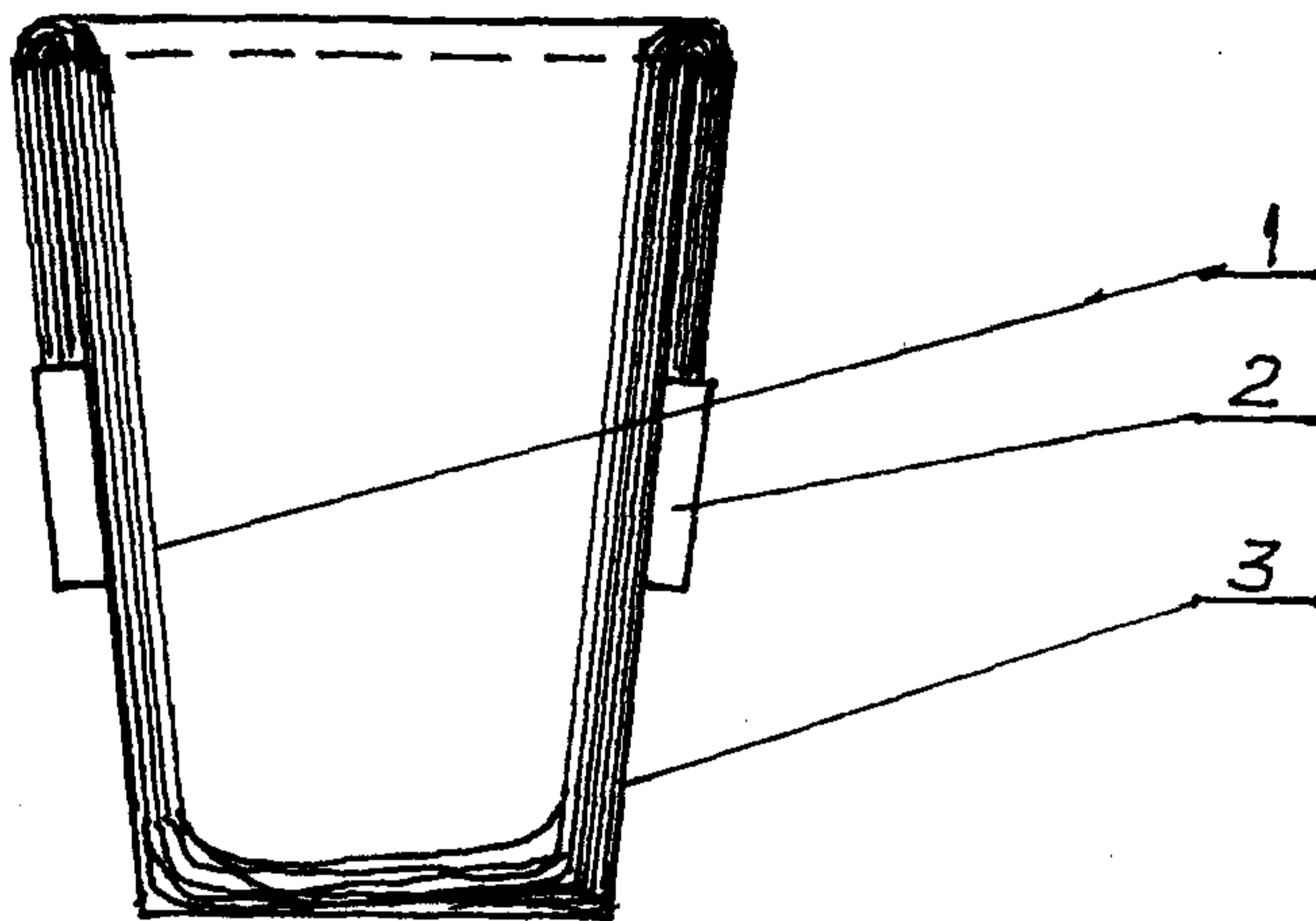
Two parallel separators are used for small bags, and four or more might be used for bigger bags.

The specifically design separator of the garbage bags is the clue of this patent. The drawing, Ryc. #2 , is showing the separator. The dimensions are different for different size of garbage bags. Example of dimensions for garbage bags 24" x 22" was shown in the table, Ryc. #3.

Claims.

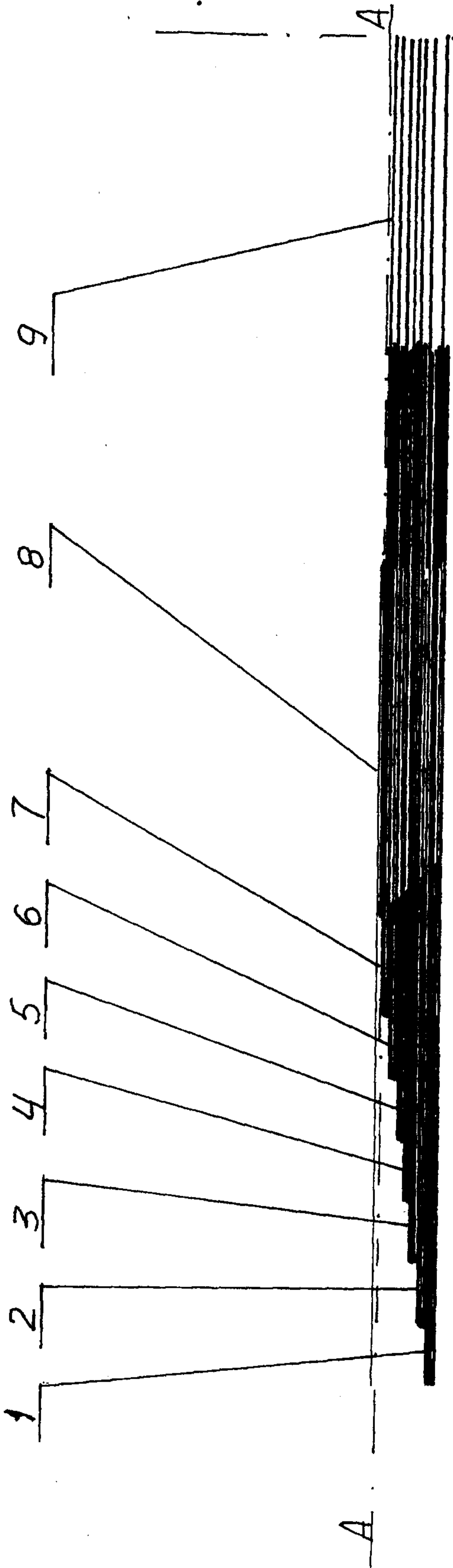
1. The Onion Garbage Bag consists of n commonly used garbage bags where n is between 2 and 25.
2. The separator is build up with glue tapes.
3. The glue surface ,taken as $(h - g - f) \times b$ [mm²] ,of tape #1 is the smallest, and of the tape #7 is the biggest, what ensures that by removing the tape #1 together with first removed garbage bag , the remaining tapes and bags are not effected.
4. The tapes are folded in such manner that manual detaching has to be done from tape #1 to tape #7 .

AA

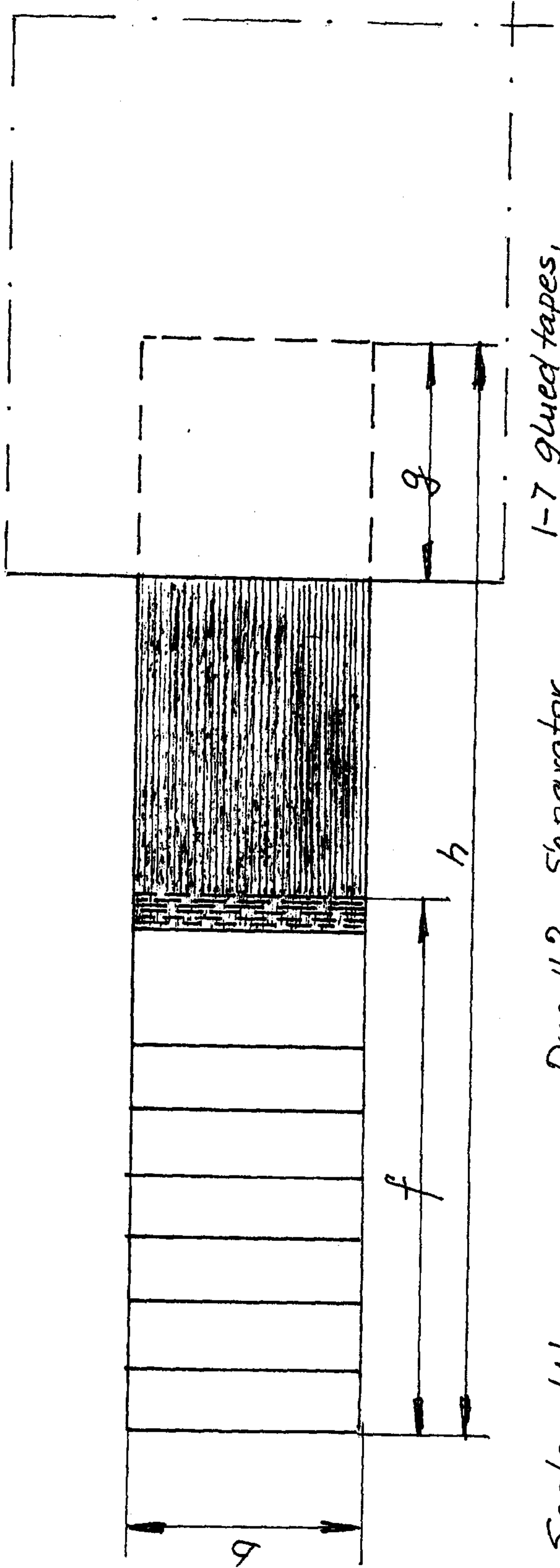


Ryc. #1

1. *The Onion Garbage Bag,*
2. *Separator,*
3. *Garbage container.*



AA



1-7 glued tapes,
8 waxed paper,

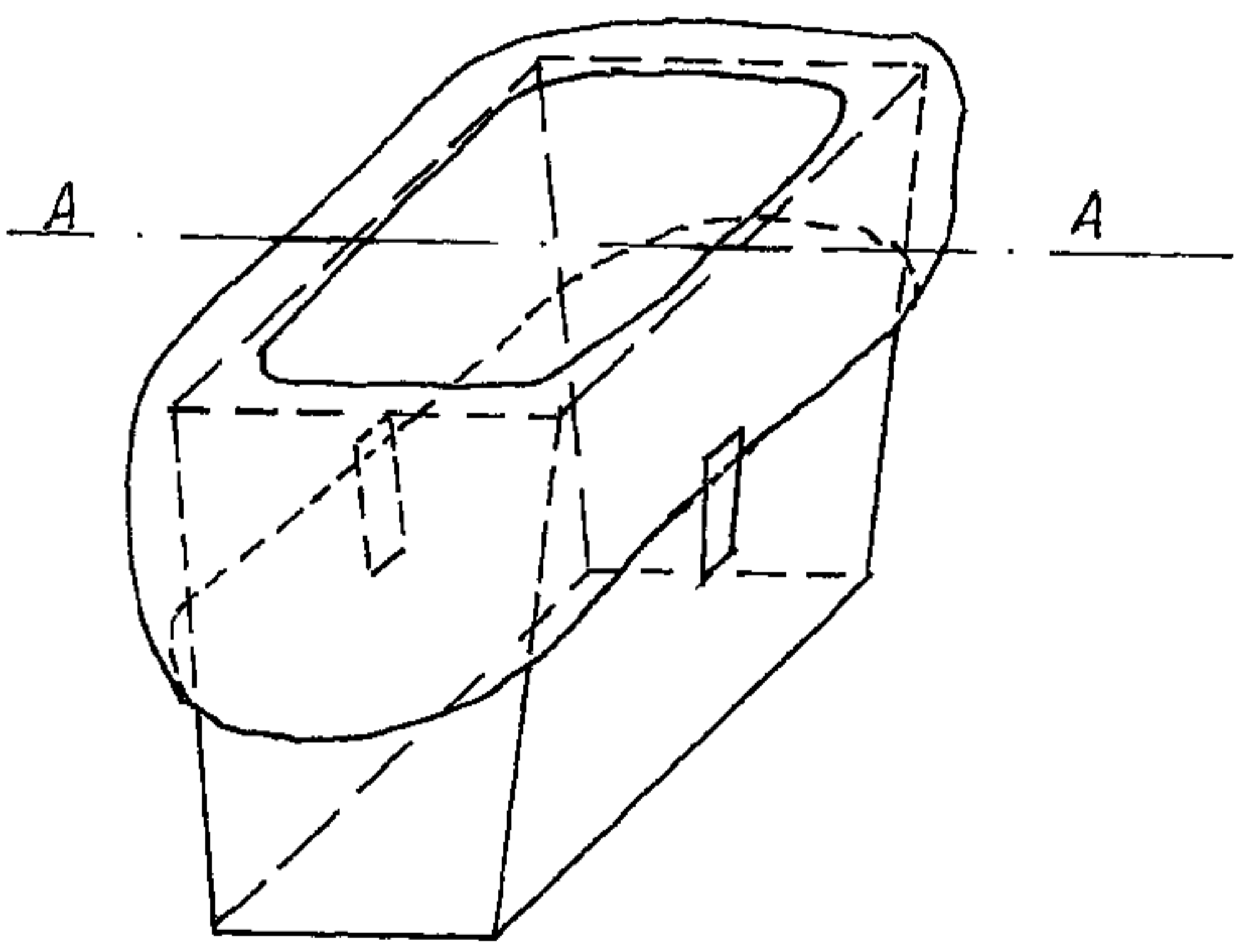
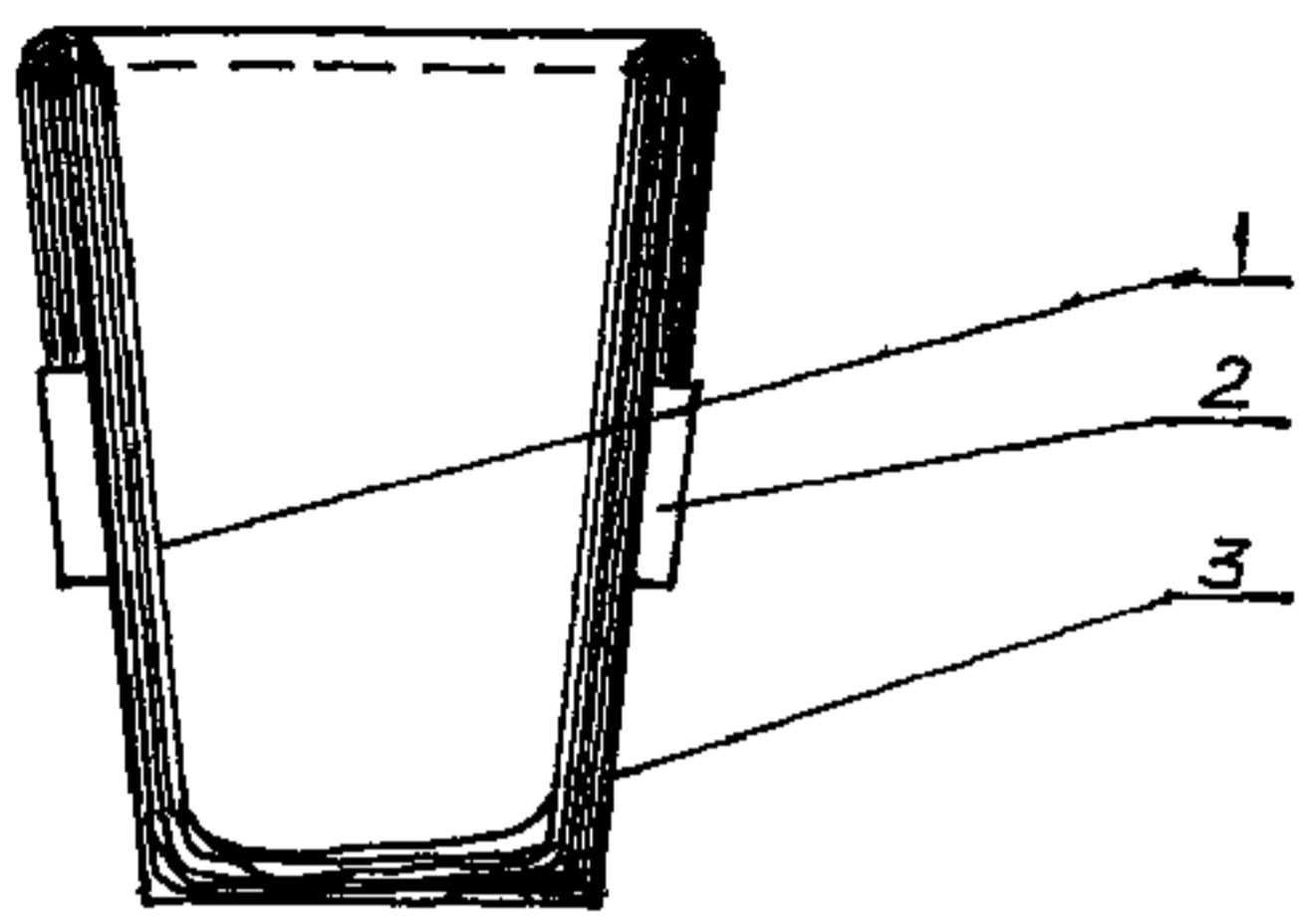
Ryc. #2. Separator

Scale 1:1

#	h	f	g	b
1	170	85	36	36
2	160	73	36	36
3	150	61	36	36
4	140	49	36	36
5	130	37	36	36
6	120	25	36	36
7	110	13	36	36

Example of the table of dimensions in [mm]
for the separator of garbage bags 24"x22".
Ryc. #3.

AA



Ryc. #1

1. The Onion Garbage Bag,
2. Separator,
3. Garbage container.