



US00D437752S

(12) **United States Design Patent** (10) **Patent No.:** **US D437,752 S**
Fredrickson (45) **Date of Patent:** **** Feb. 20, 2001**

(54) **ARTICLE LIFTER**

(76) Inventor: **David Frank Fredrickson**, 4951 Toll Bridge Rd., Belton, Bell County, TX (US) 76513

(**) Term: **14 Years**

(21) Appl. No.: **29/105,863**

(22) Filed: **Jun. 4, 1999**

Related U.S. Application Data

(60) Continuation-in-part of application No. 29/091,938, filed on Aug. 10, 1998, now Pat. No. Des. 412,270, which is a division of application No. 29/081,835, filed on Nov. 26, 1997, now Pat. No. Des. 404,985, which is a continuation of application No. 08/812,590, filed on Mar. 7, 1997, now abandoned.

(51) **LOC (7) Cl.** **08-05**
(52) **U.S. Cl.** **D8/14**
(58) **Field of Search** D8/14; D34/28, D34/33; 294/15, 26, 1.1, 19.1, 137, 153

(56) **References Cited**

U.S. PATENT DOCUMENTS

- D. 217,002 * 3/1970 Wagner D8/14
- D. 255,317 6/1980 Slinkard .
- D. 288,276 * 2/1987 Harney D8/14
- D. 317,703 * 6/1991 Cydrus D8/14
- D. 354,662 * 1/1995 Brezany D8/14
- D. 368,837 * 4/1996 Reed D8/14
- D. 404,985 * 2/1999 Fredrickson D8/14
- D. 412,270 * 7/1999 Fredrickson D8/14
- 435,420 9/1890 Healy .
- 2,274,918 3/1942 Chenette .
- 2,367,627 1/1945 Sterrett .

- 2,399,527 4/1946 Whitney .
- 2,428,941 10/1947 Packard .
- 2,739,007 3/1956 Rauterberg .
- 2,930,583 3/1960 Noe et al. .
- 3,203,606 8/1965 Masterson .
- 3,385,625 5/1968 Heines .
- 3,619,852 11/1971 Eckberg .
- 3,940,171 2/1976 Carlsson .
- 4,098,442 * 7/1978 Moore 294/26
- 4,113,160 9/1978 Spiers .
- 4,177,911 12/1979 Griffin .
- 4,577,897 3/1986 Mazac .
- 4,802,391 * 2/1989 Willhoite et al. 294/15
- 5,069,495 12/1991 Mears .
- 5,127,693 7/1992 Pruit .
- 5,171,052 12/1992 Cunn .
- 5,190,329 3/1993 Steer .
- 5,257,843 11/1993 Nunn .
- 5,522,116 6/1996 Enneking .

FOREIGN PATENT DOCUMENTS

- 3921366 A1 1/1991 (DE) .
- 1200132 7/1970 (GB) .

* cited by examiner

Primary Examiner—Robin V. Taylor
(74) *Attorney, Agent, or Firm*—Merek & Voorhees

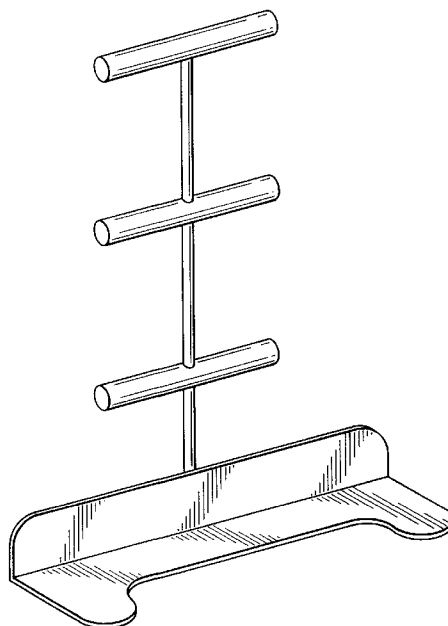
(57) **CLAIM**

The ornamental design for an article lifter, as shown and described.

DESCRIPTION

FIG. 1 is a front perspective view of my article lifter; and, FIG. 2 is a rear perspective view of the apparatus depicted in FIG. 1.

1 Claim, 1 Drawing Sheet



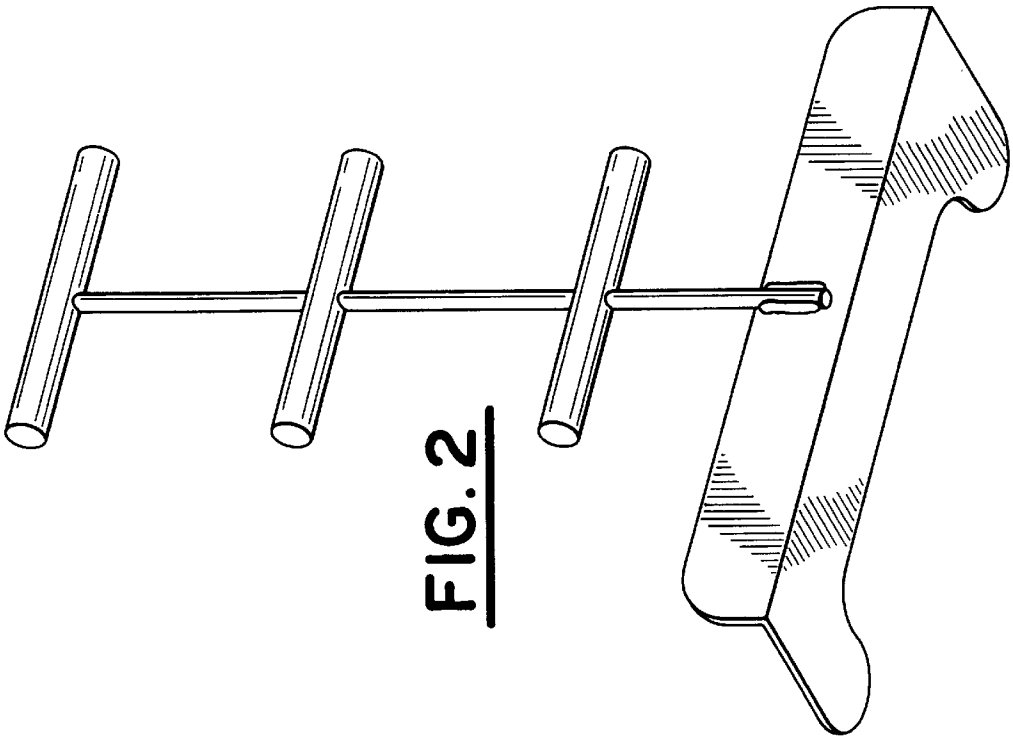


FIG. 2

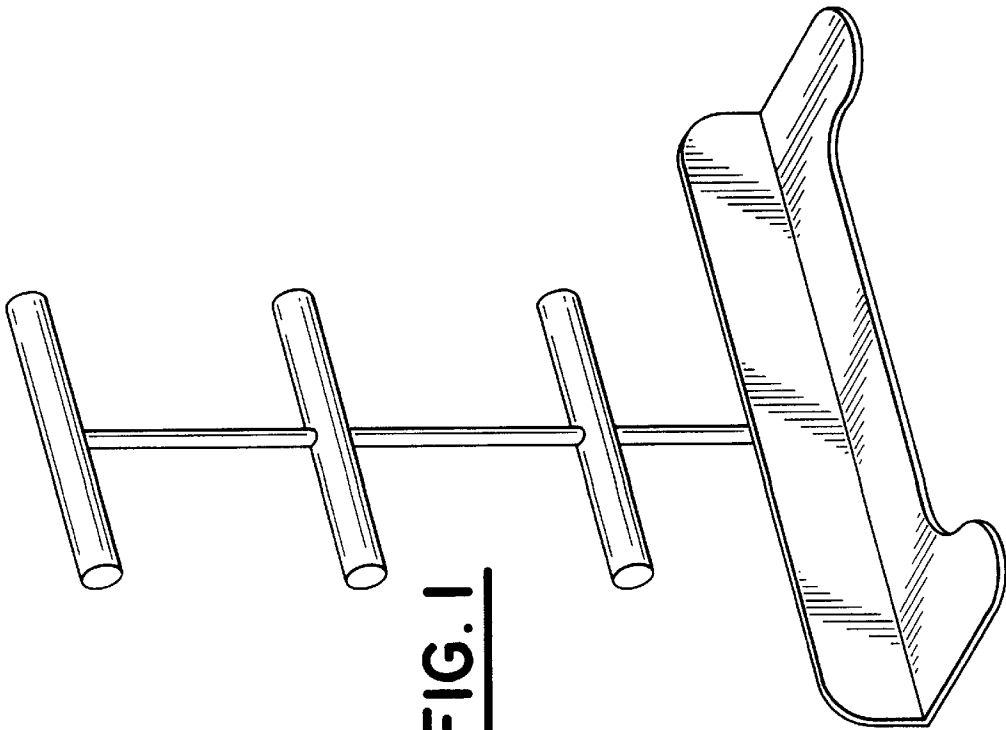


FIG. 1