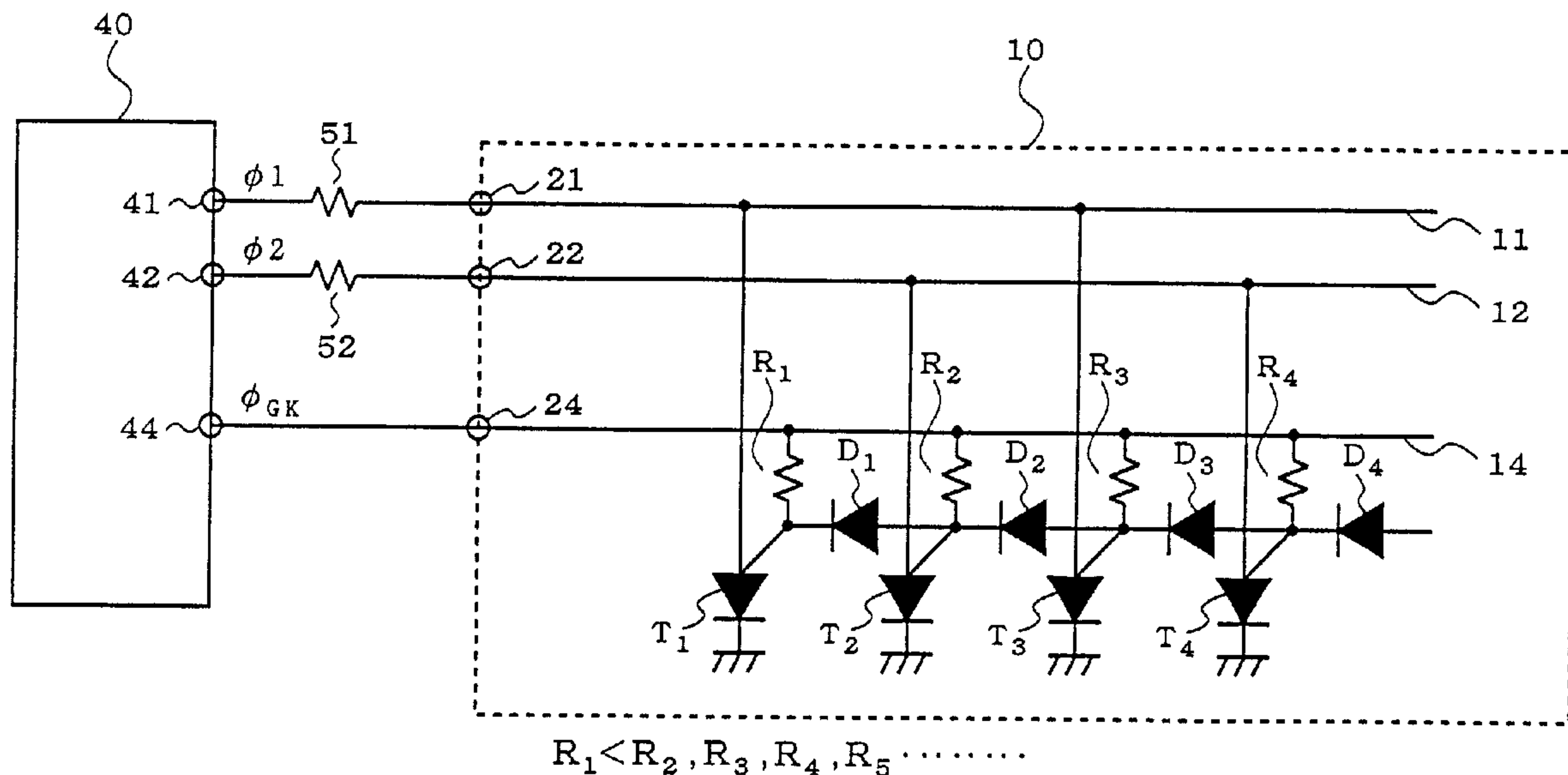




(86) Date de dépôt PCT/PCT Filing Date: 2000/08/24
 (87) Date publication PCT/PCT Publication Date: 2001/03/08
 (85) Entrée phase nationale/National Entry: 2001/04/27
 (86) N° demande PCT/PCT Application No.: JP 00/05680
 (87) N° publication PCT/PCT Publication No.: WO 01/15905
 (30) Priorité/Priority: 1999/08/30 (11/242653) JP

(51) Cl.Int.⁷/Int.Cl.⁷ B41J 2/45
 (71) Demandeur/Applicant:
NIPPON SHEET GLASS CO., LTD., JP
 (72) Inventeur/Inventor:
OHNO, SEIJI, JP
 (74) Agent: SMART & BIGGAR

(54) Titre : DISPOSITIF LUMINESCENT A AUTO-BALAYAGE
 (54) Title: SELF-SCANNING LIGHT-EMITTING DEVICE



(57) Abrégé/Abstract:

A self-scanning light-emitting device in which the number of bonding pads can be decreased to three or two comprises a light-emitting element array including a large number of three-terminal light-emitting elements having an electrode for controlling the threshold voltage or threshold current and arranged linearly, an electric means having unidirectionality of voltage or current and interconnecting the control electrodes of adjacent light-emitting elements, two clock pulse lines for supplying a two-phase clock pulse to one of two remaining terminals of every other light-emitting element, and a power supply line connected with each control electrode of each light-emitting element through each load resistor, wherein the resistance of the load resistor connected with the control electrode of the light-emitting element emitting light first is lower than the resistance of the other load resistors.

ABSTRACT

A self-scanning light-emitting device is provided in which the number of bonding pads can be decreased, i.e. 2 or 3. The device comprises an array of a plurality of three-terminal light-emitting elements ; electrical means having unidirectional characteristic to voltage or current for connecting the control electrodes of neighboring light-emitting elements to each other ; two clock pulse lines for applying two-phase clock pulses alternately to one of two terminals except the control electrode of each light-emitting element ; and a power supply line connected to each of the control electrodes of the light-emitting elements via a load resistor, respectively. The resistance of the load resistor connected to the light-emitting element to be turned on at first is selected to be smaller than that of other resistors. As a result, the bonding pad for the start pulse may be omitted.

Referring to Fig.1, there is shown an equivalent circuit diagram of a conventional self-scanning light-emitting device. This self-scanning light-emitting device is a type of two-phase driving device. In the figure, reference characters

5 $T_1, T_2, T_3 \dots$ designate light-emitting elements, $D_1, D_2, D_3 \dots$ coupling diodes, $R_1, R_2, R_3 \dots$ load resistors, respectively, the light-emitting elements being consisted of three-terminal light-emitting thyristors. All of the cathodes of the light-emitting elements are connected to the ground, the anodes of

10 odd-numbered light-emitting elements to a clock pulse $\phi 1$ line 11, the anode of even-numbered light-emitting elements to a clock pulse $\phi 2$ line 12, respectively. Each gate of the light-emitting elements is connected to a power supply voltage ϕ_{GK} line 14 via respective load resistor $R_1, R_2, R_3 \dots$.

15 The gate electrodes of neighboring light-emitting elements are connected to each other via respective coupling diodes $D_1, D_2, D_3 \dots$. Lines 11, 12 and 14 are derived outward via bonding pads 21, 22 and 24, respectively. The gate of the light-emitting element T_1 is connected to the bonding pad 23 for a

20 start pulse ϕ_s . In the figure, reference numeral 10 shows a chip for the integrated self-scanning light-emitting device.

Bonding pads 21, 22 and 23 are connected to output terminals 41 ($\phi 1$), 42 ($\phi 2$) and 43 (ϕ_s) of a driver circuit 40 via exterior current limiting resistors 51, 52 and 53, respectively, and the bonding pad 24 is directly connected to

25 a output terminal 44 (ϕ_{GK}) of the driver circuit 40.

Referring to Fig.2, there is shown the timing of driving pulses $\phi 1, \phi 2, \phi_{GK}$ and ϕ_s from the driver circuit 40. The levels of each pulse include High level and Low level, Low

30 level being equal to a cathode potential, i.e. a ground

potential.

In Fig.2, $L (T_1)$, $L (T_2)$, $L (T_3)$... show the state of the light emission of the element T_1 , T_2 , T_3 ..., the element being emitting state, i.e. on-state at the timing of a shaded area.

5 The timing diagram of Fig.2 is illustrated with divided three modes, i.e. MODE-1 (standby mode), MODE-2 (transition mode), and MODE-3 (transfer mode). In the standby mode (MODE-1), all of the light-emitting elements are off-state with ϕ_1 , ϕ_2 , ϕ_{GK} and ϕ_s being Low level. Transition mode
10 (MODE-2) has a time duration during which the power supply voltage pulse ϕ_{GK} is required to be driven to High level. In the transfer mode (MODE-3), the light-emitting element T_1 is turned on when the clock pulse ϕ_1 is driven to High level during the start pulse ϕ_s is at Low level. The start pulse
15 ϕ_s is turned to High level just after the element T_1 is turned on. After the element T_1 is turned on, the on-state of the elements is transferred by means of two-phase clock pulses ϕ_1 and ϕ_2 .

20 According to the structure of this conventional self-scanning light-emitting device, four bonding pads 21 (ϕ_1), 22 (ϕ_2), 23 (ϕ_s) are required in a chip due to the wiring to the driver circuit, so that it is difficult to make a chip small.

25 DISCLOSURE OF INVENTION

The object of the present invention is to provide a self-scanning light-emitting device in which the number of bonding pads in a chip may be decreased to 2 or 3.

30 According to the present invention, the number of pads in a chip may be decreased in a self-scanning light-emitting

device comprising an array of a plurality of three-terminal light-emitting elements linearly arranged each having a control electrode for controlling threshold voltage or current ; electrical means having unidirectional characteristic to voltage or current for connecting the control electrodes of neighboring light-emitting elements to each other ; two clock pulse lines for applying two-phase clock pulses alternately to one of two terminals except the control electrode of each light-emitting element, one phase clock pulse of the two-phase clock pulses causing the threshold voltage or current of the light-emitting elements in the vicinity of a turned-on light-emitting element to vary via the electrical means, and the other phase clock pulse of the two-phase clock pulses causing the light-emitting element neighbored to the turned-on light-emitting element to turn on ; and a power supply line connected to each of the control electrodes of the light-emitting elements via a load resistor, respectively.

In order to realize this, the following approaches may be adopted.

- (1) The resistance of the load resistor connected to the light-emitting element to be turned on at first is selected to be smaller than that of other resistors. As a result, the bonding pad for a start pulse may be omitted.
- (2) A diode or resistor is connected between one of the two clock pulse lines and the control electrode of the light-emitting element to be turned on at first. As a result, the bonding pad for a start pulse may be omitted.
- (3) A logical OR circuit consisting of a diode-diode logic is connected between the two clock pulse lines and the power

supply line. As a result, the bonding pad for the power supply pulse may be omitted.

(4) A logical OR circuit consisting of a diode-diode logic is connected between the two clock pulse lines and the power supply line, and a diode or resistor is connected between one of the two clock pulse lines and the control electrode of the light-emitting element to be turned on at first. As a result, the bonding pads for the start pulse and the power supply pulse may be omitted.

Also, the present invention is applicable to a type of self-scanning light-emitting device wherein transfer and light emission functions are separated. This type of device comprises an array of a plurality of three-terminal transfer elements linearly arranged each having a control electrode for controlling threshold voltage or current ; electrical means having unidirectional characteristic to voltage or current for connecting the control electrodes of neighboring transfer elements to each other ; two clock pulse lines for applying two-phase clock pulses alternately to one of two terminals except the control electrode of each transfer element, one phase clock pulse of the two-phase clock pulses causing the threshold voltage or current of the transfer elements in the vicinity of a turned-on transfer element to vary via the electrical means, and the other phase clock pulse of the two-phase clock pulses causing the transfer element neighbored to the turned-on transfer element to turn on ; a power supply line connected to each of the control electrodes of the transfer elements via a load resistor, respectively ; an array of a plurality of three-terminal light-emitting elements linearly arranged each having a

control electrode for controlling threshold voltage or current, each control electrode of the light-emitting elements being connected to corresponding control electrode of the transfer elements ; and a write signal line for
5 applying a write signal to one of two terminals except the control electrode of the light-emitting element.

In this self-scanning light-emitting device, the number of the bonding pads may be decreased by applying the approaches (1) - (4) to the part of a transfer function.

10

BRIEF DESCRIPTION OF THE DRAWINGS

Fig.1 is an equivalent circuit diagram of a conventional self-scanning light-emitting device.

Fig.2 is a timing diagram of driving pulses in the
15 conventional self-scanning light-emitting device.

Fig.3 is a equivalent circuit diagram of a self-scanning light-emitting device of a first embodiment.

Fig.4 is a timing diagram of driving pulses in the self-scanning light-emitting device of the first embodiment.

Fig.5 is a equivalent circuit diagram of a self-scanning
20 light-emitting device of a second embodiment.

Fig.6 is a timing diagram of driving pulses in the self-scanning light-emitting device of the second embodiment.

Fig.7 is a equivalent circuit diagram of a self-scanning
25 light-emitting device of a third embodiment.

Fig.8 is a equivalent circuit diagram of a self-scanning light-emitting device of a fourth embodiment.

Fig.9 is a timing diagram of driving pulses in the self-scanning light-emitting device of the fourth embodiment.

Fig.10 is a equivalent circuit diagram of a self-
30

scanning light-emitting device of a fifth embodiment.

Fig.11 is a timing diagram of driving pulses in the self-scanning light-emitting device of the fifth embodiment.

Fig.12 is a plan view of an example of integrated self-scanning light-emitting device of Fig.10.

Fig.13 is a cross sectional view taken along a Y-Y' line in Fig.12.

Fig.14 is a equivalent circuit diagram of a self-scanning light-emitting device of a sixth embodiment.

Fig.15 is a timing diagram of driving pulses in the self-scanning light-emitting device of the sixth embodiment.

BEST MODE FOR CARRYING OUT THE INVENTION

The embodiments of the present invention will now be described with reference to the drawings.

First Embodiment

Referring to Fig.3, there is shown an equivalent circuit diagram of a self-scanning light-emitting device of a first embodiment. It should be noted that like components in Fig.3 are indicated by like reference characters in Fig.1. In this embodiment, the start pulse ϕ_s in Fig.1 is omitted and its function is realized by the power supply voltage pulse ϕ_{GK} . In this case, the resistance of the load resistor R_1 connected to the light-emitting element T_1 is selected to be smaller than respective resistance of the resistors R_2, R_3, \dots , connected to the light-emitting elements T_2, T_3, \dots , so that the element T_1 is preferentially turned on when the clock pulse ϕ_1 is at High level and the power supply voltage pulse ϕ_{GK} is at Low level.

Referring to Fig.4, there is shown a timing diagram of driving pulses in the self-scanning light-emitting device in Fig.3. In general, the lower the gate voltage, the shorter the time required for turning on a light-emitting element becomes. The gate voltage is determined by the voltage drop across the load resistor due to a threshold current. Therefore, the smaller the resistance of the load resistor, the shorter the time required to turn on a light-emitting element becomes. As a result, if the resistance of R_1 is selected to be smaller than each resistance of R_2, R_3, \dots , then the light-emitting element T_1 is selectively turned on when the clock pulse ϕ_1 is driven to High level while the power supply pulse voltage ϕ_{GK} is at Low level. Once the light-emitting element T_1 is turned on, other light-emitting elements can not be turned on. After that, ϕ_{GK} is driven to High level, and the self-scanning light-emitting device is operated in a conventional manner.

The difference between the gate voltage of the light-emitting element T_1 and that of the light-emitting element T_2 is $(R_2 - R_1) \times I_{th}$, wherein " R_1 " and " R_2 " are the resistances of the resistors R_1 and R_2 , and I_{th} is a threshold current of the light-emitting element. If this voltage difference is larger, the light-emitting element T_1 is selectively turned on in a stable manner, so that the resistance R_1 is required to be small. However, too small resistance R_1 is not permissible, because where the resistance R_1 is too small, the light-emitting T_1 can not drive the load resistor R_1 at High level of ϕ_{GK} .

According to the present embodiment, the number of bonding pads may be decreased by one pad compared with the

self-scanning light-emitting device in Fig.1, thus decreasing an area of the chip 10.

Second Embodiment

5 In this embodiment, the start pulse ϕ_s is omitted in the self-scanning light-emitting device shown in Fig.1 and its function is realized by the clock pulse ϕ_2 . Fig.5 shows a equivalent circuit diagram of a self-scanning light-emitting device of this embodiment. It should be noted that
 10 like components in Fig.5 are indicated by like reference characters in Fig.1. In this case, the gate of the light-emitting T_1 is connected to the clock pulse ϕ_2 line 12 via one diode 61. Depend upon the level of the gate voltage V_H of the light-emitting element T_1 , two or more diodes may be
 15 connected in series.

Referring to Fig.6, there is shown a timing diagram of driving pulses in the self-scanning light-emitting device of the second embodiment. When the clock pulse ϕ_2 is at Low level while all of the light-emitting element are not on-
 20 state, the threshold voltage of the light-emitting element T_1 is about $2V_D$ (V_D is a diffusion potential of PN junction), and that of the light-emitting element T_3 is about $4V_D$. Therefore, when the clock pulse ϕ_1 is pulled up to more than $2V_D$, the light-emitting element T_1 is selectively turned on.
 25 On the other hand, when the clock pulse ϕ_2 is at High level to cause an even-numbered light-emitting element T_{2n} (n is a natural number) connected to the line 12 to turn on, the threshold voltage to turn on an odd-numbered light-emitting element T_{2n+1} is about $2V_D$, and the threshold voltage of the
 30 light-emitting element T_1 is $(V_H + 2V_D)$, therefore the

threshold voltage of the light-emitting element T_{2n+1} becomes the lowest voltage. As a result, the clock pulse $\phi 1$ is driven to High level, then the light-emitting element T_{2n+1} is selectively turned on. After that, even if the clock pulse
5 $\phi 2$ is driven to Low level, the light-emitting element T_1 is not turned on because the threshold voltage of the element T_1 is $2V_D$, which is higher than the voltage (about V_D) of the clock pulse $\phi 1$ when the element T_{2n+1} is turned on.

According to the present embodiment, the number of
10 bonding pads may be decreased by one pad compared with the self-scanning light-emitting device in Fig.1.

Third Embodiment

In this embodiment, the diode 61 in the second
15 embodiment in Fig.5 is replaced by a resistor. Fig.7 shows a equivalent circuit diagram of a self-scanning light-emitting device of this embodiment. It should be noted that like components in Fig.7 are designated by like characters in Fig.1. The gate of the light-emitting element T_1 is
20 connected to the clock pulse $\phi 2$ line 12 via a resistor 62.

This embodiment realizes the same function as the embodiment of Fig.5 by utilizing the voltage drop across the resistor 62 (the resistance thereof is R_s) by a threshold current in place of the diffusion voltage of the diode 61 in
25 Fig.5. That is, when the clock pulse $\phi 2$ is at Low level while all of the light-emitting element are not on-state, the threshold voltage of the light-emitting element T_1 is about $(V_D + R_s \times I_{th})$, and that of the light-emitting element T_3 is about $(3V_D + R_s \times I_{th})$. Therefore, when the voltage of the
30 clock pulse $\phi 1$ is pulled up more than $(V_D + R_s \times I_{th})$, the

light-emitting element T_1 is selectively turned on. On the other hand, when the clock pulses $\phi 2$ is at High level to cause an even-numbered light-emitting element T_{2n} (n is a natural number) connected to the line 12 to turn on, the threshold voltage to turn on an odd-numbered light-emitting element T_{2n+1} is about $2V_D$, and the threshold voltage of the light-emitting element T_1 is $(V_H + V_D + R_S \times I_{th})$, therefore the threshold voltage of the light-emitting element T_{2n+1} becomes the lowest voltage. As a result, the clock pulse $\phi 1$ is driven to High level, then the light-emitting element T_{2n+1} is selectively turned on.

Fourth Embodiment

The power supply voltage pulse ϕ_{GK} is supplied from the driver circuit 40 in the self-scanning light-emitting device in Fig.1, but it is synthesized from the clock pulse $\phi 1$ and $\phi 2$ in a fourth embodiment. Fig.8 shows a equivalent circuit diagram of a self-scanning light-emitting device of the fourth embodiment. It should be noted that like components in Fig.8 are designated by like reference characters in Fig.1.

In this embodiment, the power supply voltage pulse ϕ_{GK} line 14 is connected to the clock pulse $\phi 1$, $\phi 2$ lines 11 and 12 via diodes 63a and 63b, respectively. The voltage $V(14)$ of the line 14 is synthesized as a logical OR of the clock pulse $\phi 1$ and $\phi 2$. In this case, a logical OR circuit consisting of diode-diode logic (DDL) is used. To obtain the synthesized voltage $V(14)$, any one of levels of the clock pulse $\phi 1$ and $\phi 2$ must be at High level after a light-emitting element is turned on. For this purpose, the exterior current limiting resistors 51 and 52 in the first,

second and third embodiments are mounted in the chip 10. The resistors mounted in the chip are designated by reference numerals 64 and 65.

Referring to Fig.9, there is shown a timing diagram of driving pulses in the self-scanning light-emitting device of the fourth embodiment. When the clock pulse ϕ_1 is driven to High level during the transition mode (MODE-2), the voltage V(14) of the line 14 becomes High level, then the power supply voltage is applied to the light-emitting elements. When the start pulse ϕ_s is driven from High level to Low level in the transfer mode (MODE-3), the light-emitting element T_1 is turned on. Just after that, the start pulse ϕ_s is returned to High level.

15 Fifth Embodiment

This embodiment is directed to a combination of the second embodiment in Fig.5 and the fourth embodiment in Fig.8. Fig.10 shows an equivalent circuit of a self-scanning light-emitting device of the present embodiment. Like components in Fig.10 are designated by like reference characters in Figs.5 and 8.

Referring to Fig.11 there is shown the timing of driving pulses in this embodiment. When the clock pulse ϕ_2 is driven to High level during the transition mode (MODE-2), the voltage V(14) becomes High level to apply a power supply voltage to light-emitting elements. Then, the light-emitting element T_1 is turned on when the clock pulse ϕ_2 is at Low level.

Referring to Fig.12, there is shown a plan view of an example of integrated self-scanning light-emitting device of

Fig.10. Fig.13 is a cross sectional view taken along a Y-Y' line in Fig.12. Like components in Figs.12 and 13 are designated by like reference characters in Fig.10. As shown in Fig.13, the load resistor R_2 , coupling diode D_1 , and light-emitting element T_1 are formed from the structure in which a first conductivity type layer 1, a second conductivity type layer 2, a first conductivity type layer 3, and a second conductivity type layer 4 are sequentially stacked on a first conductivity type substrate 7. In the figures, reference numeral 5 designates an anode electrode of the light-emitting element T_1 , reference numeral 6 an electrode of the load resistor R_2 .

Apparent from Fig.12, there is only bonding pads 21 and 22 for clock pulse ϕ_1 and ϕ_2 , so that the area of the chip may be further decreased.

Sixth Embodiment

Referring to Fig.14, there is a equivalent circuit diagram of a self-scanning light-emitting device of a sixth embodiment. This embodiment has a structure that a transfer function is realized utilizing the circuit of the fifth embodiment in Fig.10, which is separated from a light emission function. That is, the transfer function is realized by using the light-emitting elements T_1, T_2, T_3, \dots as transfer elements, and light emission function is realized by the light-emitting elements L_1, L_2, L_3, \dots . The gates of transfer elements T_1, T_2, T_3, \dots are correspondingly connected to the gates of the light-emitting elements, the anodes thereof are connected to a write signal ϕ_I line 15. The line 15 is connected to a output terminal (ϕ_I) 45 of the

driver circuit 40 via an exterior resistor 55.

The gate of the transfer element turned on becomes about 0 volts, so that the corresponding light-emitting element may be turned on if the voltage of the write signal ϕ_I is larger than a diffusion potential of PN junction. In order to transfer the turn-on state to next transfer element, the voltage of the write signal is once dropped to 0 volts to turn-off the light-emitting element turned on.

Fig.15 shows the timing of driving pulses in this embodiment. It would be understood from the figure that the light-emitting elements T_1, T_2, T_3, \dots are turned on depending upon High level of the write signal ϕ_I .

It is easily understood for those who skilled in the art that the structure wherein the transfer function and the light emission function are separated is applicable to the first to fourth embodiments.

INDUSTRIAL APPLICABILITY

According to the present invention described above, the number of bonding pads provided in a chip may be decreased, so that it is possible to make the size of a chip small.

CLAIMS

1. A self-scanning light-emitting device, comprising :

an array of a plurality of three-terminal light-emitting elements linearly arranged each having a control electrode
5 for controlling threshold voltage or current ;

electrical means having unidirectional characteristic to voltage or current for connecting the control electrodes of neighboring light-emitting elements to each other ;

two clock pulse lines for applying two-phase clock pulses
10 alternately to one of two terminals except the control electrode of each light-emitting element, one phase clock pulse of the two-phase clock pulses causing the threshold voltage or current of the light-emitting elements in the vicinity of a turned-on light-emitting element to vary via
15 the electrical means, and the other phase clock pulse of the two-phase clock pulses causing the light-emitting element neighbored to the turned-on light-emitting element to turn on ; and

a power supply line connected to each of the control
20 electrodes of the light-emitting elements via a load resistor, respectively ;

wherein the resistance of the load resistor connected to the light-emitting element to be turned on at first is selected to be smaller than respective resistance of other
25 load resistors.

2. A self-scanning light-emitting device, comprising :

an array of a plurality of three-terminal light-emitting elements linearly arranged each having a control electrode
30 for controlling threshold voltage or current ;

electrical means having unidirectional characteristic to voltage or current for connecting the control electrodes of neighboring light-emitting elements to each other ;

two clock pulse lines for applying two-phase clock pulses
5 alternately to one of two terminals except the control electrode of each light-emitting element, one phase clock pulse of the two-phase clock pulses causing the threshold voltage or current of the light-emitting elements in the vicinity of a turned-on light-emitting element to vary via
10 the electrical means, and the other phase clock pulse of the two-phase clock pulses causing the light-emitting element neighbored to the turned-on light-emitting element to turn on ;

a power supply line connected to each of the control
15 electrodes of the light-emitting elements via a load resistor, respectively ; and

a diode connected between one of the two clock pulse lines and the control electrode of the light-emitting element to be turned on at first.

20

3. A self-scanning light-emitting device, comprising :

an array of a plurality of three-terminal light-emitting elements linearly arranged each having a control electrode for controlling threshold voltage or current ;

25 electrical means having unidirectional characteristic to voltage or current for connecting the control electrodes of neighboring light-emitting elements to each other ;

two clock pulse lines for applying two-phase clock pulses alternately to one of two terminals except the control
30 electrode of each light-emitting element, one phase clock

pulse of the two-phase clock pulses causing the threshold voltage or current of the light-emitting elements in the vicinity of a turned-on light-emitting element to vary via the electrical means, and the other phase clock pulse of the
5 two-phase clock pulses causing the light-emitting element neighbored to the turned-on light-emitting element to turn on ;

a power supply line connected to each of the control electrodes of the light-emitting elements via a load resistor,
10 respectively ; and

a resistor connected between one of the two clock pulse lines and the control electrode of the light-emitting element to be turned on at first.

15 4. A self-scanning light-emitting device, comprising :

an array of a plurality of three-terminal light-emitting elements linearly arranged each having a control electrode for controlling threshold voltage or current ;

20 electrical means having unidirectional characteristic to voltage or current for connecting the control electrodes of neighboring light-emitting elements to each other ;

two clock pulse lines for applying two-phase clock pulses alternately to one of two terminals except the control electrode of each light-emitting element, one phase clock
25 pulse of the two-phase clock pulses causing the threshold voltage or current of the light-emitting elements in the vicinity of a turned-on light-emitting element to vary via the electrical means, and the other phase clock pulse of the two-phase clock pulses causing the light-emitting element
30 neighbored to the turned-on light-emitting element to turn

on ;

a power supply line connected to each of the control electrodes of the light-emitting elements via a load resistor, respectively ; and

5 a logical OR circuit consisting of a diode-diode logic connected between the two clock pulse lines and the power supply line.

5. A self-scanning light-emitting device, comprising :

10 an array of a plurality of three-terminal light-emitting elements linearly arranged each having a control electrode for controlling threshold voltage or current ;

electrical means having unidirectional characteristic to voltage or current for connecting the control electrodes of
15 neighboring light-emitting elements to each other ;

two clock pulse lines for applying two-phase clock pulses alternately to one of two terminals except the control electrode of each light-emitting element, one phase clock pulse of the two-phase clock pulses causing the threshold
20 voltage or current of the light-emitting elements in the vicinity of a turned-on light-emitting element to vary via the electrical means, and the other phase clock pulse of the two-phase clock pulses causing the light-emitting element neighbored to the turned-on light-emitting element to turn
25 on ;

a power supply line connected to each of the control electrodes of the light-emitting elements via a load resistor, respectively ;

a logical OR circuit consisting of a diode-diode logic
30 connected between the two clock pulse lines and the power

supply line ; and

a diode connected between one of the two clock pulse lines and the control electrode of the light-emitting element to be turned on at first.

5

6. A self-scanning light-emitting device, comprising :

an array of a plurality of three-terminal light-emitting elements linearly arranged each having a control electrode for controlling threshold voltage or current ;

10 electrical means having unidirectional characteristic to voltage or current for connecting the control electrodes of neighboring light-emitting elements to each other ;

two clock pulse lines for applying two-phase clock pulses alternately to one of two terminals except the control
15 electrode of each light-emitting element, one phase clock pulse of the two-phase clock pulses causing the threshold voltage or current of the light-emitting elements in the vicinity of a turned-on light-emitting element to vary via the electrical means, and the other phase clock pulse of the
20 two-phase clock pulses causing the light-emitting element neighbored to the turned-on light-emitting element to turn on ;

a power supply line connected to each of the control electrodes of the light-emitting elements via a load resistor,
25 respectively ;

a logical OR circuit consisting of a diode-diode logic connected between the two clock pulse lines and the power supply line ; and

a resistor connected between one of the two clock pulse
30 lines and the control electrode of the light-emitting element

to be turned on at first.

7. The self-scanning light-emitting device of any one of claims 1-6, wherein the three-terminal light-emitting element
5 is a three-terminal light-emitting thyristor.

8. A self-scanning light-emitting device, comprising :

an array of a plurality of three-terminal transfer elements linearly arranged each having a control electrode
10 for controlling threshold voltage or current ;

electrical means having unidirectional characteristic to voltage or current for connecting the control electrodes of neighboring transfer elements to each other ;

two clock pulse lines for applying two-phase clock pulses
15 alternately to one of two terminals except the control electrode of each transfer element, one phase clock pulse of the two-phase clock pulses causing the threshold voltage or current of the transfer elements in the vicinity of a turned-on transfer element to vary via the electrical means, and the
20 other phase clock pulse of the two-phase clock pulses causing the transfer element neighbored to the turned-on transfer element to turn on ;

a power supply line connected to each of the control electrodes of the transfer elements via a load resistor,
25 respectively ;

an array of a plurality of three-terminal light-emitting elements linearly arranged each having a control electrode for controlling threshold voltage or current, each control electrode of the light-emitting elements being connected to
30 corresponding control electrode of the transfer elements ;

and

a write signal line for applying a write signal to one of two terminals except the control electrode of the light-emitting element ;

5 wherein the resistance of the load resistor connected to the transfer element to be turned on at first is selected to be smaller than that of other resistors.

9. A self-scanning light-emitting device, comprising :

10 an array of a plurality of three-terminal transfer elements linearly arranged each having a control electrode for controlling threshold voltage or current ;

15 electrical means having unidirectional characteristic to voltage or current for connecting the control electrodes of neighboring transfer elements to each other ;

two clock pulse lines for applying two-phase clock pulses alternately to one of two terminals except the control electrode of each transfer element, one phase clock pulse of the two-phase clock pulses causing the threshold voltage or
20 current of the transfer elements in the vicinity of a turned-on transfer element to vary via the electrical means, and the other phase clock pulse of the two-phase clock pulses causing the transfer element neighbored to the turned-on transfer element to turn on ;

25 a power supply line connected to each of the control electrodes of the transfer elements via a load resistor, respectively ;

30 an array of a plurality of three-terminal light-emitting elements linearly arranged each having a control electrode for controlling threshold voltage or current, each control

electrode of the light-emitting elements being connected to corresponding control electrode of the transfer elements ;

a write signal line for applying a write signal to one of two terminals except the control electrode of the light-emitting element ; and

a diode connected between one of the two clock pulse lines and the control electrode of the transfer element to be turned on at first.

10 10. A self-scanning light-emitting device, comprising :

an array of a plurality of three-terminal transfer elements linearly arranged each having a control electrode for controlling threshold voltage or current ;

15 electrical means having unidirectional characteristic to voltage or current for connecting the control electrodes of neighboring transfer elements to each other ;

two clock pulse lines for applying two-phase clock pulses alternately to one of two terminals except the control electrode of each transfer element, one phase clock pulse of the two-phase clock pulses causing the threshold voltage or current of the transfer elements in the vicinity of a turned-on transfer element to vary via the electrical means, and the other phase clock pulse of the two-phase clock pulses causing the transfer element neighbored to the turned-on transfer element to turn on ;

a power supply line connected to each of the control electrodes of the transfer elements via a load resistor, respectively ;

an array of a plurality of three-terminal light-emitting elements linearly arranged each having a control electrode

for controlling threshold voltage or current, each control electrode of the light-emitting elements being connected to corresponding control electrode of the transfer elements ; and

5 a write signal line for applying a write signal to one of two terminals except the control electrode of the light-emitting element ; and

a resistor connected between one of the two clock pulse lines and the control electrode of the transfer element to be
10 turned on at first.

11. A self-scanning light-emitting device, comprising :

an array of a plurality of three-terminal transfer elements linearly arranged each having a control electrode
15 for controlling threshold voltage or current ;

electrical means having unidirectional characteristic to voltage or current for connecting the control electrodes of neighboring transfer elements to each other ;

two clock pulse lines for applying two-phase clock pulses
20 alternately to one of two terminals except the control electrode of each transfer element, one phase clock pulse of the two-phase clock pulses causing the threshold voltage or current of the transfer elements in the vicinity of a turned-on transfer element to vary via the electrical means, and the
25 other phase clock pulse of the two-phase clock pulses causing the transfer element neighbored to the turned-on transfer element to turn on ;

a power supply line connected to each of the control electrodes of the transfer elements via a load resistor,
30 respectively ;

an array of a plurality of three-terminal light-emitting elements linearly arranged each having a control electrode for controlling threshold voltage or current, each control electrode of the light-emitting elements being connected to
5 corresponding control electrode of the transfer elements ;

a write signal line for applying a write signal to one of two terminals except the control electrode of the light-emitting element ; and

a logical OR circuit consisting of a diode-diode logic
10 connected between the two clock pulse lines and the power supply line.

12. A self-scanning light-emitting device, comprising :

an array of a plurality of three-terminal transfer
15 elements linearly arranged each having a control electrode for controlling threshold voltage or current ;

electrical means having unidirectional characteristic to voltage or current for connecting the control electrodes of neighboring transfer elements to each other ;

20 two clock pulse lines for applying two-phase clock pulses alternately to one of two terminals except the control electrode of each transfer element, one phase clock pulse of the two-phase clock pulses causing the threshold voltage or current of the transfer elements in the vicinity of a turned-
25 on transfer element to vary via the electrical means, and the other phase clock pulse of the two-phase clock pulses causing the transfer element neighbored to the turned-on transfer element to turn on ;

a power supply line connected to each of the control
30 electrodes of the transfer elements via a load resistor,

respectively ;

an array of a plurality of three-terminal light-emitting elements linearly arranged each having a control electrode for controlling threshold voltage or current, each control
5 electrode of the light-emitting elements being connected to corresponding control electrode of the transfer elements ;

a write signal line for applying a write signal to one of two terminals except the control electrode of the light-emitting element ;

10 a logical OR circuit consisting of a diode-diode logic connected between the two clock pulse lines and the power supply line ; and

a diode connected between one of the two clock pulse lines and the control electrode of the transfer element to be
15 turned on at first.

13. A self-scanning light-emitting device, comprising :

an array of a plurality of three-terminal transfer elements linearly arranged each having a control electrode
20 for controlling threshold voltage or current ;

electrical means having unidirectional characteristic to voltage or current for connecting the control electrodes of neighboring transfer elements to each other ;

two clock pulse lines for applying two-phase clock pulses
25 alternately to one of two terminals except the control electrode of each transfer element, one phase clock pulse of the two-phase clock pulses causing the threshold voltage or current of the transfer elements in the vicinity of a turned-on transfer element to vary via the electrical means, and the
30 other phase clock pulse of the two-phase clock pulses causing

the transfer element neighbored to the turned-on transfer element to turn on ;

a power supply line connected to each of the control electrodes of the transfer elements via a load resistor,
5 respectively ;

an array of a plurality of three-terminal light-emitting elements linearly arranged each having a control electrode for controlling threshold voltage or current, each control electrode of the light-emitting elements being connected to
10 corresponding control electrode of the transfer elements ;

a write signal line for applying a write signal to one of two terminals except the control electrode of the light-emitting element ;

a logical OR circuit consisting of diode-diode logic
15 connected between the two clock pulse lines and the power supply line ; and

a resistor connected between one of the two clock pulse lines and the control electrode of the transfer element to be turned on at first.

20

14. The self-scanning light-emitting device of any one of claims 8-13, wherein the three-terminal transfer element and three-terminal light-emitting element is a three-terminal light-emitting emitting thyristor, respectively.

Smart & Biggar
Ottawa, Canada
Patent Agents

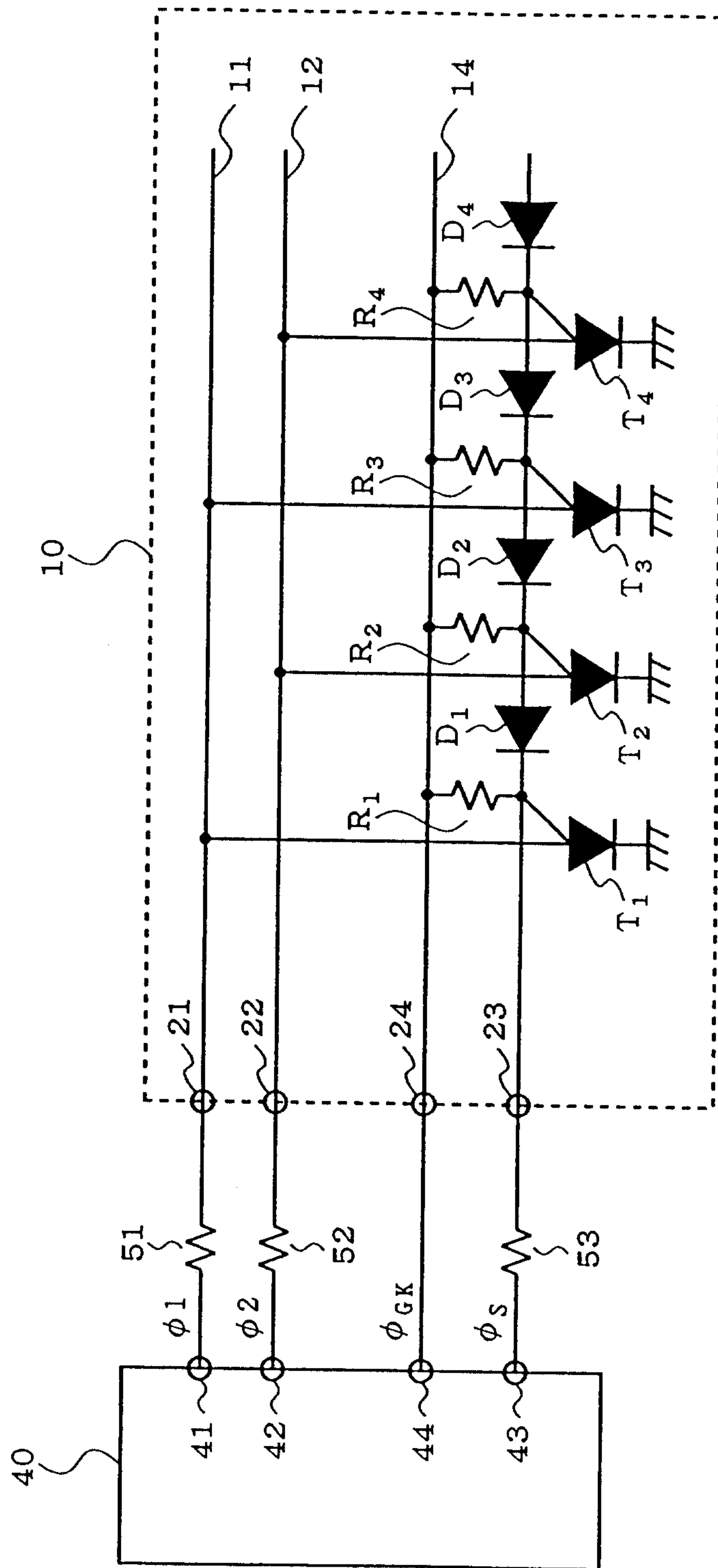


FIG. 1

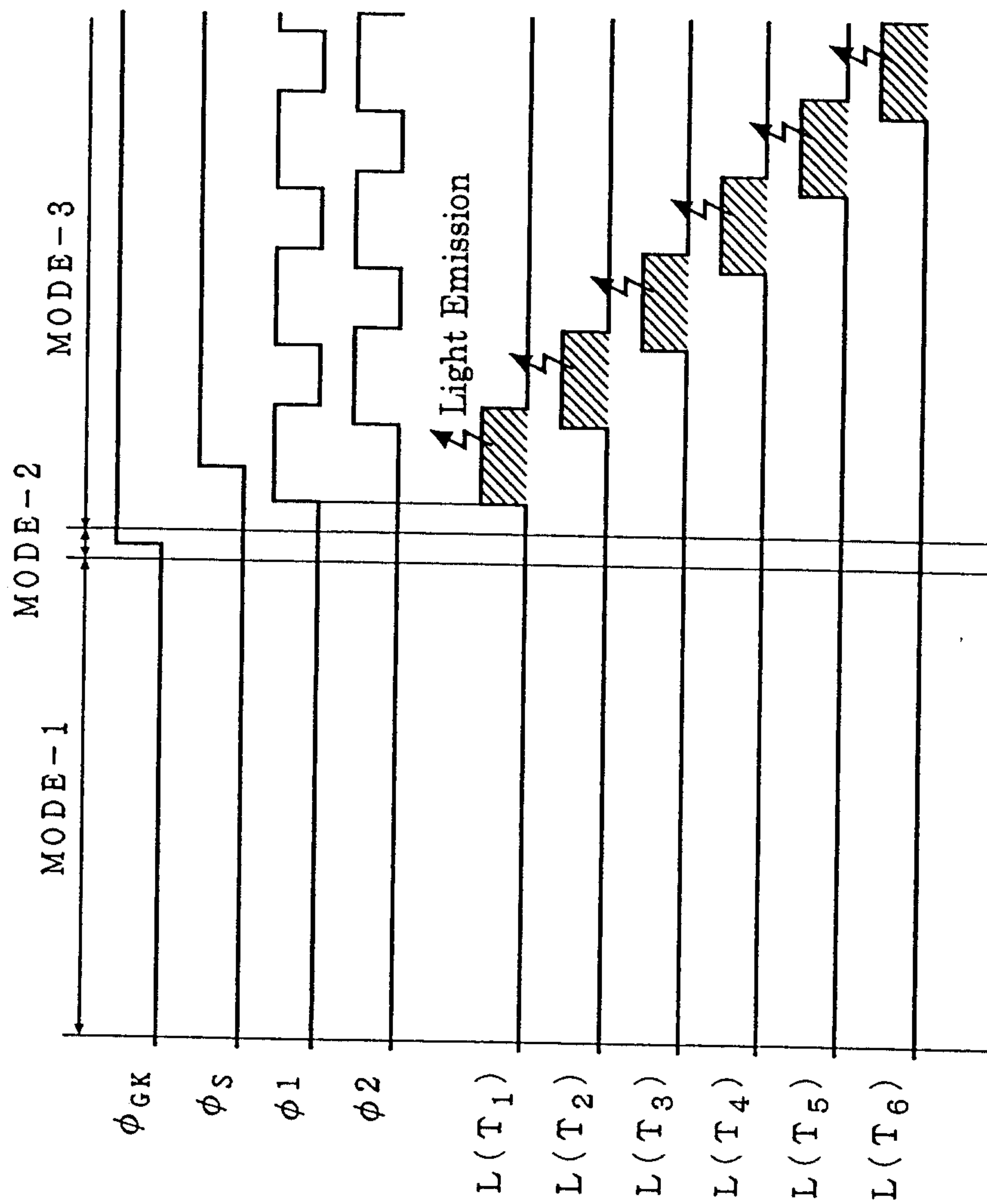


FIG. 2

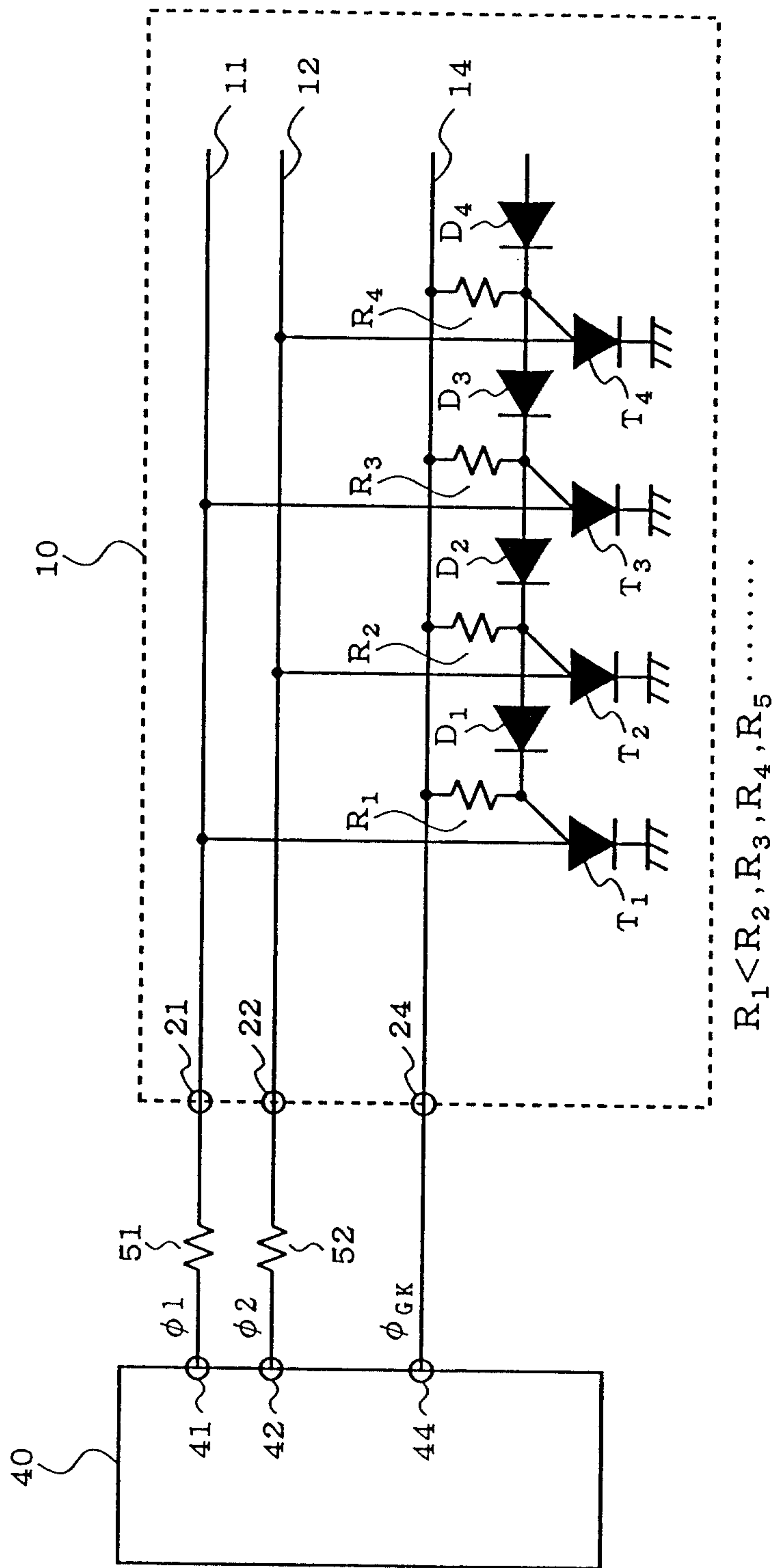
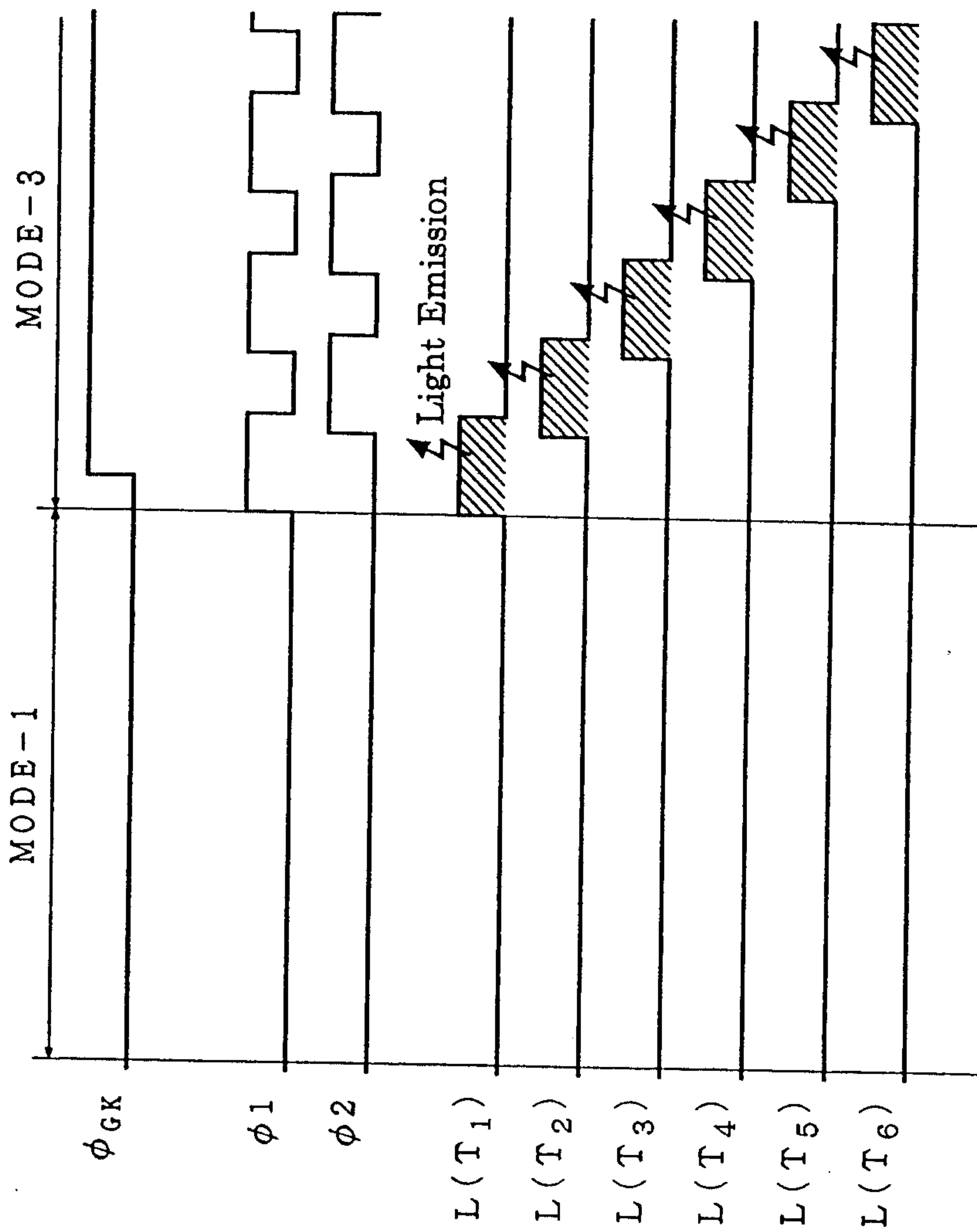


FIG. 3



F I G . 4

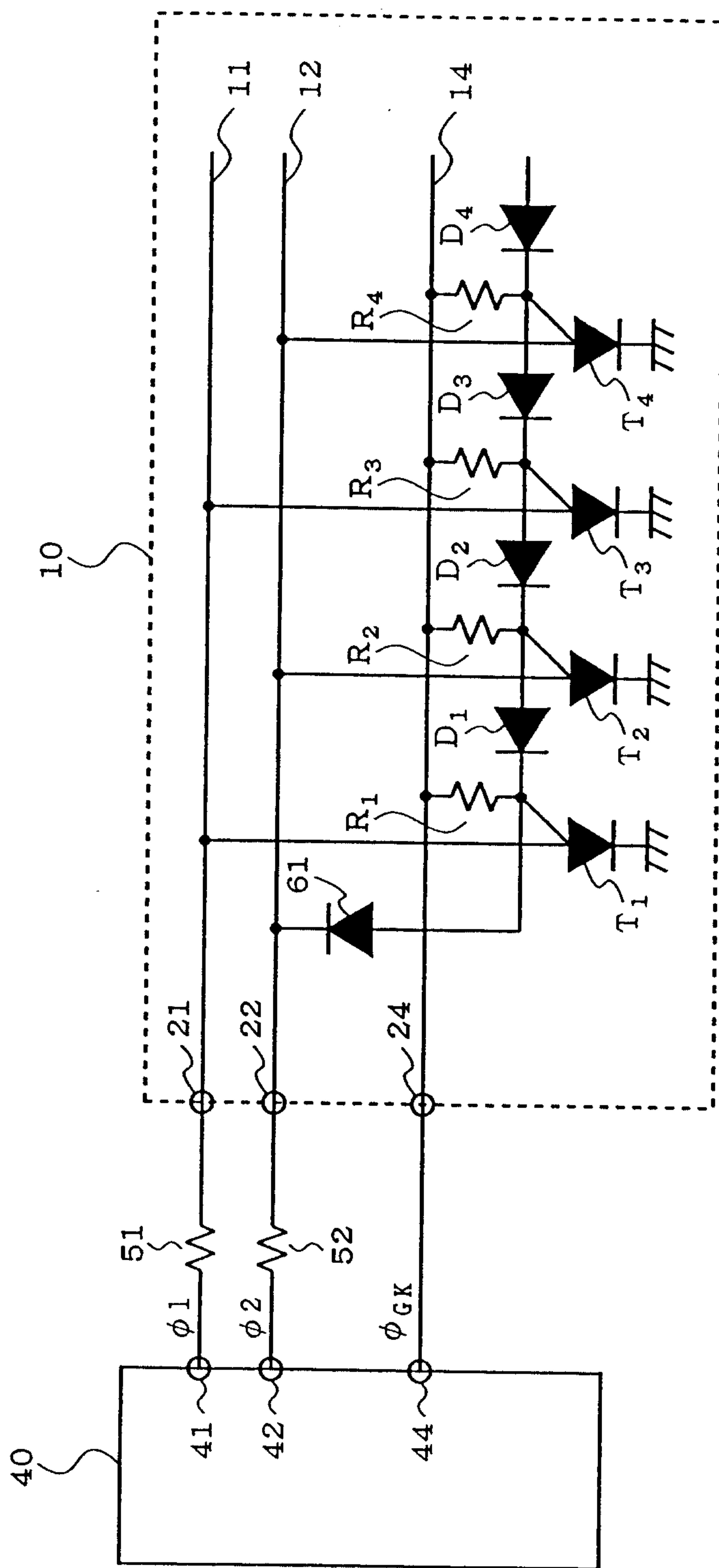


FIG. 5

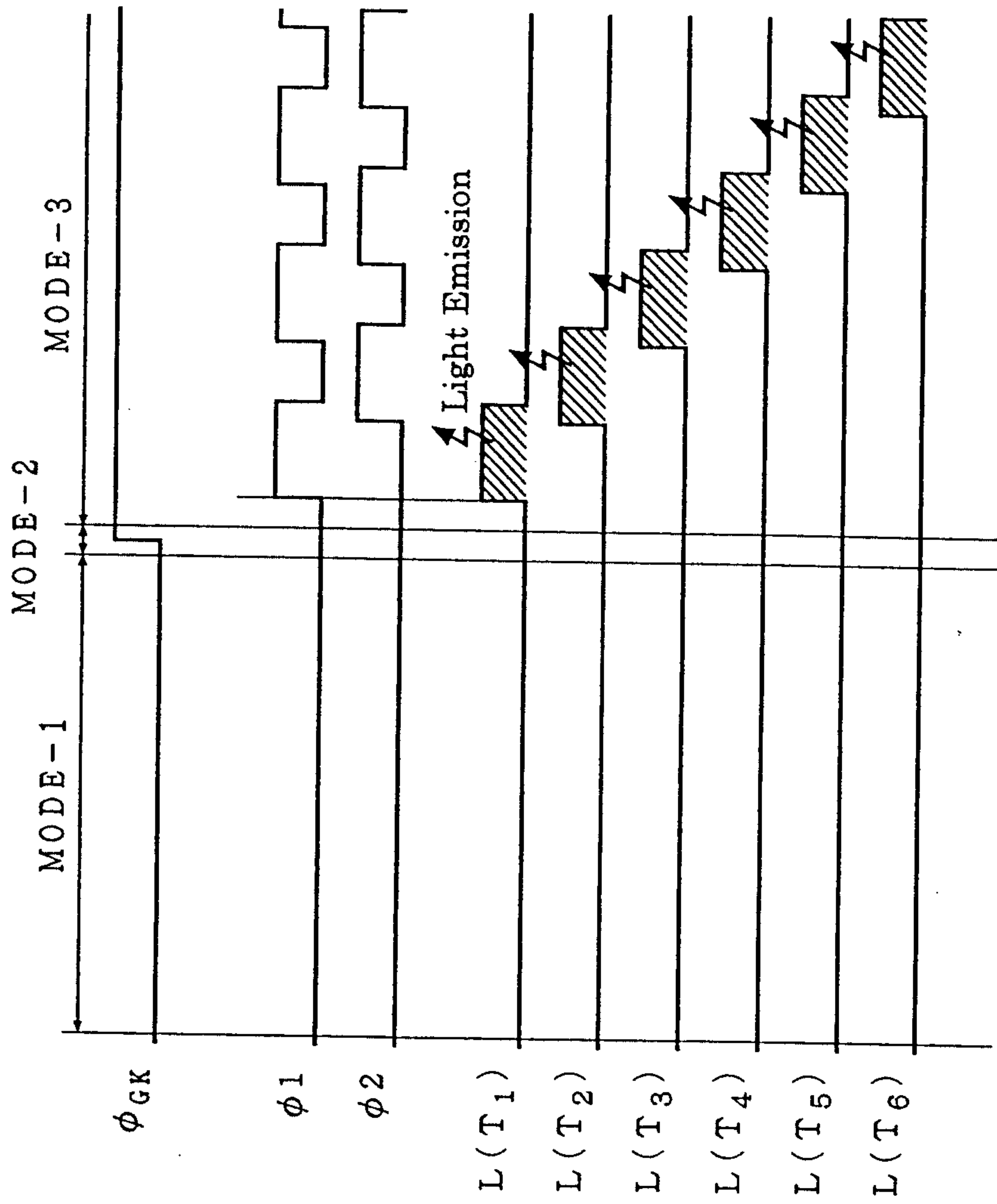


FIG. 6

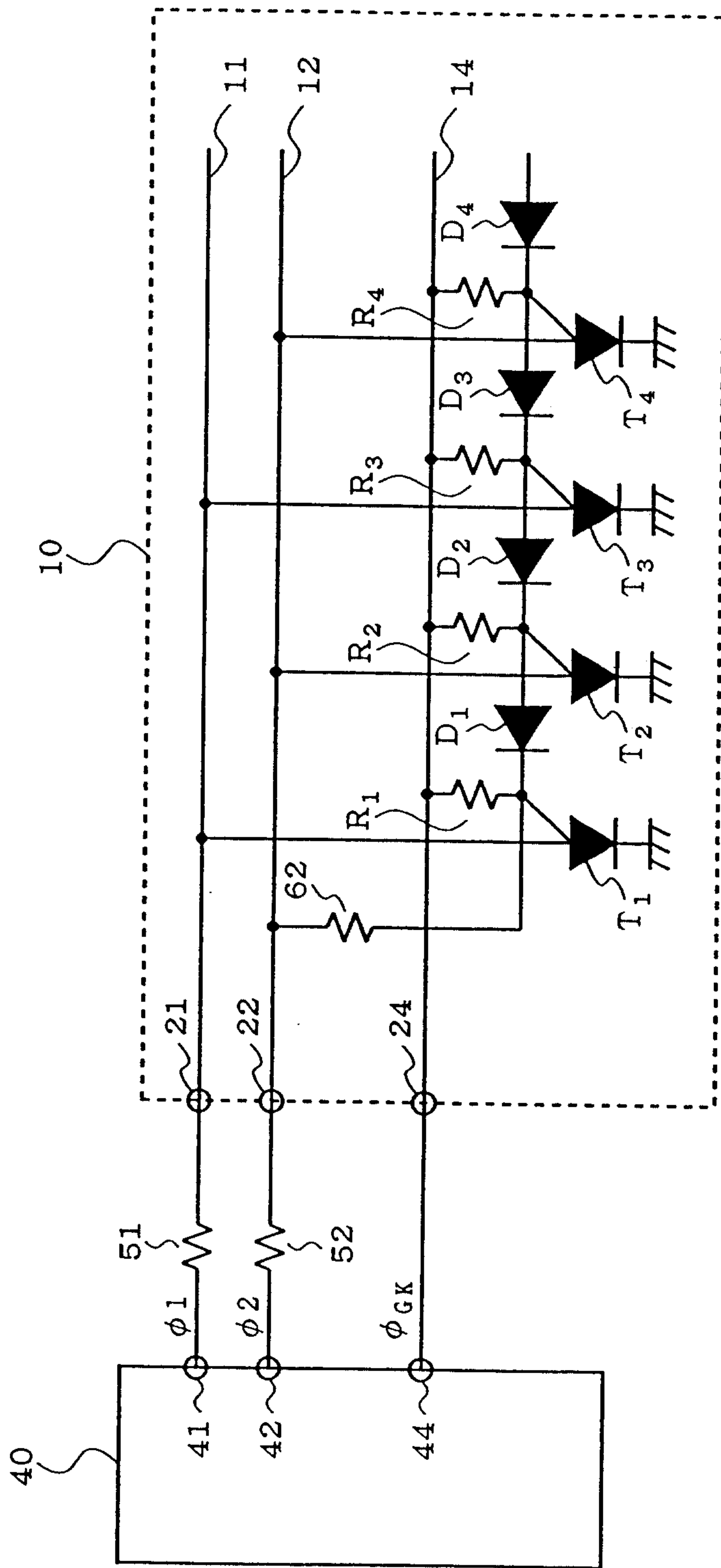


FIG. 7

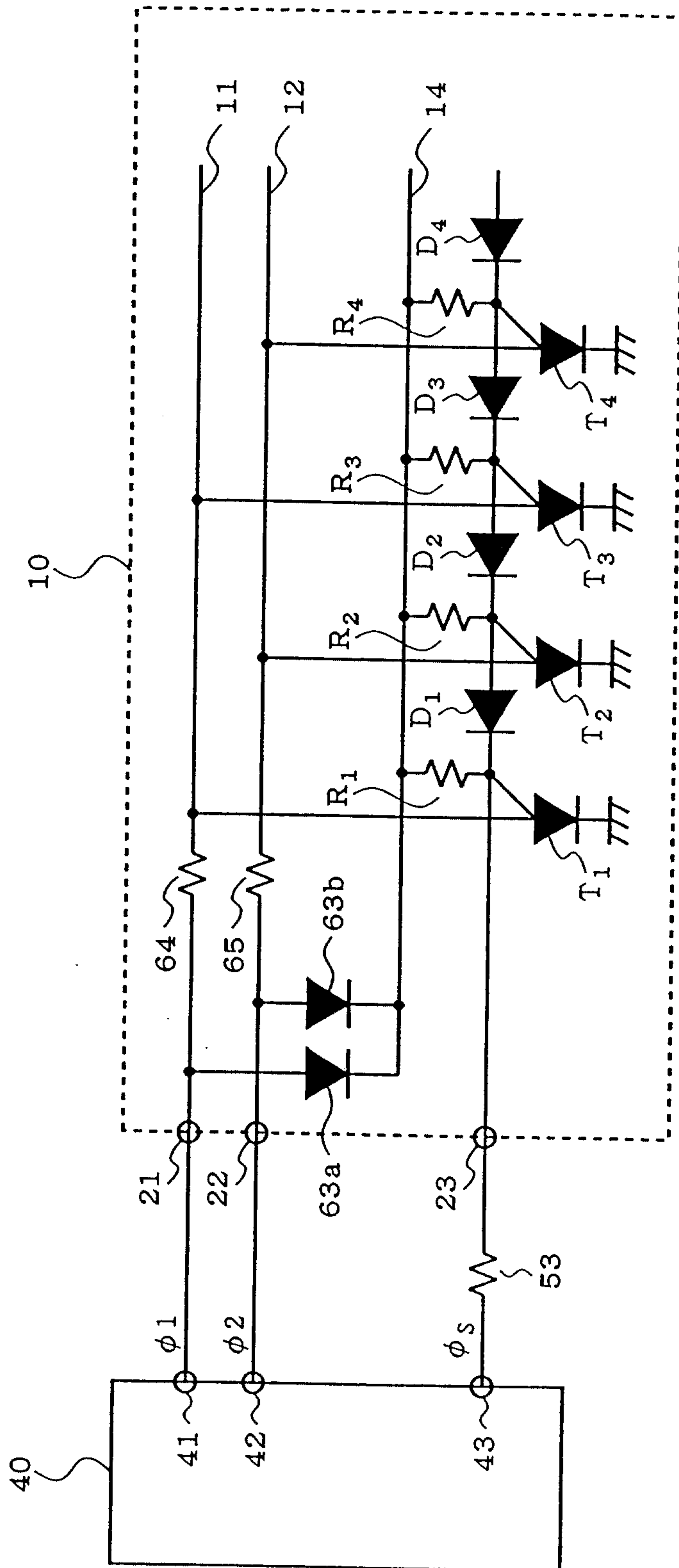
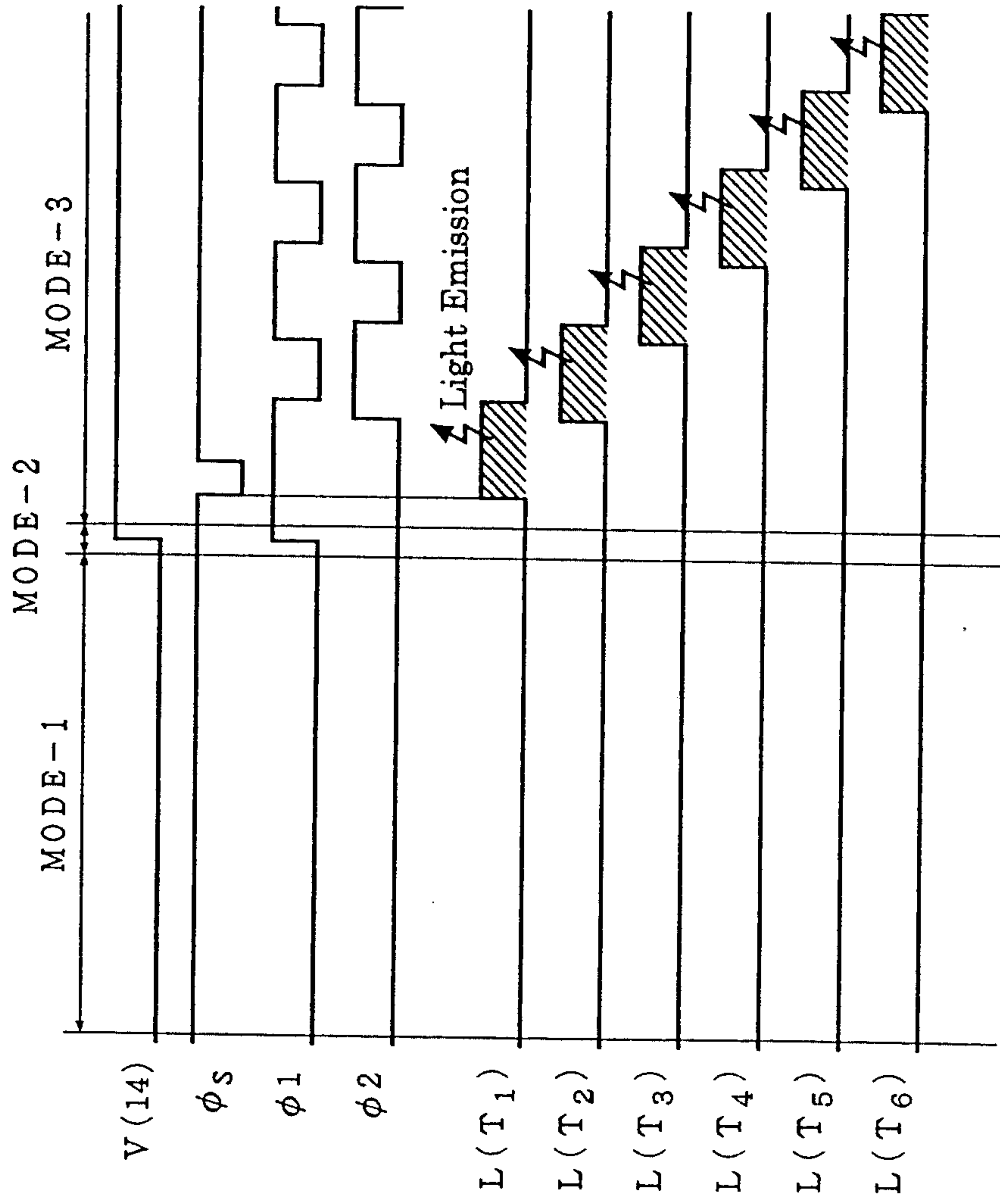


FIG. 8



F I G . 9

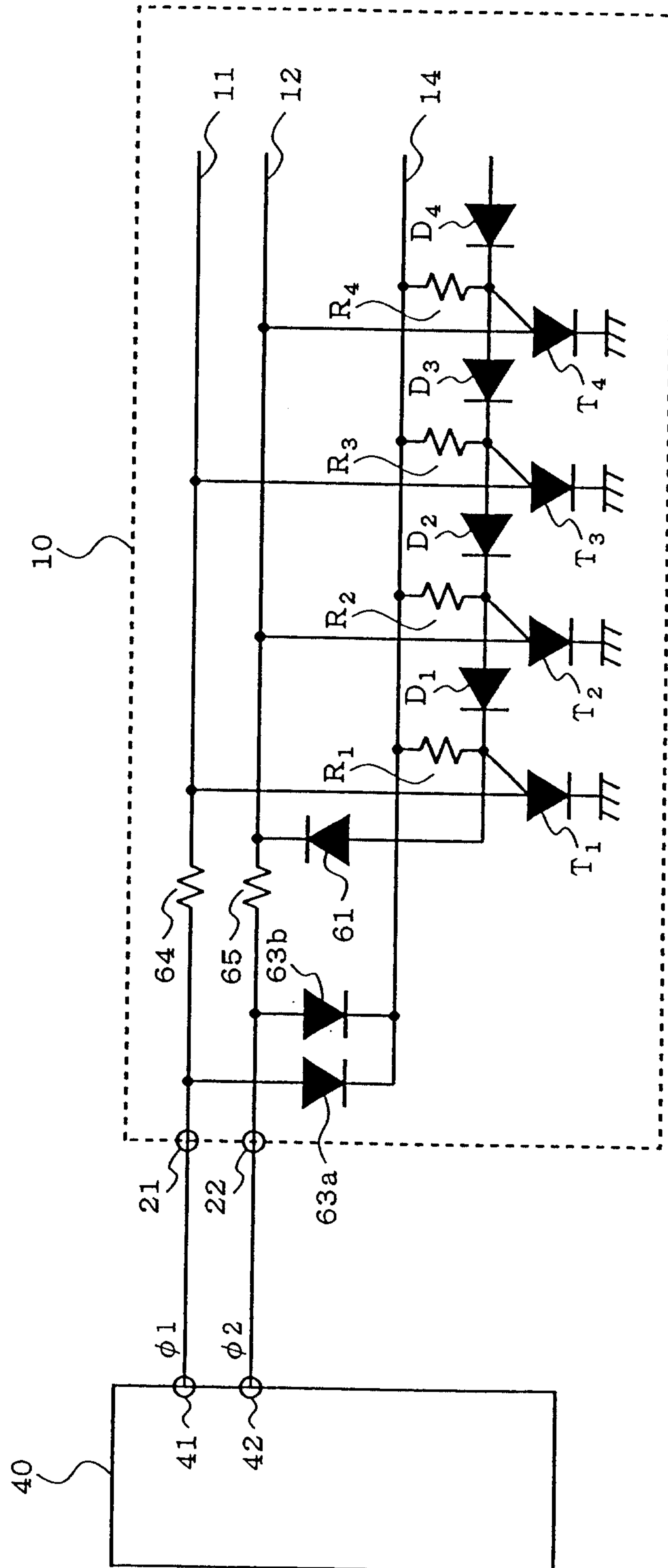


FIG. 10

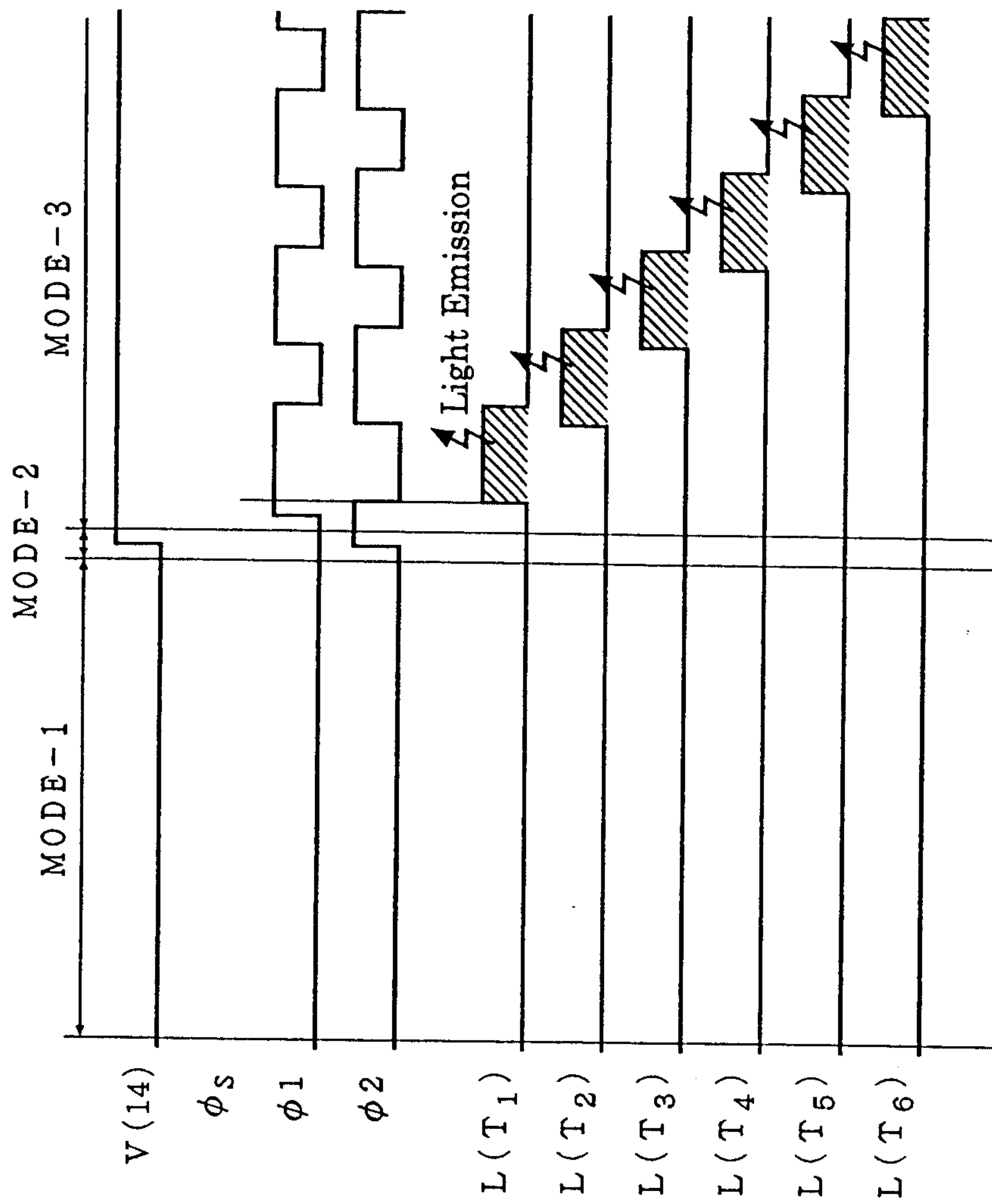


FIG. 11

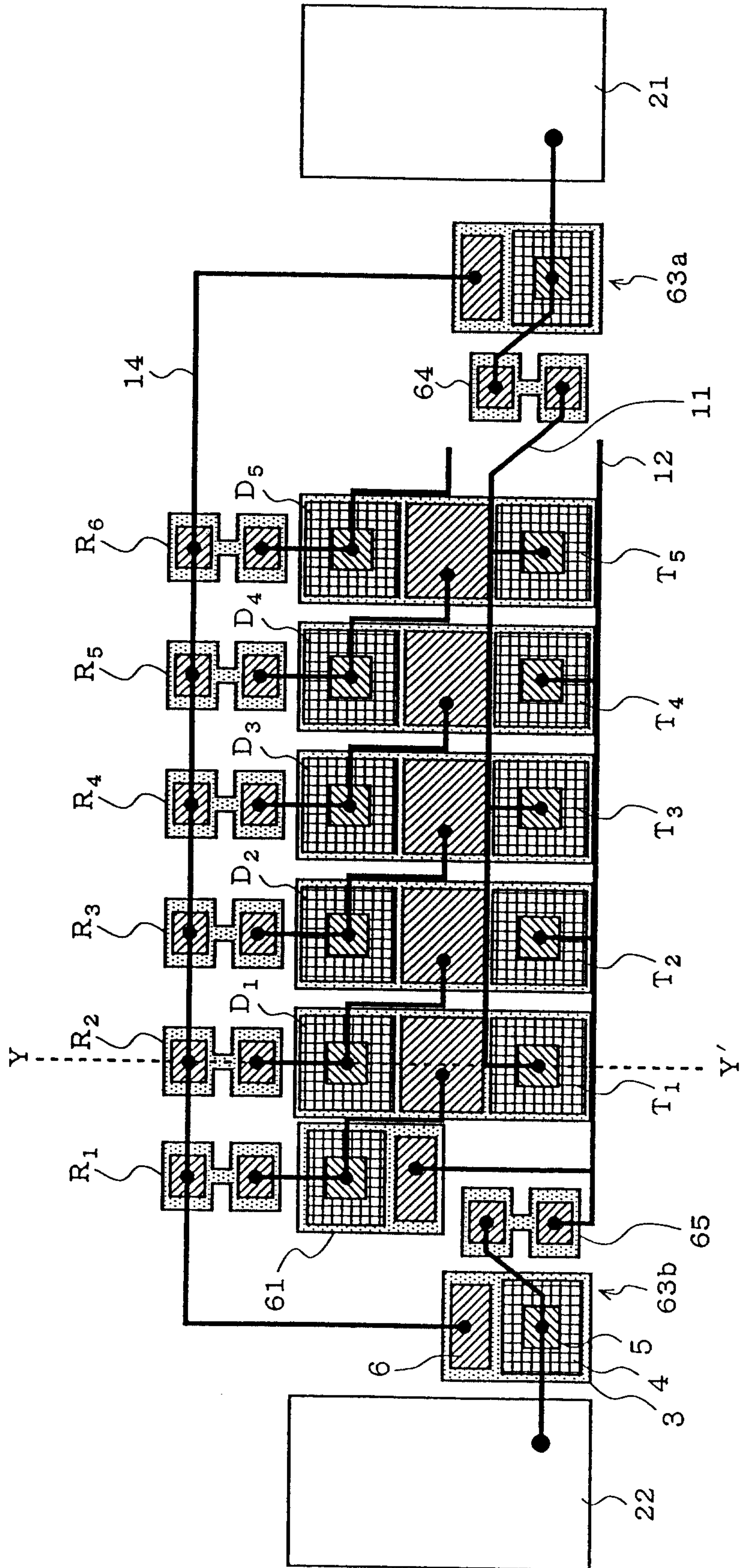


FIG. 12

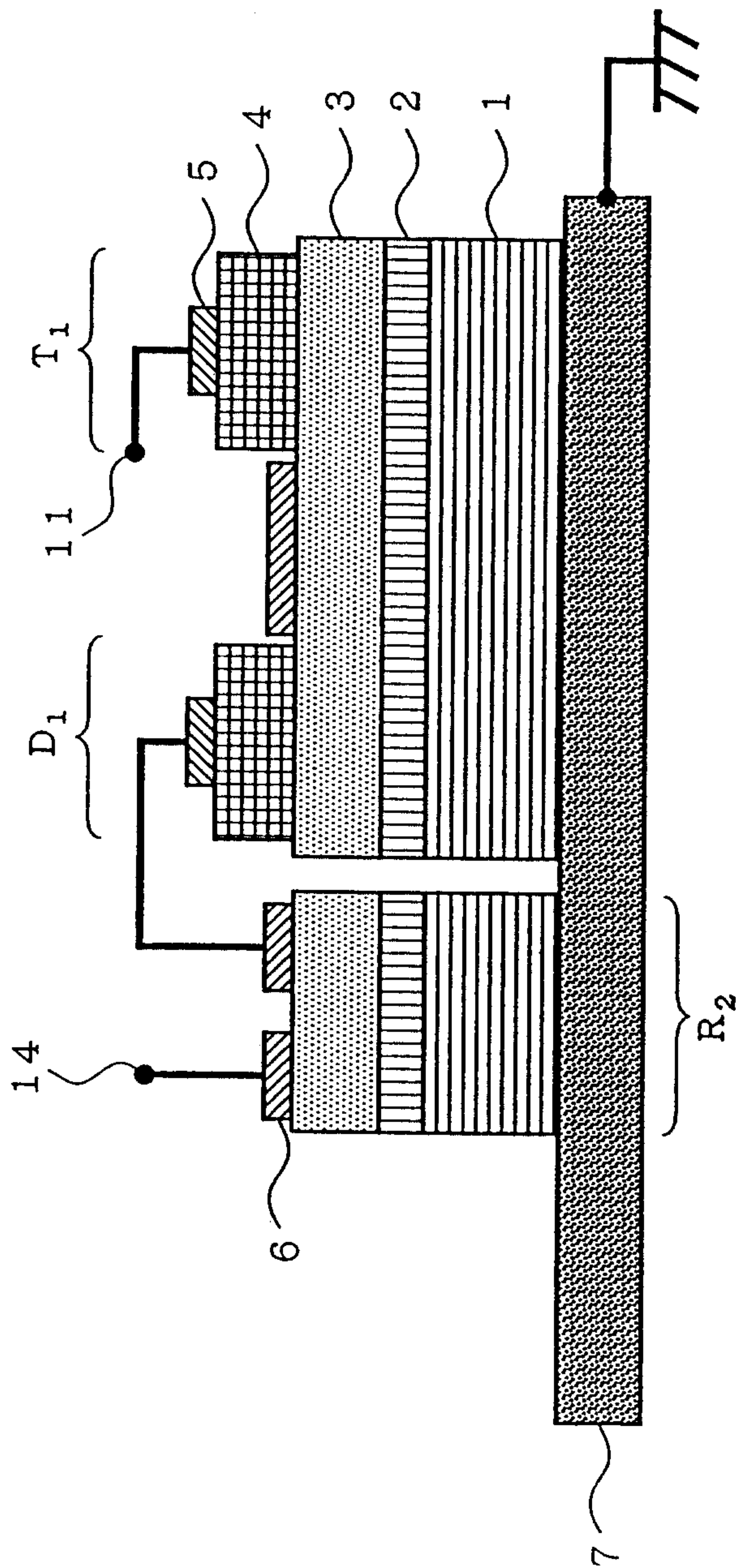


FIG. 13

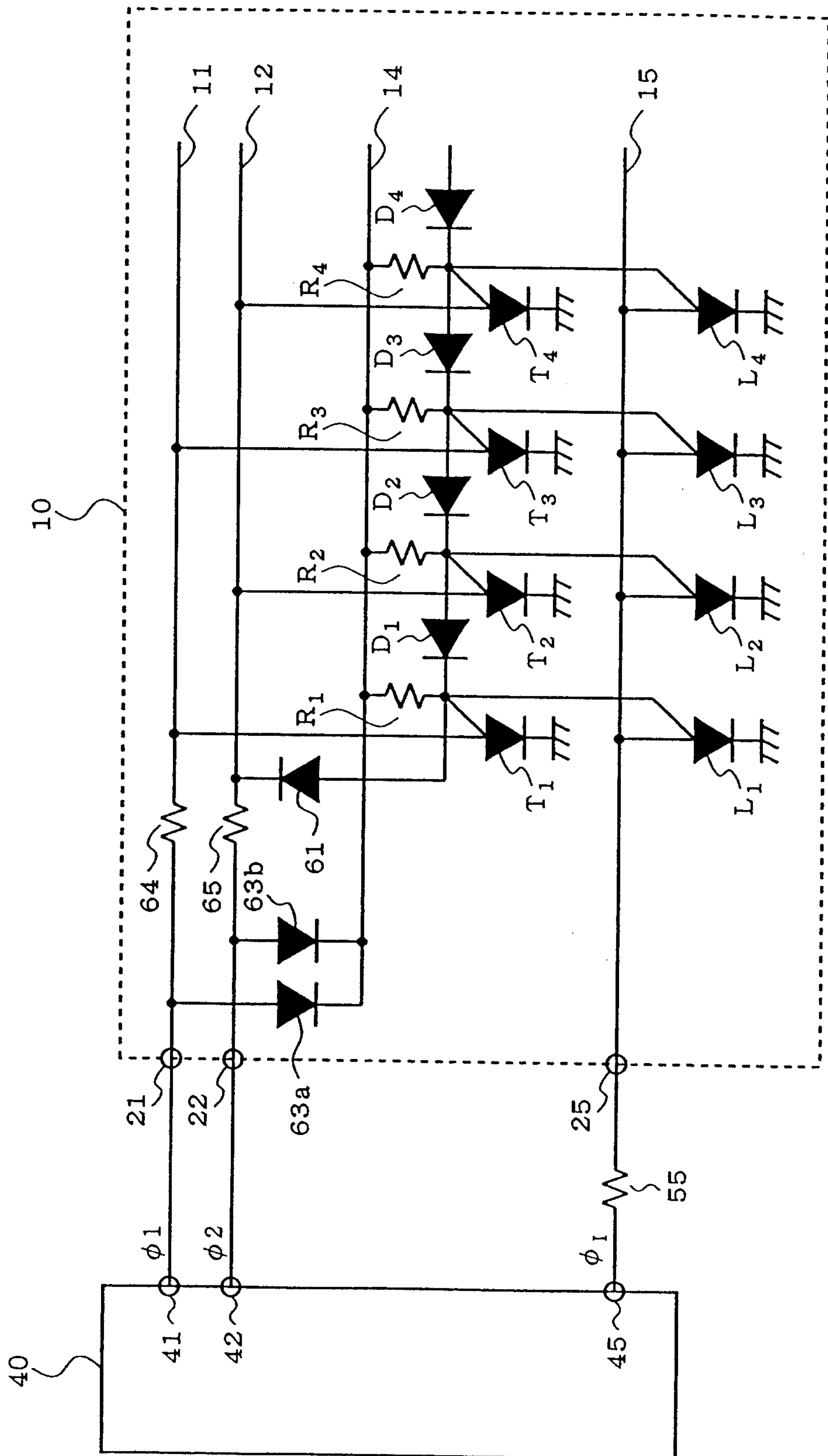


FIG. 14

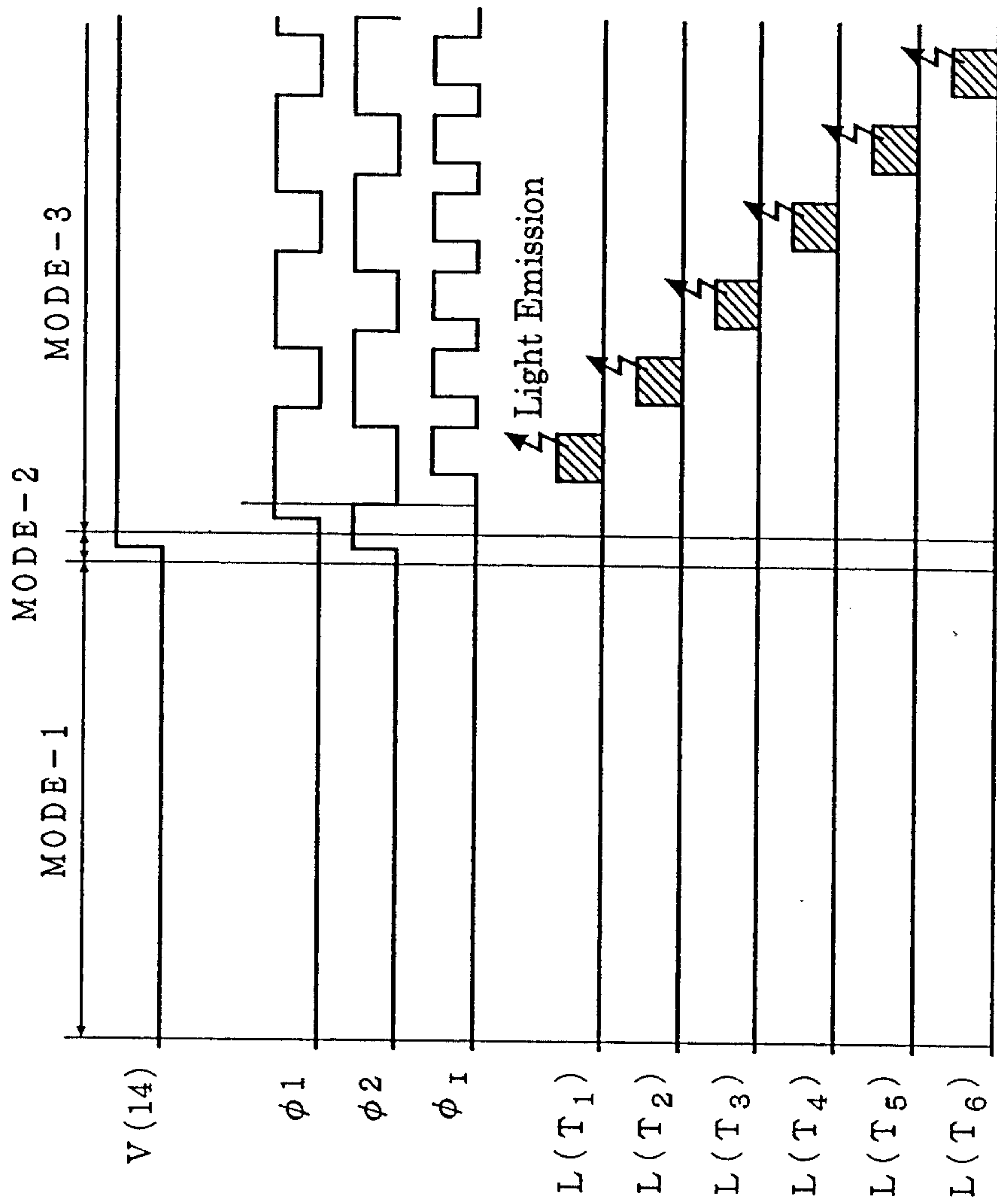


FIG. 15

