



US00D404807S

**United States Patent** [19]  
**Nepsund et al.**

[11] **Patent Number: Des. 404,807**  
[45] **Date of Patent: \*\*Jan. 26, 1999**

- [54] **FILTER SLEEVE**
- [75] Inventors: **Larry R. Nepsund**, Savage; **Kathleen A. Abrahamson**, Prior Lake; **Thomas A. Boeckermann**, Lakeville; **James K. Elfstrand**, Mounds View, all of Minn.
- [73] Assignee: **Donaldson Company, Inc.**, Minneapolis, Minn.
- [\*\*] Term: **14 Years**
- [21] Appl. No.: **56,894**
- [22] Filed: **Jul. 11, 1996**
- [51] **LOC (6) Cl.** ..... **23-04**
- [52] **U.S. Cl.** ..... **D23/365; D2/894**
- [58] **Field of Search** ..... **D23/365; D2/865, D2/894; 2/171, 181, DIG. 11**

[56] **References Cited**

**U.S. PATENT DOCUMENTS**

- 2,598,673 6/1952 Brixius .
- 2,918,138 12/1959 Lewis .
- 2,966,960 1/1961 Rochlin .
- 3,290,870 12/1966 Jensen .
- 3,298,149 1/1967 Soback .
- 3,384,241 5/1968 Nostrand .
- 3,386,583 6/1968 Merten .
- 3,417,870 12/1968 Bray .
- 3,488,928 1/1970 Tarala .
- 3,552,553 1/1971 Reading .
- 3,672,130 6/1972 Sullivan et al. .
- 3,680,659 8/1972 Kasten .
- 3,802,160 4/1974 Foltz .
- 3,822,531 7/1974 Wisnewski et al. .
- 3,878,014 4/1975 Melead .
- 3,918,945 11/1975 Holloway et al. .
- 4,012,211 3/1977 Goetz .
- 4,074,985 2/1978 Willas .
- 4,086,070 4/1978 Argo et al. .

(List continued on next page.)

**FOREIGN PATENT DOCUMENTS**

- 0 001 407 4/1979 European Pat. Off. .
- 0 083 789 7/1983 European Pat. Off. .

- 0 208 515 7/1986 European Pat. Off. .
- 0 212 082 3/1987 European Pat. Off. .
- 2 380 058 2/1978 France .
- 35 13 062 A1 10/1986 Germany .

(List continued on next page.)

**OTHER PUBLICATIONS**

“Nonwovens in Filtration/Separation”, paper presented by Clarke E. Rodman and Edward C. Homonoff, Allied Aftermarket Division, Allied Signal Corporation, Nonwoven Fabrics Forum, Jun. 21–23, 1988, Clemson University, Clemson, S.C.

U.S. Patent Application Ser. No. 07/560,723, entitled “Filter Insert for Air Filters Used in a Dust-Filled Environment”.

*Primary Examiner*—Lisa Lichtenstein

*Attorney, Agent, or Firm*—Merchant, Gould, Smith, Edell, Welter & Schmidt, P.A.

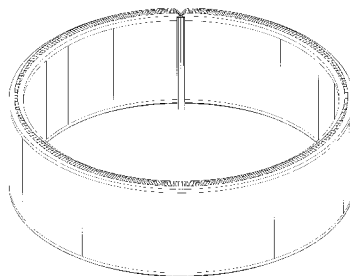
[57] **CLAIM**

The ornamental design for a filter sleeve, as shown and described.

**DESCRIPTION**

FIG. 1 is a perspective view of a filter sleeve;  
 FIG. 2 is a top plan view of FIG. 1, the bottom view being a mirror image;  
 FIG. 3 is a front side view of FIG. 1;  
 FIG. 4 is a back side view of FIG. 1;  
 FIG. 5 is a perspective view of a second embodiment of a filter sleeve; different surfaces of the filter sleeve being indicated to contrast in appearance;  
 FIG. 6 is a top plan view of FIG. 5, the bottom plan view being a mirror image thereof;  
 FIG. 7 is a front side view of FIG. 5;  
 FIG. 8 is a back side view of FIG. 5;  
 FIG. 9 is a perspective view of a third embodiment of a filter sleeve, an outer surface of the sleeve being lined to indicate blue color;  
 FIG. 10 is a top plan view of FIG. 9, the bottom plan view being a mirror image thereof;  
 FIG. 11 is a front side view of FIG. 9; and,  
 FIG. 12 is a back side view of FIG. 9.

**1 Claim, 9 Drawing Sheets**





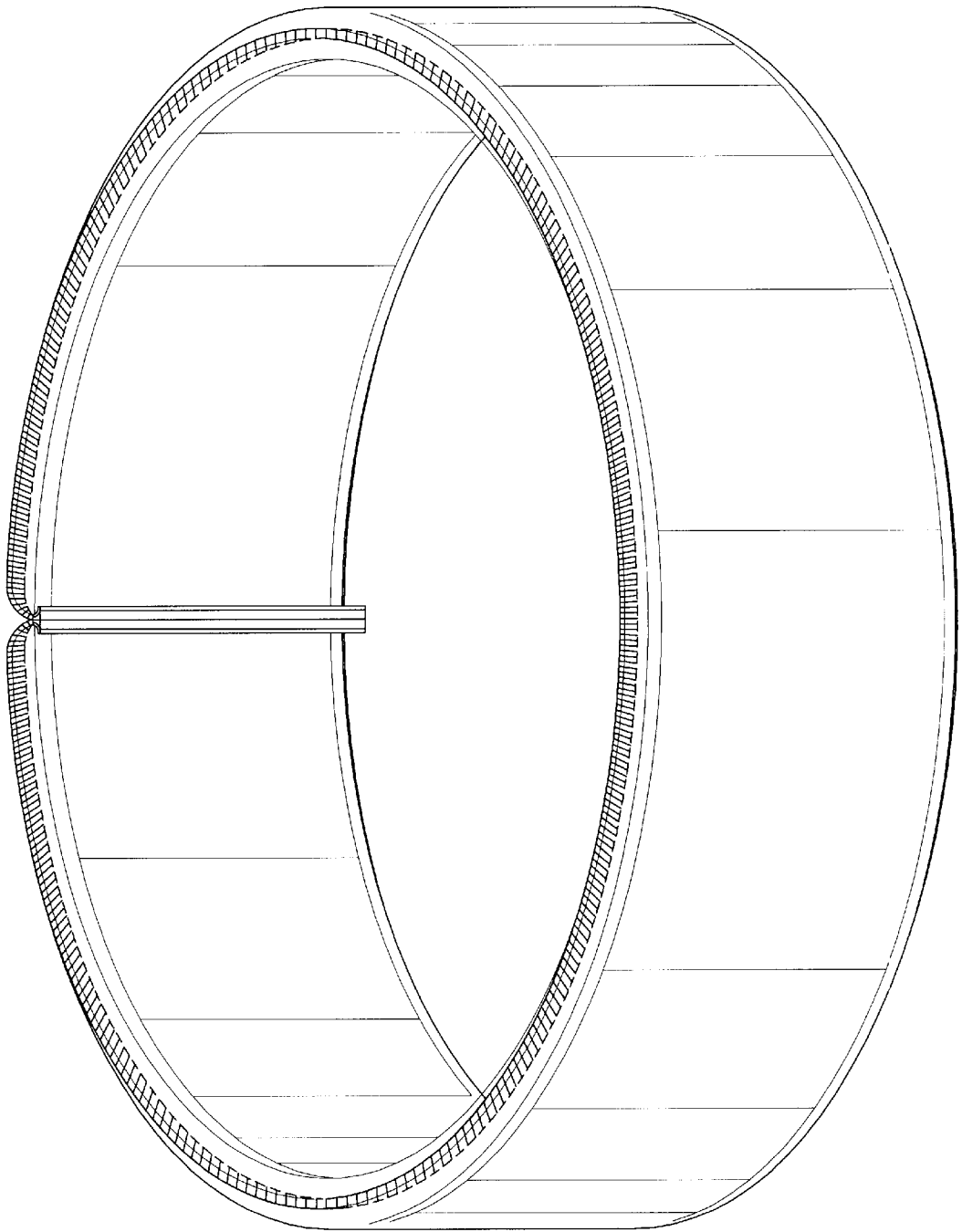


FIG. 1

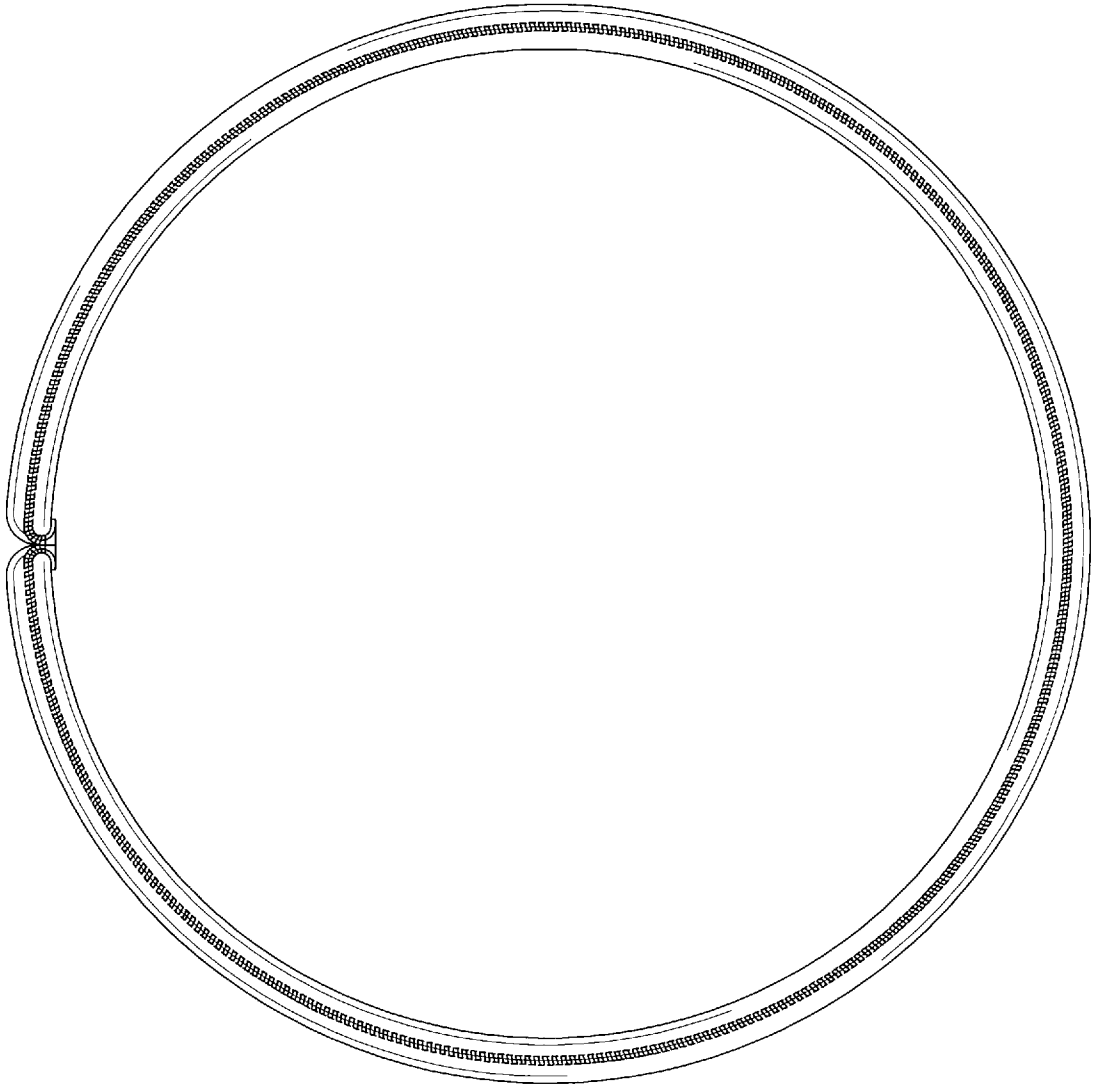


FIG. 2

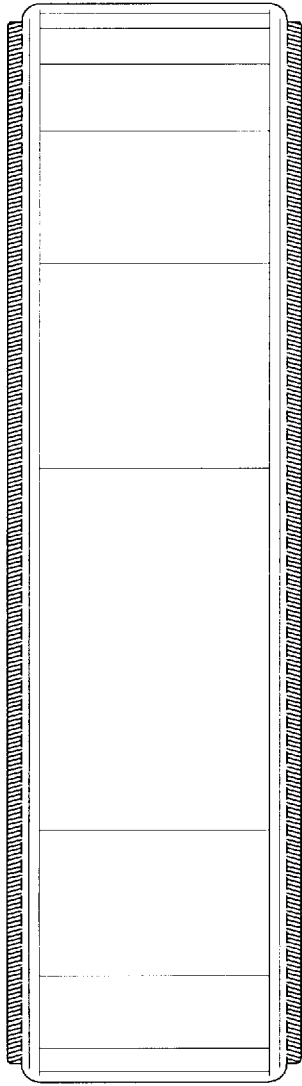


FIG. 3

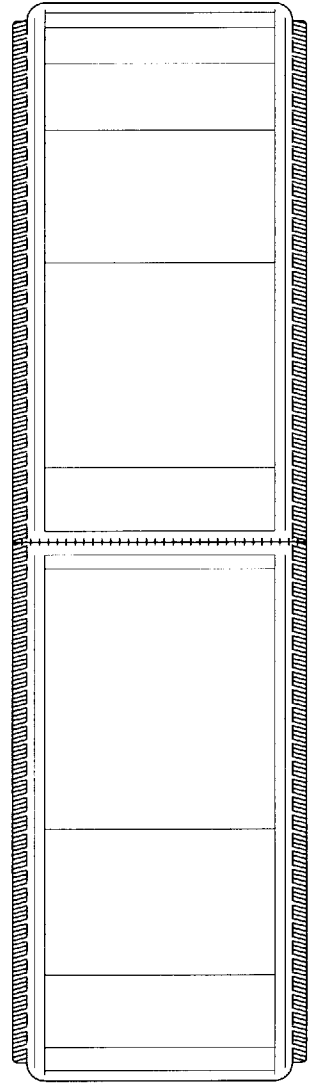


FIG. 4

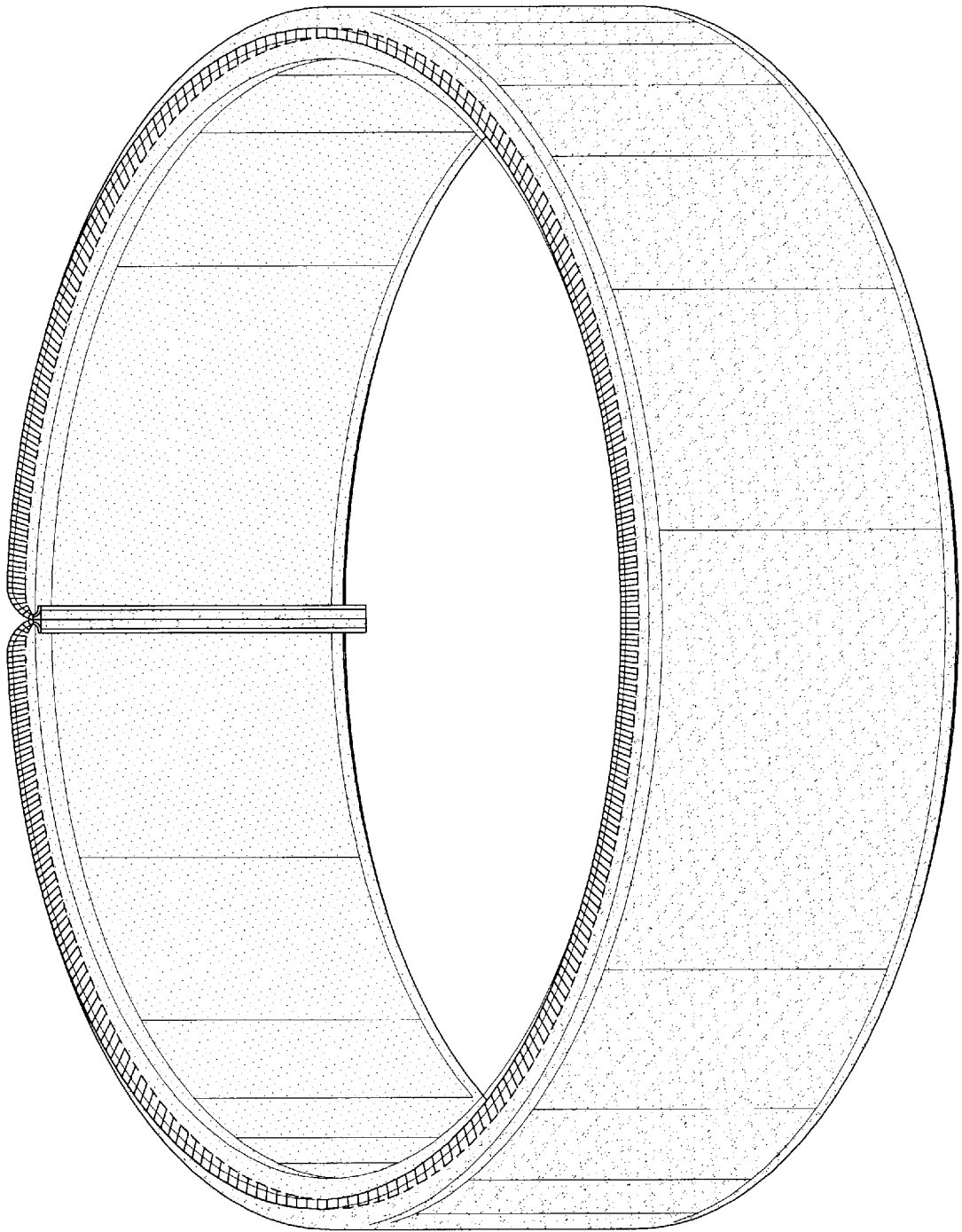


FIG. 5

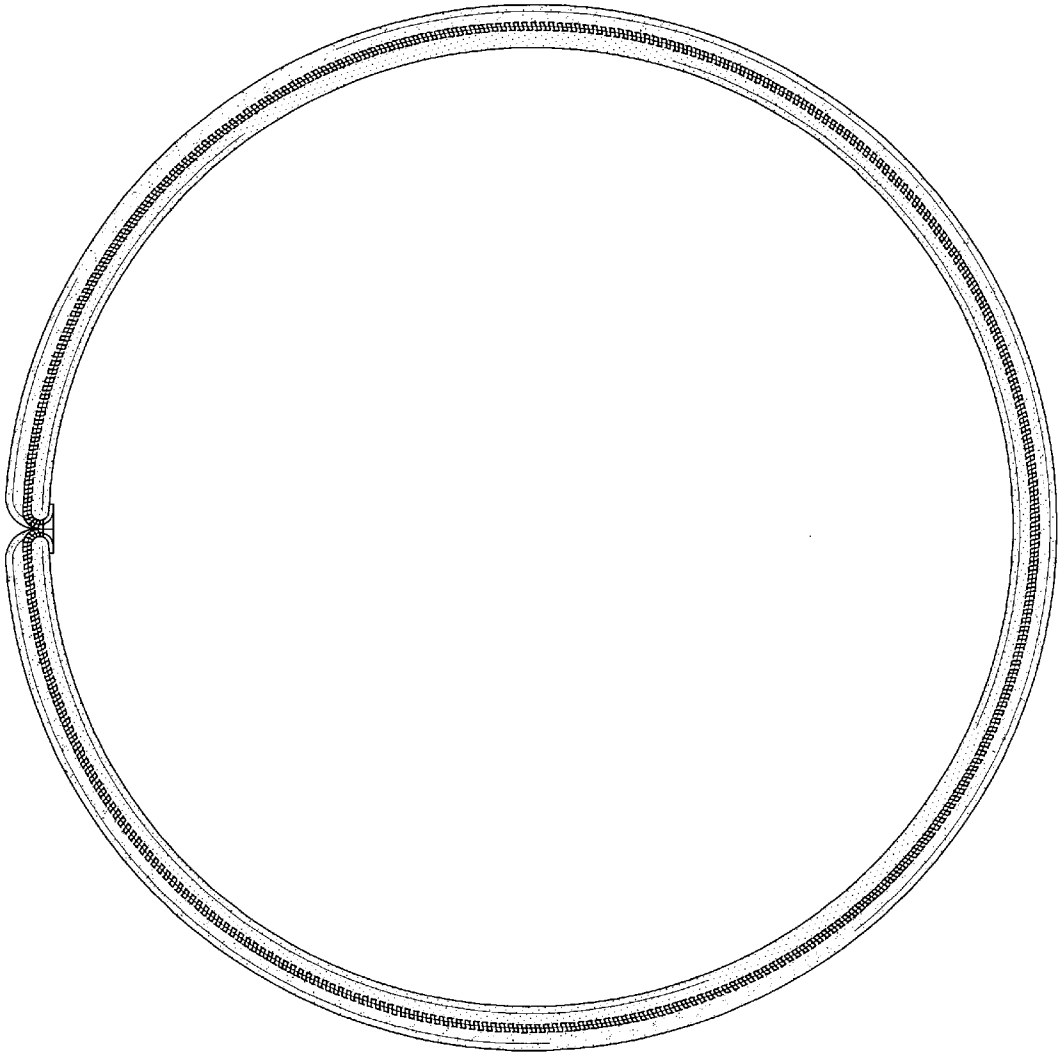


FIG. 6

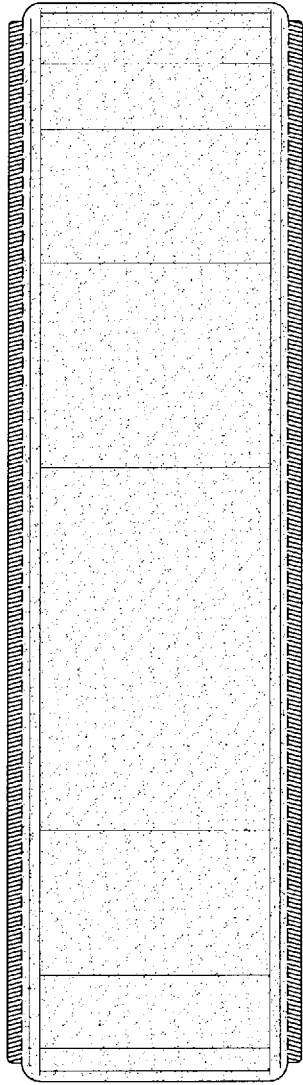


FIG. 7

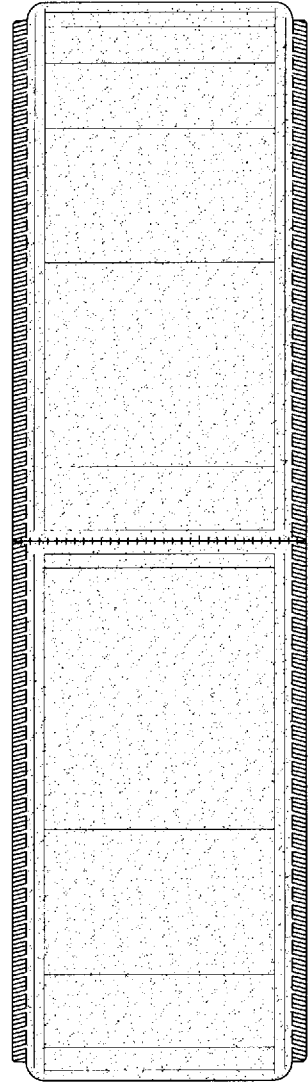


FIG. 8

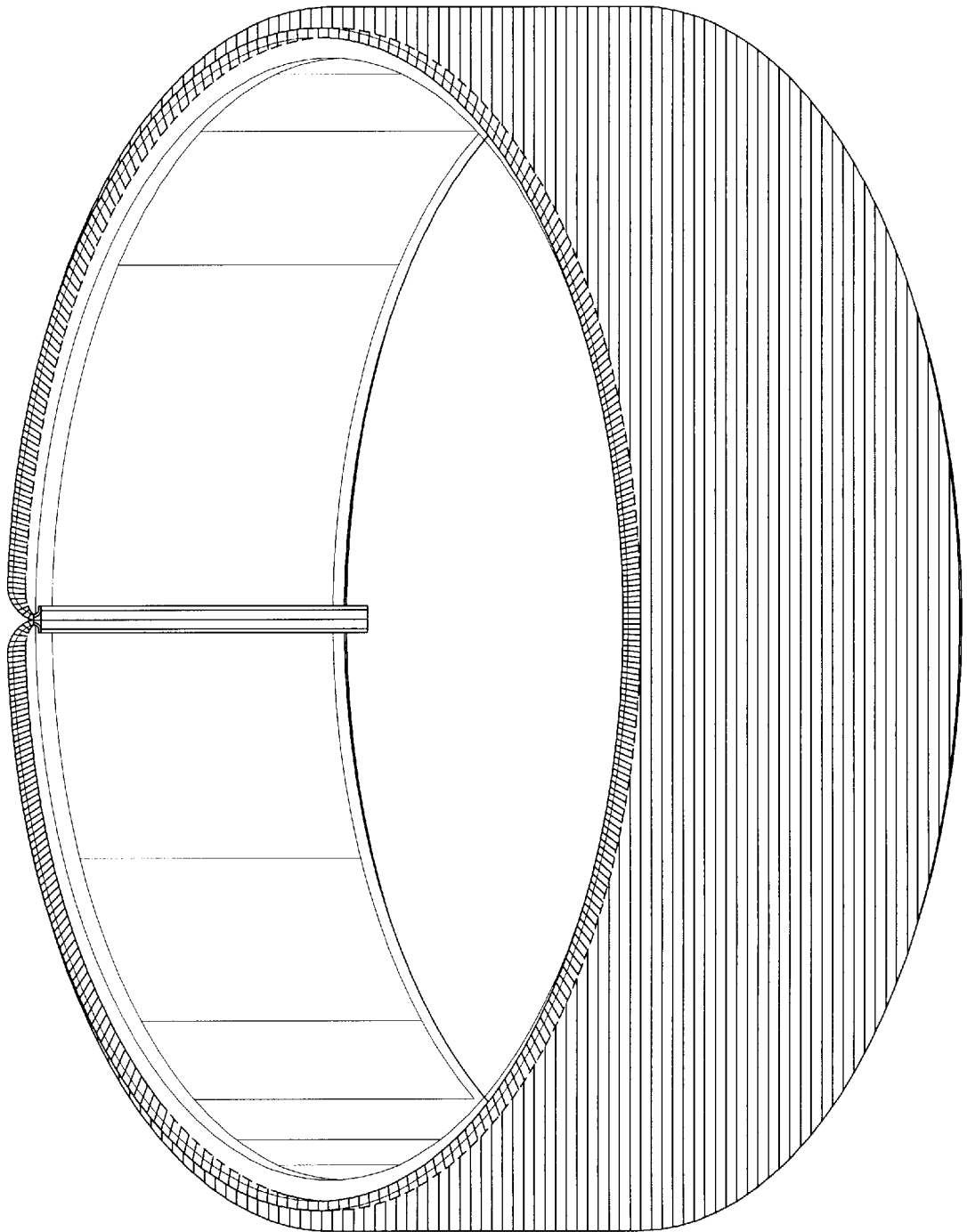


FIG. 9

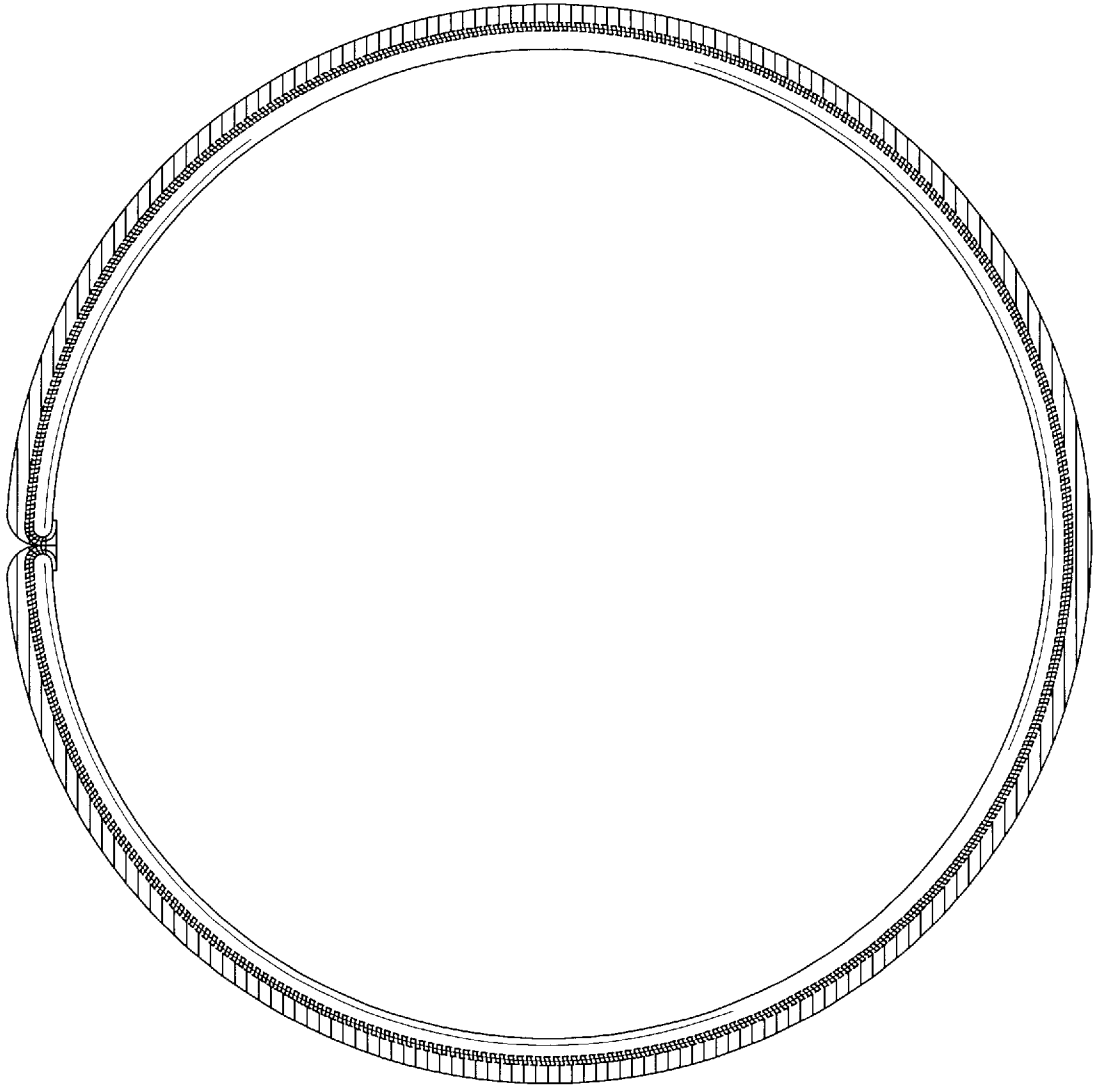


FIG. 10

FIG. 11

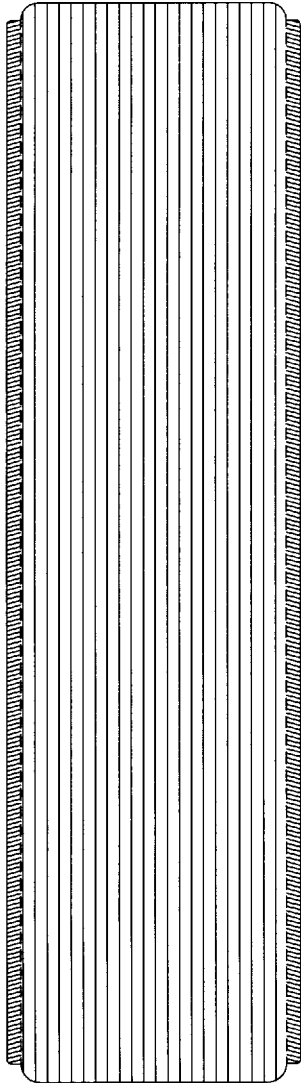


FIG. 12

