



US00D566388S

(12) **United States Design Patent**
Nevins

(10) **Patent No.:** **US D566,388 S**

(45) **Date of Patent:** **** Apr. 15, 2008**

(54) **COSMETIC CONTAINER**

(75) Inventor: **James Nevins**, New York, NY (US)

(73) Assignee: **ELC Management LLC**, New York, NY (US)

(**) Term: **14 Years**

(21) Appl. No.: **29/284,991**

(22) Filed: **Sep. 19, 2007**

(51) **LOC (8) Cl.** **03-01**

(52) **U.S. Cl.** **D3/264; D3/263**

(58) **Field of Classification Search** D9/737-747,
D9/763, 772, 781, 684, 686, 687, 680, 690,
D9/694, 516, 529, 532, 533, 535, 536, 537,
D9/539, 540, 542, 543, 549, 562, 572, 573,
D9/574, 575, 434, 435, 906; 215/6, 10, 381-385,
215/396, 398; D28/61, 66, 73, 76, 78, 79,
D28/80, 82; D3/263, 264, 267; 206/5.1,
206/344; 224/909; 134/201, 901

See application file for complete search history.

(56) **References Cited**

U.S. PATENT DOCUMENTS

D52,821 S *	12/1918	Gallaher	D9/740
1,290,965 A	1/1919	Gallaher		
D103,887 S *	3/1937	Conner	D9/740
2,948,387 A	8/1960	Fishman		
3,326,258 A	6/1967	Singleton		
D208,166 S *	7/1967	Hueber	D3/264
D227,551 S *	7/1973	Crutchfield	D9/740
D275,367 S *	9/1984	Holewinski	D24/226
D275,861 S *	10/1984	Barber	D15/138
D285,744 S *	9/1986	Vinot	D3/264
D305,832 S *	2/1990	Pence	D3/270
5,127,126 A	7/1992	Tanaka et al.		
5,224,593 A *	7/1993	Bennett	206/5.1
5,280,834 A *	1/1994	Berkley	206/5.1
D354,678 S *	1/1995	Dalbo	D9/740
5,415,275 A *	5/1995	Girumont	206/5.1
6,056,114 A	5/2000	Muller-Lierheim		
6,086,823 A	7/2000	Bourset		

D431,880 S *	10/2000	Finocchiaro et al.	D28/76
D437,659 S *	2/2001	Henry	D28/20
6,364,098 B2	4/2002	Yavitz		
D471,356 S *	3/2003	Eaton	D3/264
D498,590 S *	11/2004	Borovsky	D3/264
6,868,963 B2	3/2005	Borovsky		
D551,448 S *	9/2007	Stull	D3/264
2002/0069896 A1 *	6/2002	Pankow	134/6
2005/0022846 A1 *	2/2005	Graham	134/22.1

FOREIGN PATENT DOCUMENTS

EP 0049767 4/1982

OTHER PUBLICATIONS

http://www.bizrate.com/visiocare/products_keyword--lens+case+or+contact+case+or+contact+lens+case..., BizRate Shopping Search, Health & Beauty Supplies, Jul. 19, 2007 (1-10 pages).

* cited by examiner

Primary Examiner—Stella M. Reid

Assistant Examiner—Elizabeth J Oswecki

(74) *Attorney, Agent, or Firm*—Cynthia R. Miller

(57) **CLAIM**

The ornamental design for a cosmetic container, substantially as shown and described.

DESCRIPTION

FIG. 1 is a top, front, right side perspective view of a cosmetic container, Showing my new design;

FIG. 2 is a bottom, front, right side perspective view thereof;

FIG. 3 is a front elevational view thereof, a rear elevational view being a mirror image thereof;

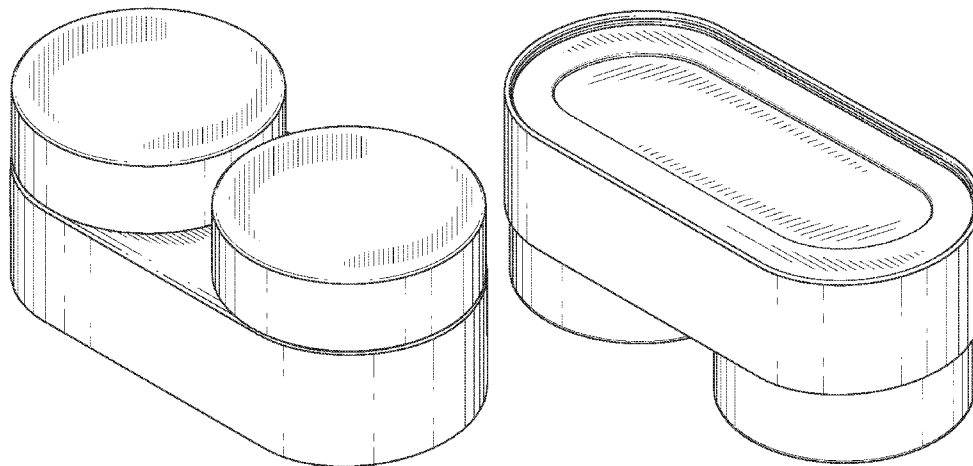
FIG. 4 is a right side elevational view thereof, a left side elevational view being a mirror image thereof;

FIG. 5 is a top plan view thereof;

FIG. 6 is a bottom plan view thereof; and,

FIG. 7 is an exploded top, front, right side perspective view thereof.

1 Claim, 4 Drawing Sheets



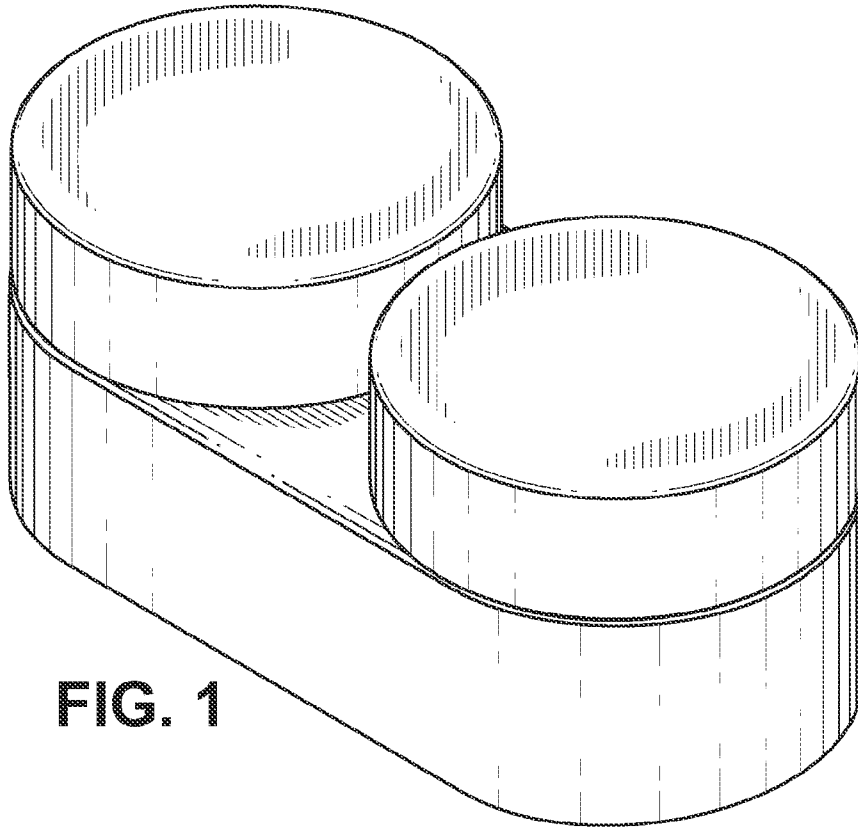


FIG. 1

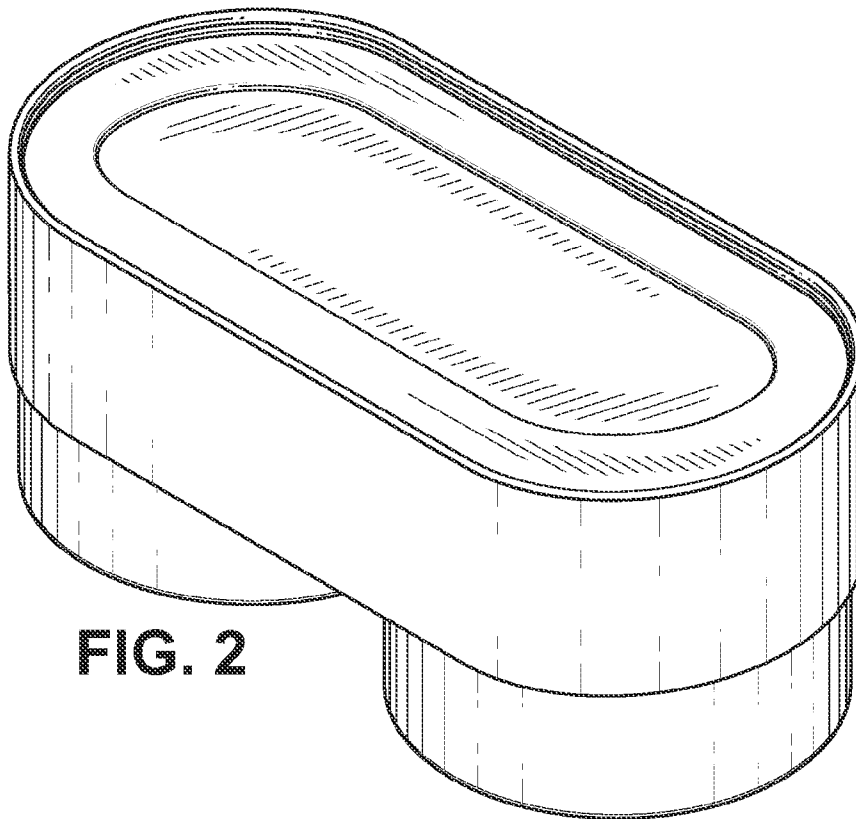


FIG. 2

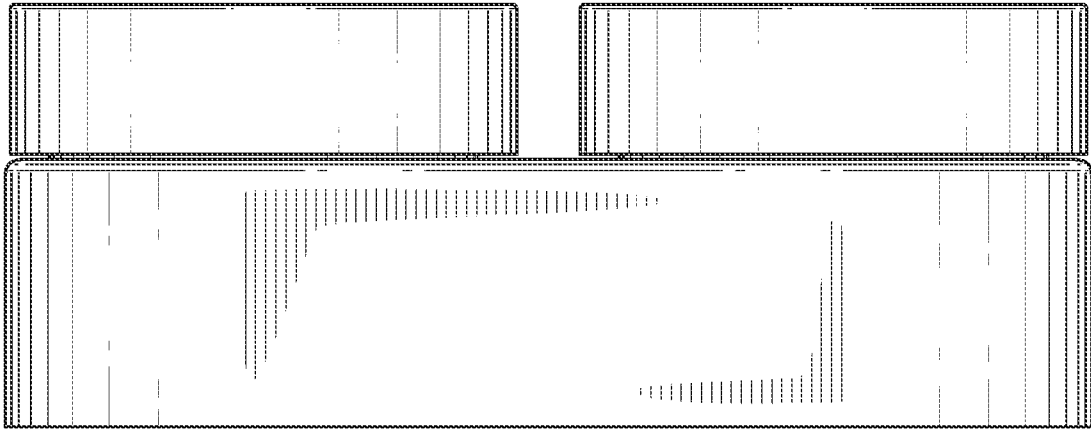


FIG. 3

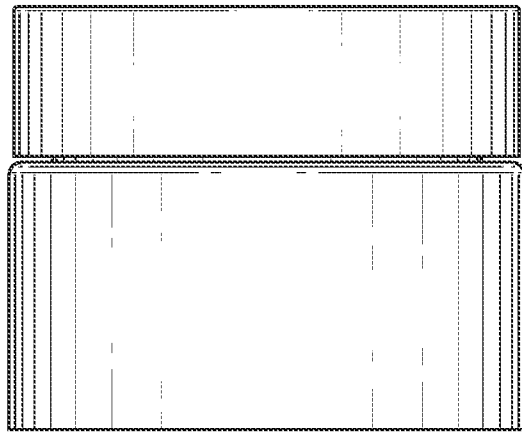


FIG. 4

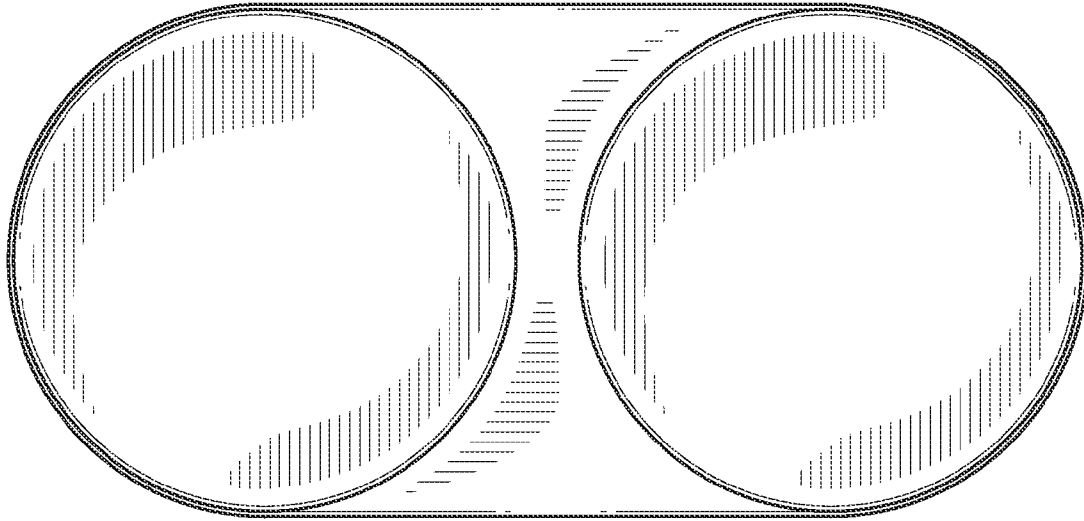


FIG. 5

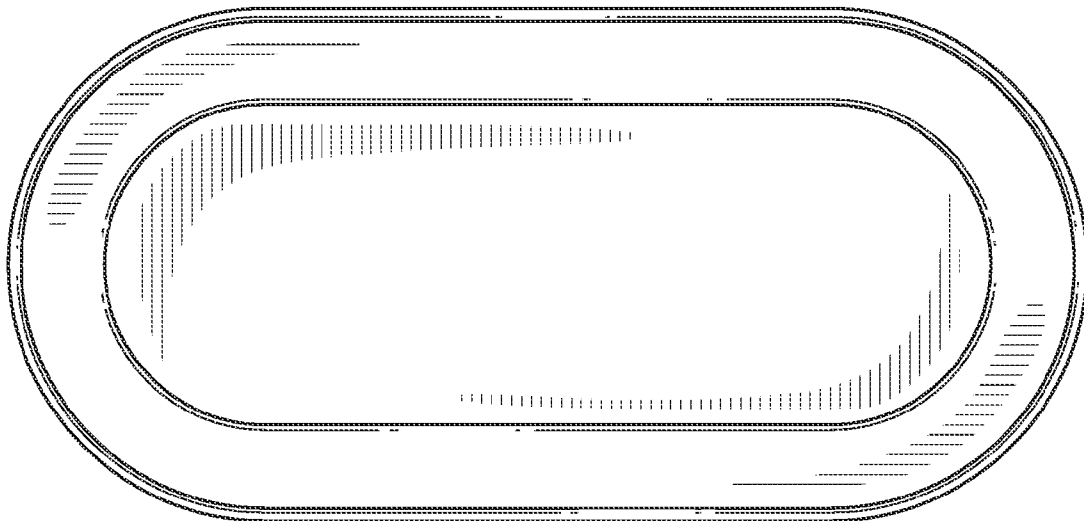


FIG. 6

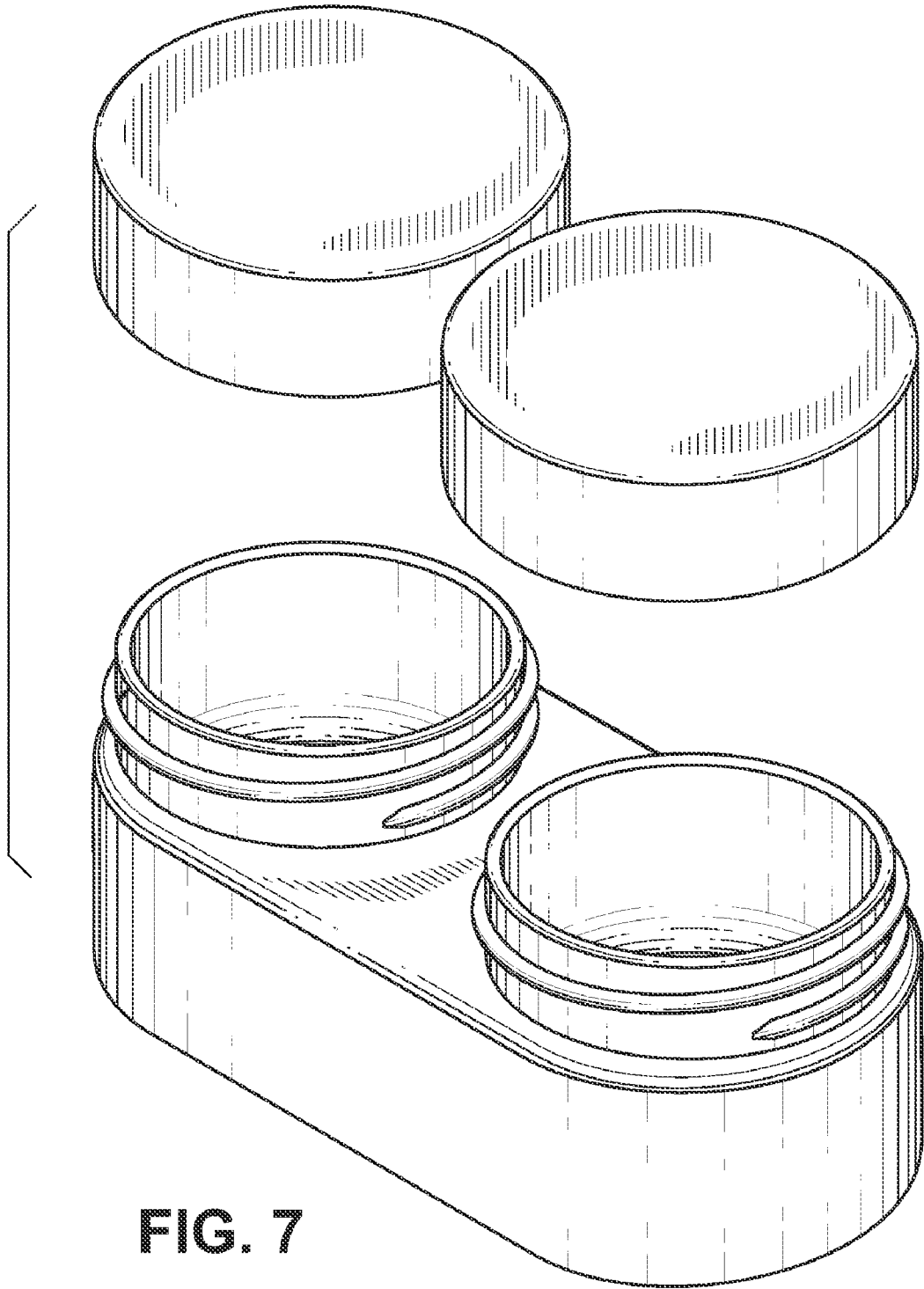


FIG. 7