



US00D677351S

(12) **United States Design Patent**
Baudhuin

(10) **Patent No.:** **US D677,351 S**

(45) **Date of Patent:** **** Mar. 5, 2013**

(54) **EXERCISE BICYCLE FRAME**

(75) Inventor: **John R Baudhuin**, Venice, CA (US)

(73) Assignee: **Mad Dogg Athletics, Inc.**, Venice, CA (US)

(**) Term: **14 Years**

(21) Appl. No.: **29/374,083**

(22) Filed: **Jun. 30, 2011**

(51) **LOC (9) Cl.** **21-02**

(52) **U.S. Cl.** **D21/697**

(58) **Field of Classification Search** D21/662-670,
D21/694, 697; 482/51-52, 57-65; 280/261,
280/266, 282, 284, 288.1, 288.3, 304.4, 835;
D12/111

See application file for complete search history.

(56) **References Cited**

U.S. PATENT DOCUMENTS

562,198 A	6/1896	Robinson
588,166 A	8/1897	McCoy
633,534 A	9/1899	Read
635,082 A	10/1899	Stiles
671,785 A	4/1901	Young et al.
1,336,774 A	4/1920	Cooper
1,507,554 A	9/1924	Cooper
1,636,327 A	7/1927	Roe
3,062,204 A	11/1962	Stefano
3,511,097 A	5/1970	Corwin
D251,747 S	5/1979	Valentine et al.
4,188,030 A	2/1980	Hooper
D280,117 S	8/1985	Collins
D280,118 S	8/1985	Collins
4,577,860 A	3/1986	Matias

(Continued)

FOREIGN PATENT DOCUMENTS

CN	301072944D	12/2009
WO	WO 96/25984	8/1996

OTHER PUBLICATIONS

Nautilus Schwinn Fitness, Schwinn A.C. Performance, 2009.

(Continued)

Primary Examiner — Susan E Krakower

(74) *Attorney, Agent, or Firm* — Maceiko IP

(57) **CLAIM**

The ornamental design for an exercise bicycle frame, as shown and described.

DESCRIPTION

FIG. 1 is a right side view of an embodiment of an exercise bicycle frame.

FIG. 2 is a left side view of an embodiment of an exercise bicycle frame.

FIG. 3 is a rear view of an embodiment of an exercise bicycle frame.

FIG. 4 is a front view of an embodiment of an exercise bicycle frame.

FIG. 5 is a bottom view of an embodiment of an exercise bicycle frame.

FIG. 6 is a top view of an embodiment of an exercise bicycle frame.

FIG. 7 is a left rear perspective view of an embodiment of an exercise bicycle frame.

FIG. 8 is a right side view of an alternate embodiment of an exercise bicycle frame.

FIG. 9 is a left side view of an alternate embodiment of an exercise bicycle frame.

FIG. 10 is a rear view of an alternate embodiment of an exercise bicycle frame.

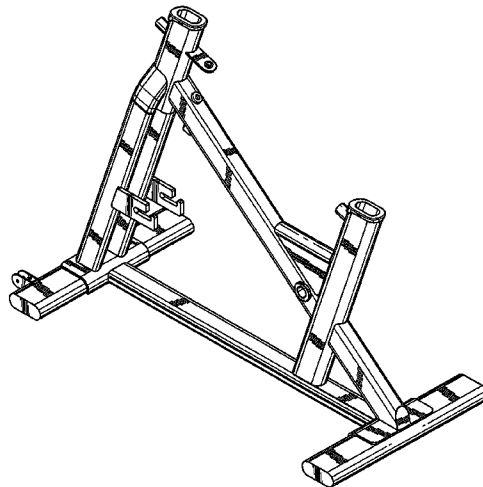
FIG. 11 is a front view of an alternate embodiment of an exercise bicycle frame.

FIG. 12 is a bottom view of an alternate embodiment of an exercise bicycle frame.

FIG. 13 is a top view of an alternate embodiment of an exercise bicycle frame; and,

FIG. 14 is a left rear perspective view of an alternate embodiment of an exercise bicycle frame.

1 Claim, 14 Drawing Sheets



U.S. PATENT DOCUMENTS

D284,596	S	7/1986	McNeil	
4,632,386	A	12/1986	Beech	
D289,782	S	5/1987	Szymski et al.	
D291,462	S	8/1987	Aalto	
D292,304	S	10/1987	Ostrom	
4,768,777	A	9/1988	Yang	
4,772,069	A	9/1988	Szymski	
4,775,145	A	* 10/1988	Tsuyama	482/63
4,824,102	A	4/1989	Lo	
4,880,225	A	11/1989	Lucas et al.	
4,902,001	A	2/1990	Balbo	
4,915,374	A	4/1990	Watkins	
4,936,570	A	6/1990	Szymski et al.	
5,000,469	A	3/1991	Smith	
5,145,477	A	9/1992	Han	
5,145,480	A	* 9/1992	Wang	482/63
5,232,422	A	8/1993	Bishop, Jr.	
5,336,147	A	8/1994	Sweeney, III	
5,423,728	A	6/1995	Goldberg	
D382,924	S	8/1997	Wu	
D382,925	S	8/1997	Wu	
5,716,304	A	2/1998	Wang et al.	
D407,767	S	4/1999	Chang	
D459,775	S	7/2002	Chen	
D460,133	S	7/2002	Baker	
D460,794	S	7/2002	Baker	
D465,818	S	11/2002	Goldberg	
D473,274	S	4/2003	Baudhuin et al.	
D473,602	S	4/2003	Baudhuin et al.	
D474,252	S	5/2003	Lull et al.	
6,612,970	B2	* 9/2003	Forcillo	482/57
6,881,178	B1	* 4/2005	Goldberg	482/57
D507,313	S	7/2005	Goldberg	
7,004,888	B1	* 2/2006	Weng	482/57
D532,063	S	* 11/2006	Kim et al.	D21/697
D533,237	S	* 12/2006	Lassanske et al.	D21/698
7,264,577	B2	* 9/2007	Lin	482/63
D616,050	S	* 5/2010	Lull	D21/667
D625,762	S	* 10/2010	Fon	D21/667
7,901,334	B2	* 3/2011	Chen et al.	482/63
D649,607	S	* 11/2011	Lull	D21/697
8,052,581	B1	* 11/2011	Lohr et al.	482/63

OTHER PUBLICATIONS

Nautilus Schwinn Fitness, Schwinn A.C. Sport, 2009.
 Nautilus Schwinn Fitness, Schwinn A.C. Classic, 2009.
 Nautilus Schwinn Fitness, Schwinn IC Pro, 2009.
 Power-Lift, Spin Bike—PLSPIN, 2008, 1 page.
 Realryder International LLC, RealRyder ABF7, 2008, 1 page.
 Reebok, Studio Cycle, 1996, 1 page.
 Schwinn IC Bikes, Schwinn Indoor Cycling, New IC Pro/Elite, Mar. 2002 IHRSA Show.
 Schwinn IC Bikes, Schwinn Indoor Cycling, New Smart Release (IC Elite Model), Mar. 2002 IHRSA Show.
 Schwinn Fitness, Evolution, 2004.
 Multisports, EnduroCycle, ENC-360S / Y, 2007.
 Multisports, EnduroCycle, ENC-420SL / YL, 2007.
 Multisports, EnduroCycle, ENC-500B / S, 2007.
 Multisports, EnduroCycle, ENC-600NL / YL, 2007.
 Multisports, EnduroCycle, ENC-620L, 2007.
 Multisports, EnduroCycle, ENC-650CL / SL, 2007.
 Multisports, EnduroCycle, ENC-660CL, 2007.
 Nautilus Schwinn Fitness, Evolution Series, 2008.
 Nautilus Schwinn Fitness, IC Pro Series, 2008.
 Nautilus Schwinn Fitness, IC Elite Series, 2008.
 Lemond Fitness, Inc., LeMond RevMaster, 2008, 2 pages.
 Lemond Fitness, Inc., LeMond RevMaster, Jan. 29, 2003, 2 pages.
 Lemond Fitness, Inc., RevMaster, 2007, 1 page.
 Lemond Fitness, Inc., RevMaster Pilot, May 27, 2004, 1 page.
 Lifecore Fitness, LC-ST, 2008, 2 pages.
 Life Fitness, Jan. 15, 2008, 1 page.
 Lime Pro-Equipment, S1.0, 2008, 3 pages.
 Mad Dogg Athletics, Inc., Spinner NXT, 2008, 1 page.
 Mad Dogg Athletics, Inc., Spinner Pro, 2008, 1 page.

Mad Dogg Athletics, Inc., Spinner Velo, 2008, 1 page.
 Mad Dogg Athletics, Inc., Spinning, Your Guide to Ride pamphlet, 2008 IHRSA, 4 pages.
 Matrix Fitness Indoor Cycling, S-Series LS, 2009.
 Matrix Fitness Indoor Cycling, E-Series LS, 2009.
 Matrix Fitness Indoor Cycling, MyRide, 2009.
 Matrix Fitness Systems, Tomahawk E-Series, 2008.
 Matrix Fitness Systems, Tomahawk S-Series, 2008.
 Millenium Fitness International, BodyCycle, 2003, 1 page.
 Motus, Motus Fusion Group, 2008, 1 page.
 Motus, Motus NRG Group, 2008, 1 page.
 Multisports, EnduroCycle, ENC-200N, 2007.
 Spinfitness Product Catalog, Spinner NXT, 2009, 1 page.
 Spinfitness Product Catalog, Spinner Pro, 2009, 1 page.
 Spinfitness Product Catalog, Spinner Sport, 2009, 1 page.
 Spinfitness Product Catalog, Spinner V, 2009, 1 page.
 Spinfitness Product Catalog, Spinner Velo, 2009, 1 page.
 Stamina, CPS 9200, Feb. 13, 2009, 1 page.
 Stamina, CPS 9200 Indoor Cycle, Sep. 29, 2010, 1 page.
 Star Trac, eSpinner, 2008, 2 pages.
 Star Trac, V-Bike, Owner's Manual cover page, Mar. 26, 2003, 1 page.
 Summit Cycles, Summit, 2003, 1 page.
 www.trixter.net, Trixter Bikes X-800, Mar. 28, 2008, 1 page.
 www.trixter.net, Trixter Bikes X-1000, Mar. 28, 2008, 1 page.
 www.trixter.net, Trixter X-Bike 1000, Mar. 28, 2008, 1 page.
 www.x-biking.com, Trixter XBike 600, Mar. 28, 2008, 2 pages.
 www.x-biking.com, XBike 400 Trixter, Jan. 2008, 1 page.
 www.x-biking.com, XBike 800 Trixter, Jan. 2008, 1 page.
 www.x-biking.com, XBike 1000 Trixter, Sep. 17, 2007, 1 page.
 BH Fitness, BH Fitness Products Indoor Cycling, SB3 Magnetic, LCU Optional, 2010, 2 pages.
 BH Fitness, BH Fitness Products Indoor Cycling, SB3 Magnetic, LCU, 2010, 2 pages.
 BH North America, BH Fitness, SB4, 2008, 4 pages.
 BH Fitness, BH Fitness Products Indoor Cycling, Spada GSG, 2010, 2 pages.
 BH Fitness, BH Fitness Products Indoor Cycling, Spada Magnetic, 2010, 2 pages.
 BH North America, Bladez/Ion Fitness Bikes, Aeropro, 2010, 2 pages.
 BH North America, Bladez Fitness Bikes, Agility, 2010, 2 pages.
 BH North America, Bladez/Ion Fitness Bikes, Ascent, 2010, 2 pages.
 BH North America, Bladez/Ion Fitness Bikes, Countdown, 2010, 3 pages.
 BH North America, Bladez Fitness Bikes, Evora, 2010, 2 pages.
 1984 Fitness Range From Pan's World, Folding Cycle III, PA-301A.
 1984 Fitness Range From Pan's World, Exerciser, PA-302.
 1984 Fitness Range From Pan's World, Home Cycle, PA 303.
 1984 Fitness Range From Pan's World, Swing Exercise Bike, PA-304.
 1984 Fitness Range From Pan's World, Exercise Bike, PA-305.
 1984 Fitness Range From Pan's World, Exerciser, PA-306.
 BH Fitness, The Duke, Sep. 17, 2007.
 BH Fitness, SB2 Pro, Jan. 11, 2008.
 Bicycling, Nov. 1989.
 Body Bike International, Body Bike Indoor Cycles, Basic, 2008.
 Schwinn Fitness, Evolution-SR, 2004.
 Schwinn Fitness, IC Pro, 2004.
 Schwinn Fitness, IC Elite, 2004.
 Schwinn Fitness Equipment, Johnny G. Spinner, 1995-1996, 1 page.
 Schwinn Fitness Equipment, DX900, 1995-1996, 1 page.
 Schwinn Fitness Equipment, Personal Trainer 105, 1995-1996, 1 page.
 Shokk USA, Shokk, 2008 IHRSA, 1 page.
 Spinfitness Product Catalog, eSpinner, 2009, 1 page.
 Spinfitness Product Catalog, Spinner Elite, 2009, 1 page.
 Spinfitness Product Catalog, Spinner Fit, 2009, 1 page.
 Body Bike International, Body Bike Indoor Cycles, Classic, 2008.
 Body Bike International, Body Bike Indoor Cycles, Classic Stainless Steel, 2008.
 Body Bike International, Body Bike Indoor Cycles, Classic Supreme, 2008.

- Body Bike International, Body Bike Indoor Cycles, Premium HBS, 2008.
- Body Cycle, Avenger, Jan. 27, 2003.
- Cycleops Power, Club Pro 300PT, 2008.
- Expresso Fitness, Expresso Bikes, The Technology, 2008 IHRSA.
- Fitness Industry Technology, Schwinn A.C. Performance Series, 2010 IHRSA.
- Fitness Masters, Inc., Xmomentum, Sep. 17, 2007.
- Fitness Masters, Inc., Xvelocity, Sep. 17, 2007.
- Fitness Outlet.Com, Reebok Studio Cycle, Jan. 29, 2003, 1 page.
- Healthcare International, Navigator, 2008, 1 page.
- Healthstyleexercise.com, Reebok Studio Cycle C, Feb. 3, 2003, 1 page.
- Hydrorider, AquaBike Easy Line, 2008, 1 page.
- Hydrorider, AquaBike Professional, 2008, 2 pages.
- Ironman, 2007, 1 page.
- Kettler, ergoracer gt, Sep. 17, 2007, 1 page.
- Kettler, speed pro, Sep. 17, 2007, 1 page.
- KHS Bicycles, Spnergy, Mar. 31, 2006, 1 page.
- Lemond Fitness, Inc., g-force ut, 2008, 1 page.
- www.ssgecom.com, Keys Ironman 112M Spinner Bike, Feb. 23, 2006, 2 pages.
- www.ssgecom.com, StarTrac V-Bike, Feb. 23, 2006, 1 page.
- www.tomahawk.de, XL Bike, 2003, 1 page.
- www.tomahawk.de, XXL Bike, 2003, 1 page.
- www.tomahawk.de, XXL 1, 2003, 1 page.
- www.tomahawk.de, XXL 2, 2003, 1 page.
- www.tomahawk.de, XXL 3, 2003, 1 page.
- www.tomahawk.de, ICE, 2003, 1 page.
- www.trixter.net, Trixter X-600, Mar. 28, 2008, 1 page.
- www.trixter.net, Trixter Bikes X-400, Mar. 28, 2008, 1 page.
- BH North America, Bladez/Ion Fitness Bikes, Fusion, 2010, 2 pages.
- BH North America, Bladez/Ion Fitness Bikes, Jet Bike, 2010, 2 pages.
- BH North America, Bladez/Ion Fitness Bikes, Jet Bike GS, 2010, 2 pages.
- BH North America, Bladez/Ion Fitness Bikes, KZ1, 2010, 2 pages.
- BH North America, Bladez/Ion Fitness Bikes, Master, 2010, 2 pages.
- BH North America, Bladez/Ion Fitness Bikes, Spinpower, 2010, 1 page.
- BH North America, Bladez/Ion Fitness Bikes, Sprintwinner, 2010, 2 pages.
- BH North America, Bladez/Ion Fitness Bikes, SX Pro, 2010, 2 pages.
- BH North America, Bladez/Ion Fitness Bikes, Velopro-US, 2010, 2 pages.
- BH Fitness, BH Fitness Products Indoor Cycling, Duke, 2010, 2 pages.
- BH Fitness, BH Fitness Products Indoor Cycling, Duke Electronic, 2010, 2 pages.
- BH Fitness, BH Fitness Products Indoor Cycling, Duke Magnetic, 2010, 2 pages.
- BH Fitness, BH Fitness Products Indoor Cycling, G5 Ergo Tour, 2010, 2 pages.
- BH Fitness, BH Fitness Products Indoor Cycling, SB0, 2010, 2 pages.
- BH Fitness, BH Fitness Products Indoor Cycling, SB1, 2010, 2 pages.
- BH Fitness, BH Fitness Products Indoor Cycling, SB 1.0, 2010, 2 pages.
- BH Fitness, BH Fitness Products Indoor Cycling, SB2, 2010, 2 pages.
- BH North America, BH Fitness, SB2b, 2010, 4 pages.
- BH Fitness, BH Fitness Products Indoor Cycling, SB2.0, 2010, 2 pages.
- Technogym, 2009, 1 page.
- Willygoat Home & Outdoor, 112M Spin Bike, Jan. 11, 2008, 1 page.
- www.cdn.overstock.com, Stamina CPS 9200, Feb. 16, 2009, 1 page.
- www.exercisebikes.com, Aristo Commercial CS2 Indoor Cycle Trainer, Apr. 9, 2012, 1 page.
- www.indoorcycling.com, Tomahawk, May 19, 2009, 1 page.
- www.indoorcycling.com, My Ride, May 19, 2009, 1 page.
- www.schwinnfitness.com, DX900 Upright Bike, Aug. 25, 2004, 1 page.
- www.spin-bikes.com, Pro-100, Apr. 15, 2006, 1 page.
- www.spinning.com, Spinner Elite, 2008, 1 page.
- www.spinning.com, Spinner V, 2008, 1 page.
- 1999 Spinning Catalog, Johnny G. Spinner Elite, 1 page.
- 1999 Spinning Catalog, Johnny G. Spinner Pro, 1 page.
- 1999 Spinning Catalog, Johnny G. Spinner Special Edition, 1 page.
- 2002 Spinning Catalog, Johnny G. Spinner Elite, 1 page.
- 2004 Spinning Catalog, Spinner Pro, 1 page.
- 2006 Spinning Catalog, Spinner Sport, 1 page.
- 2008 Spinning Catalog, Spinner Elite, 1 page.
- 2008 Spinning Catalog, Spinner Pro, 1 page.
- 2008 Spinning Catalog, Spinner Velo, 1 page.

* cited by examiner

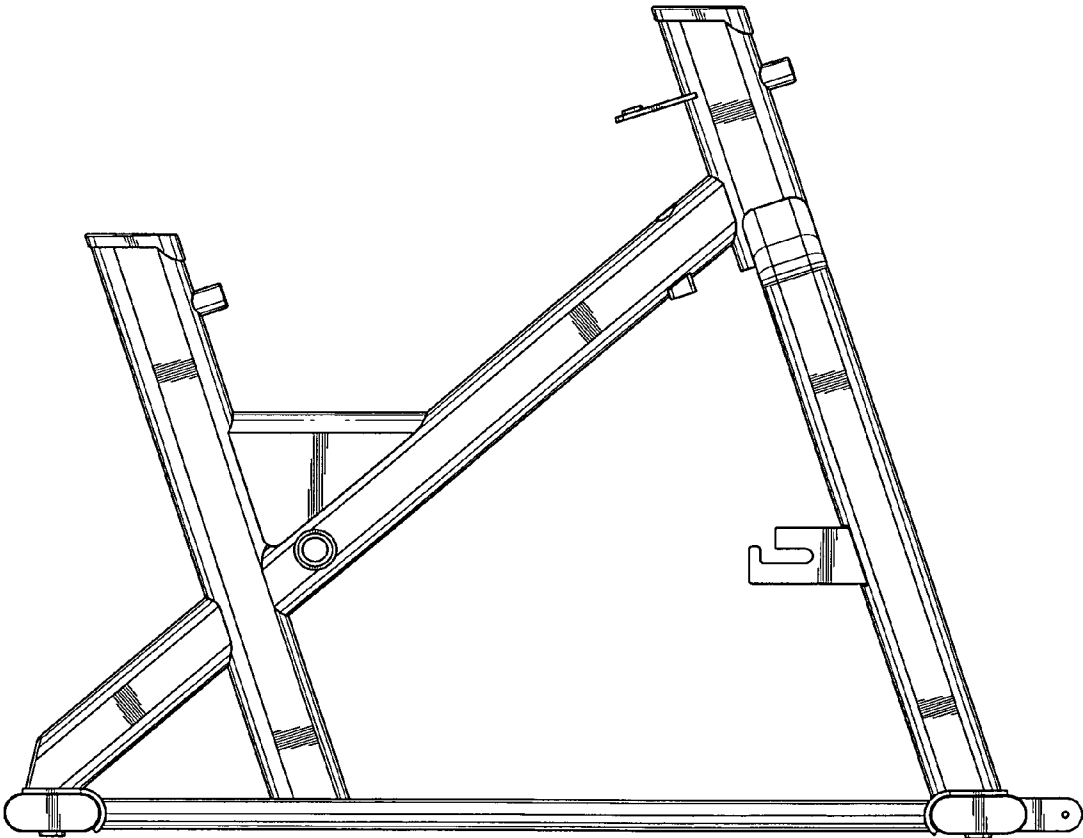


FIG. 1

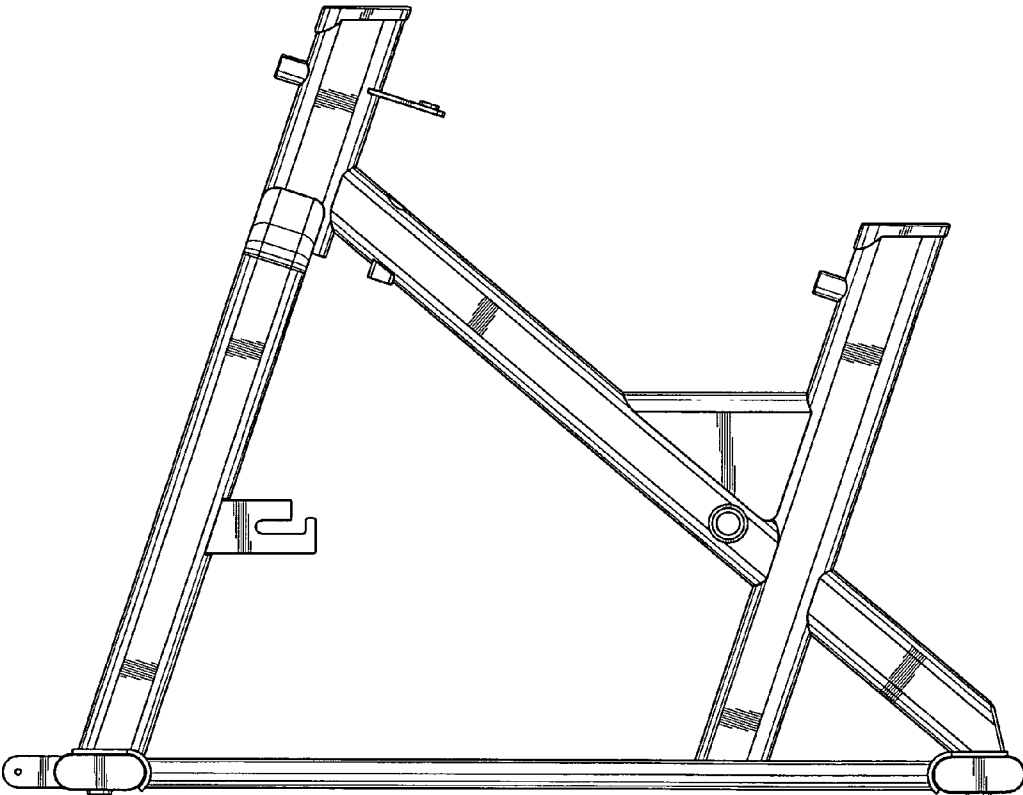


FIG. 2

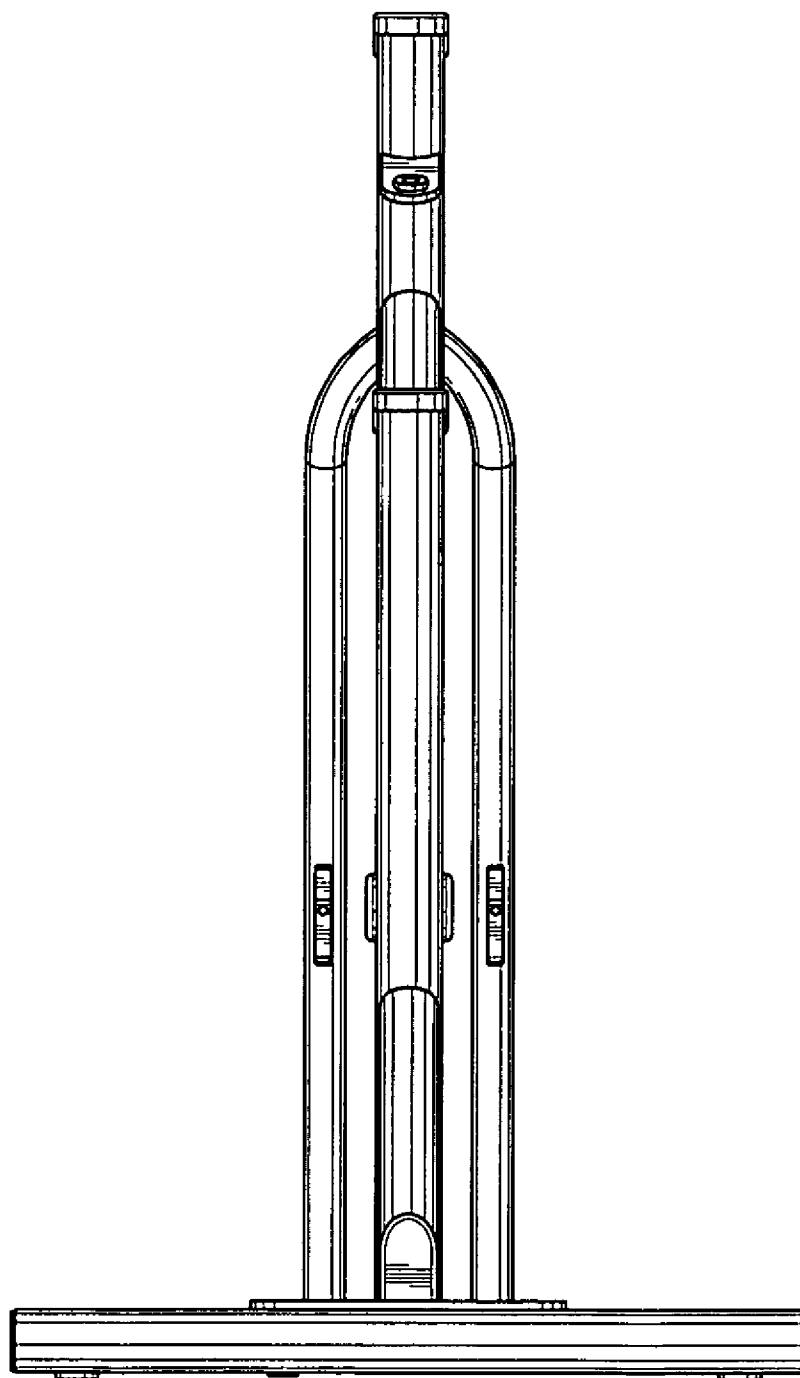


FIG. 3

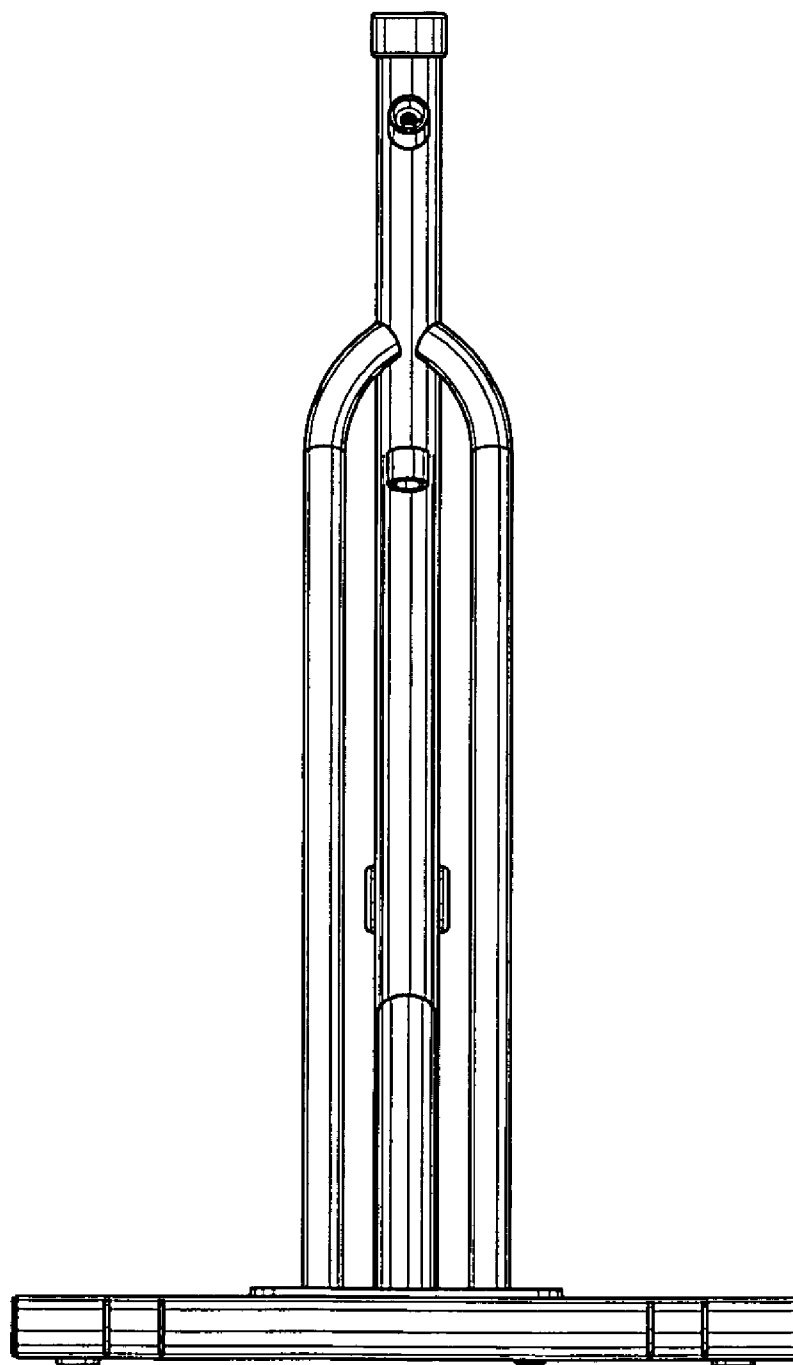


FIG. 4

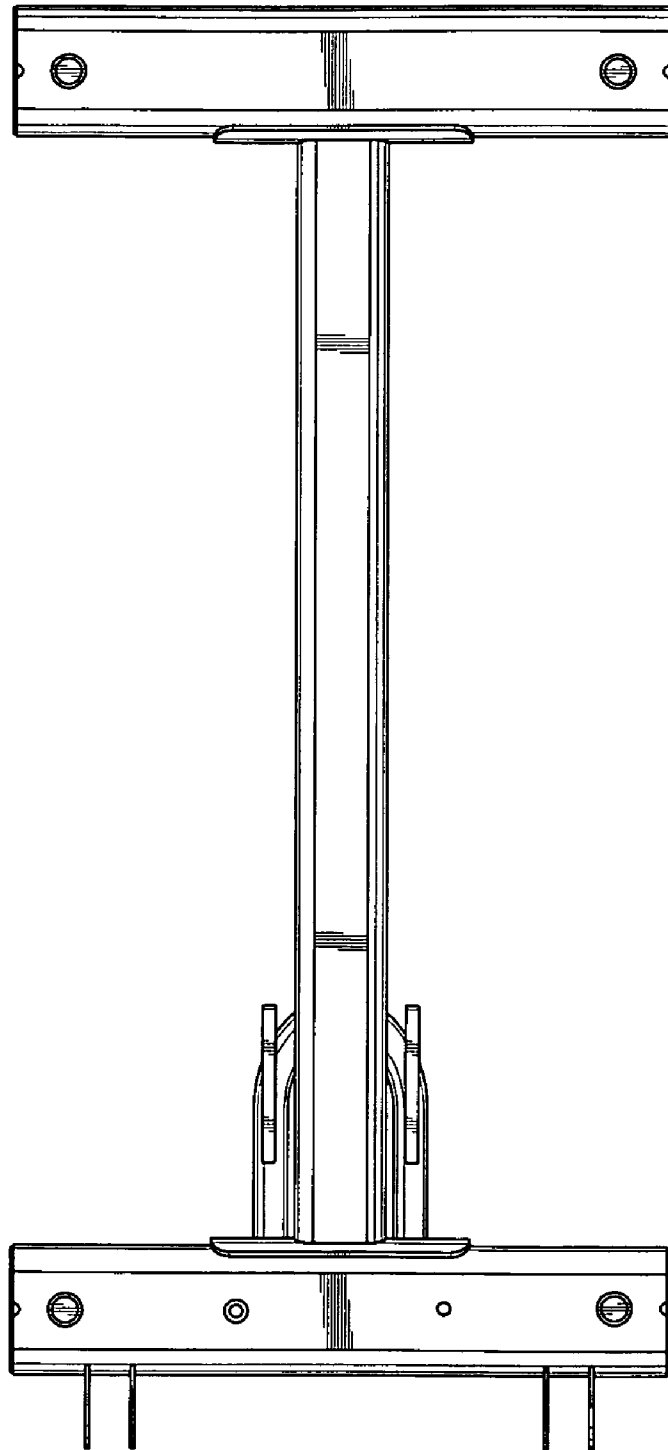


FIG. 5

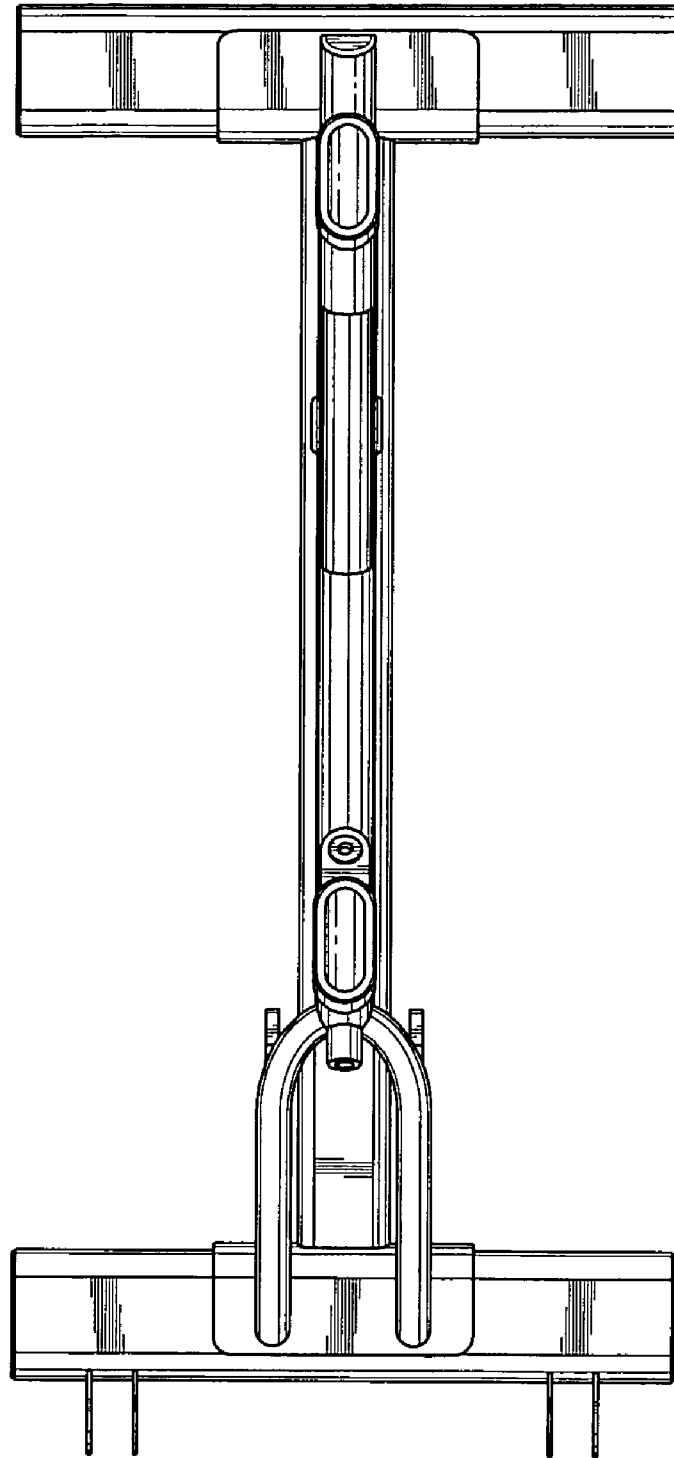


FIG. 6

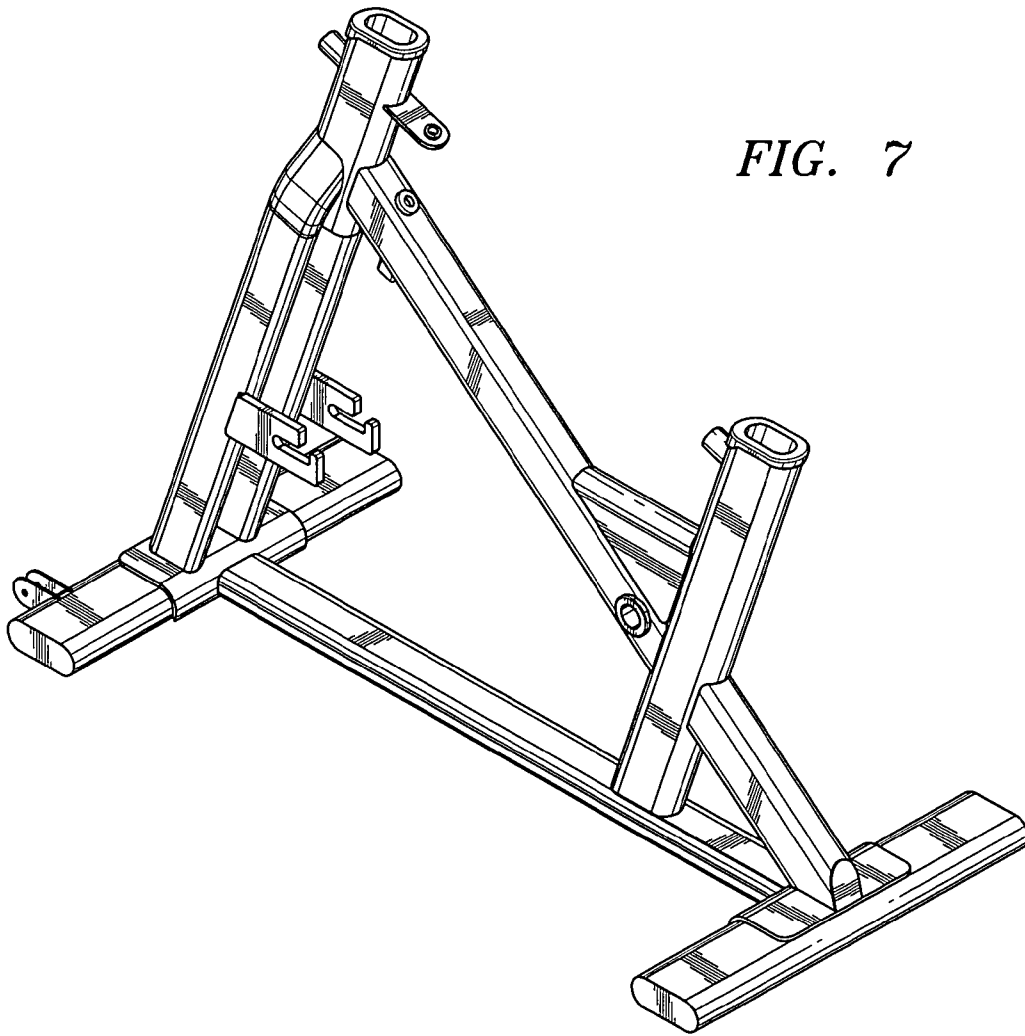


FIG. 7

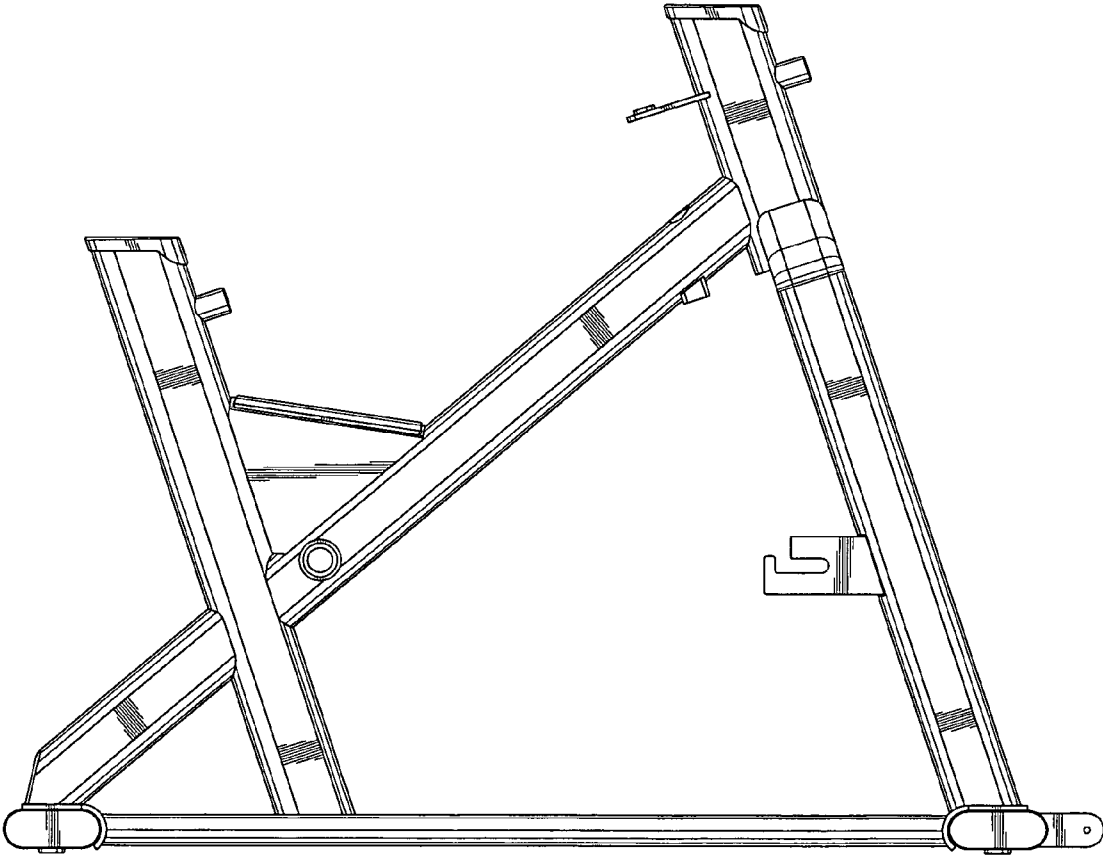


FIG. 8

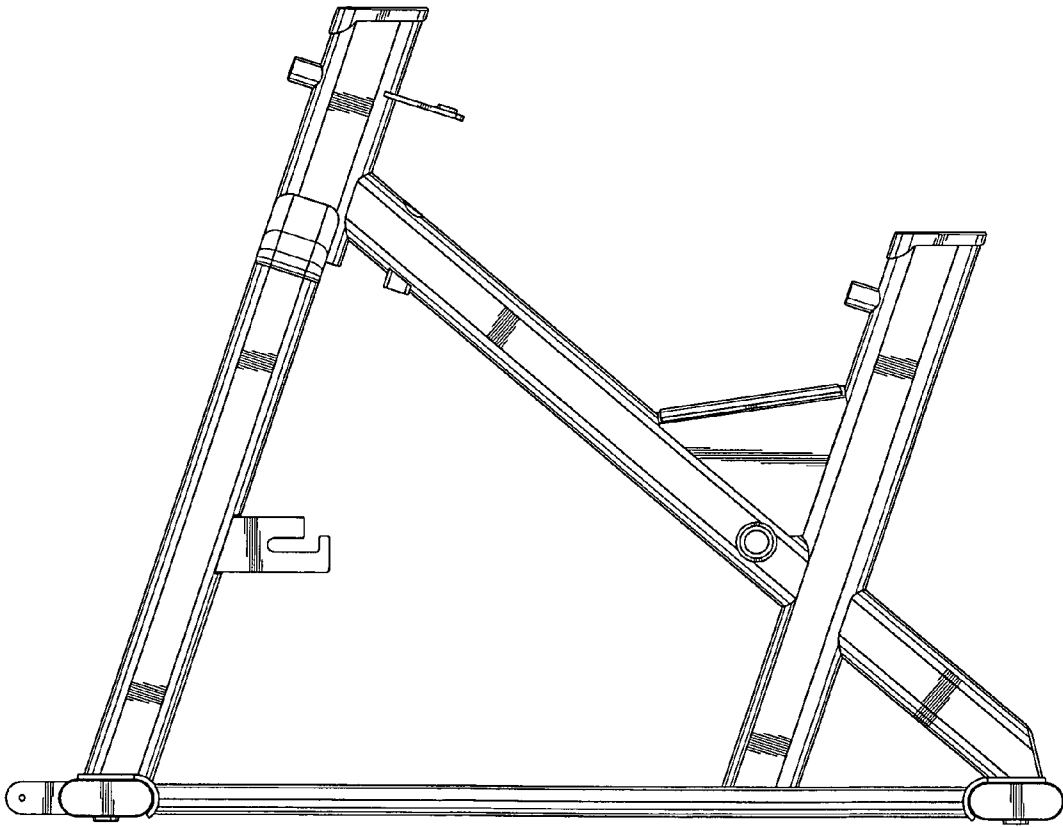


FIG. 9

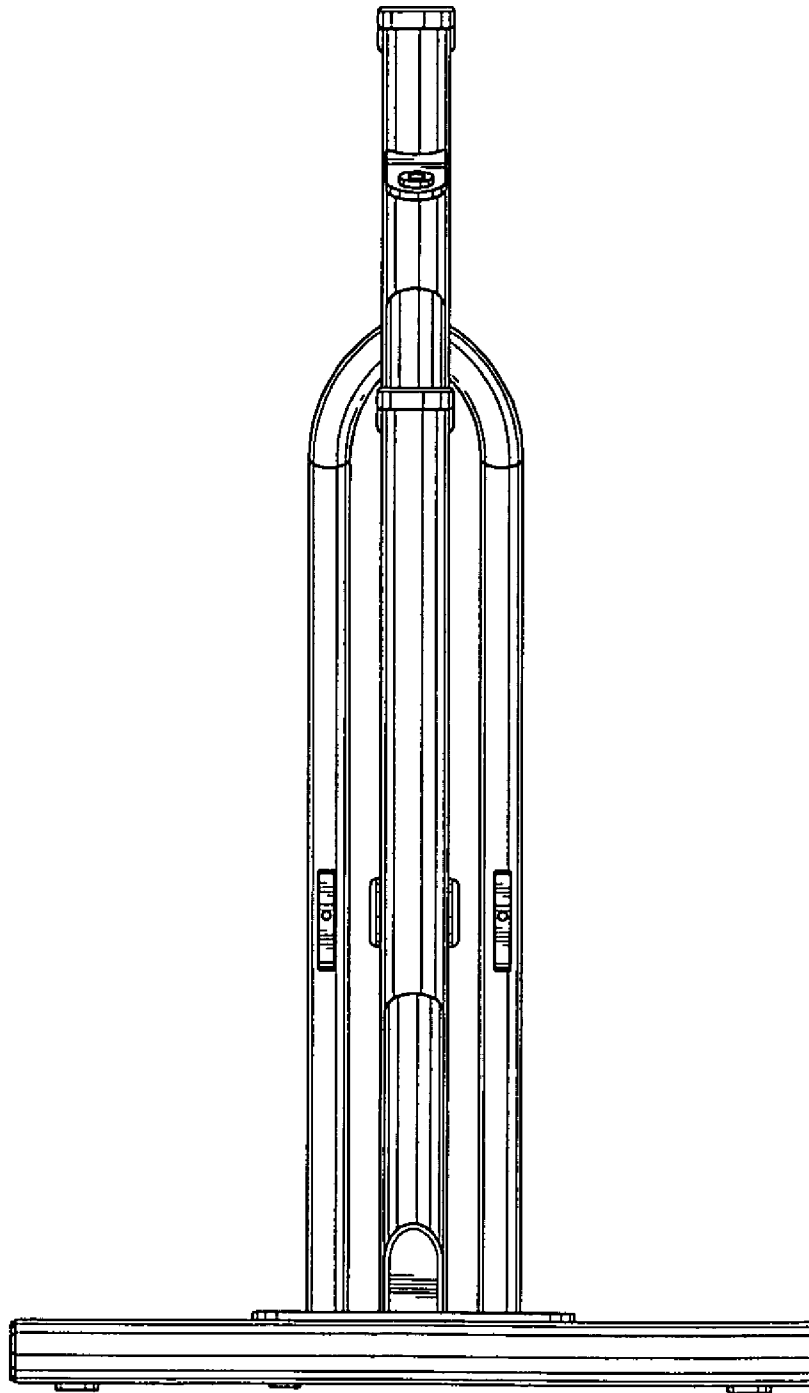


FIG. 10

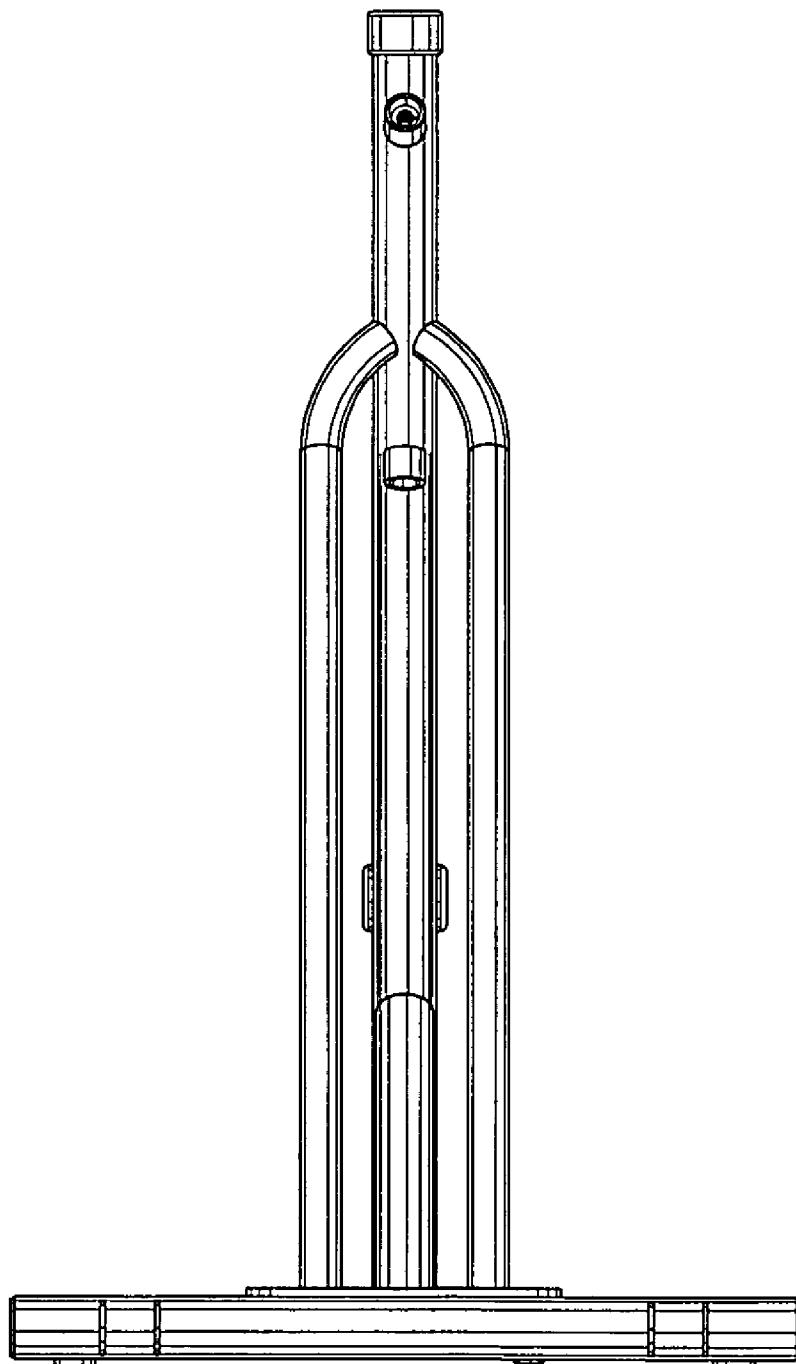


FIG. 11

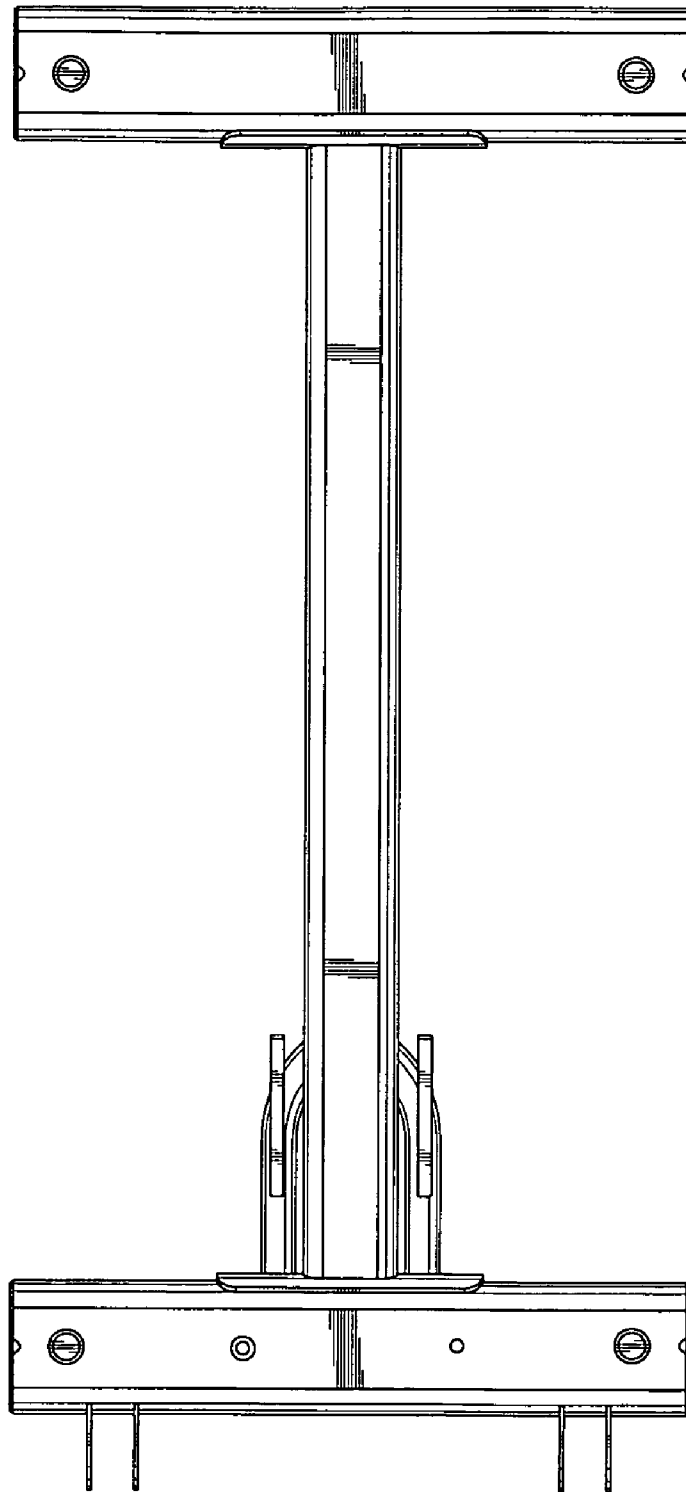


FIG. 12

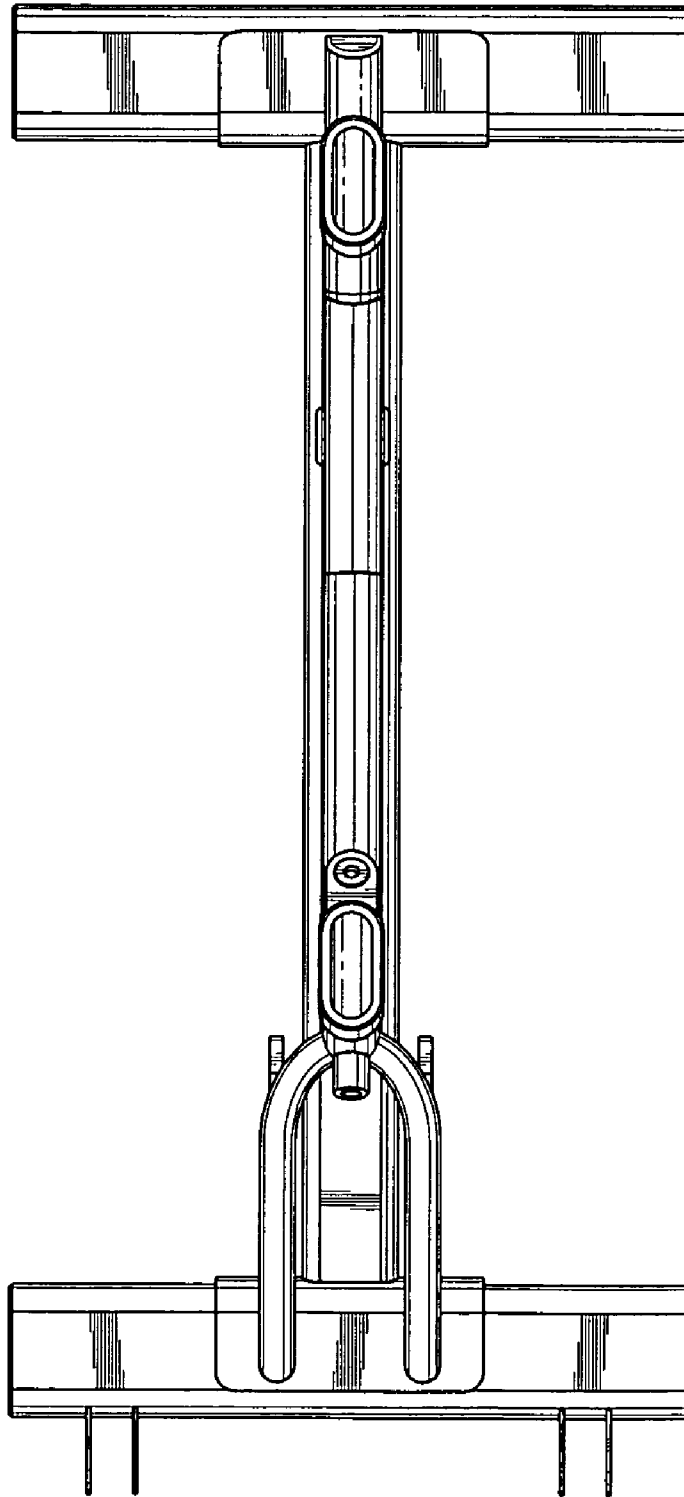


FIG. 13

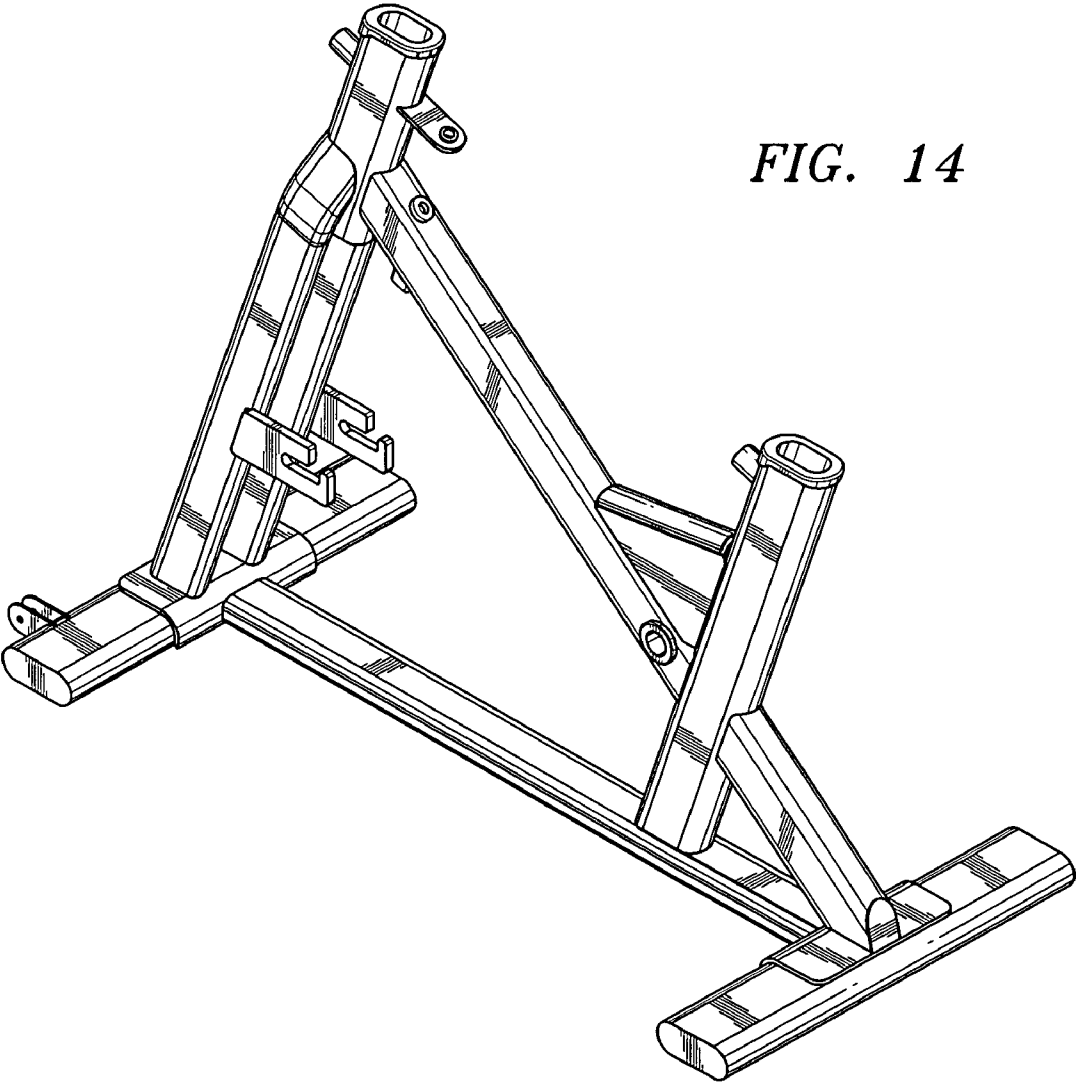


FIG. 14