

(19) World Intellectual Property Organization  
International Bureau



(43) International Publication Date  
9 September 2011 (09.09.2011)

(10) International Publication Number  
**WO 2011/107748 A3**

- (51) International Patent Classification:  
*B01D 24/00* (2006.01)    *B01D 24/14* (2006.01)
- (21) International Application Number:  
PCT/GB2011/000305
- (22) International Filing Date:  
4 March 2011 (04.03.2011)
- (25) Filing Language: English
- (26) Publication Language: English
- (30) Priority Data:  
61/310,832    5 March 2010 (05.03.2010)    US
- (71) Applicant (for MG only): **LAMB, Martin John Carstairs** [GB/GB]; 90 Long Acre, London WC2E 9RA (GB).
- (72) Inventor; and  
(71) Applicant : **HODGES, Michael Kent** [US/US]; 1131 Milky Way, Colorado Springs, CO 80905 (US).
- (72) Inventors; and  
(75) Inventors/Applicants (for US only): **CAMPBELL, Larry D.** [US/US]; 2700 N. Peebly Road, Harrah, CO 73045 (US). **FRY, David L.** [US/US]; 19501 SE 59th, Newalla, OK 74857 (US).
- (74) Agent: **LLOYD, Robin**; Marks & Clerk LLP, 90 Long Acre, London WC2E 9RA (GB).
- (81) Designated States (unless otherwise indicated, for every kind of national protection available): AE, AG, AL, AM, AO, AT, AU, AZ, BA, BB, BG, BH, BR, BW, BY, BZ, CA, CH, CL, CN, CO, CR, CU, CZ, DE, DK, DM, DO, DZ, EC, EE, EG, ES, FI, GB, GD, GE, GH, GM, GT, HN, HR, HU, ID, IL, IN, IS, JP, KE, KG, KM, KN, KP, KR, KZ, LA, LC, LK, LR, LS, LT, LU, LY, MA, MD, ME, MG, MK, MN, MW, MX, MY, MZ, NA, NG, NI, NO, NZ, OM, PE, PG, PH, PL, PT, RO, RS, RU, SC, SD, SE, SG, SK, SL, SM, ST, SV, SY, TH, TJ, TM, TN, TR, TT, TZ, UA, UG, US, UZ, VC, VN, ZA, ZM, ZW.
- (84) Designated States (unless otherwise indicated, for every kind of regional protection available): ARIPO (BW, GH, GM, KE, LR, LS, MW, MZ, NA, SD, SL, SZ, TZ, UG, ZM, ZW), Eurasian (AM, AZ, BY, KG, KZ, MD, RU, TJ, TM), European (AL, AT, BE, BG, CH, CY, CZ, DE, DK, EE, ES, FI, FR, GB, GR, HR, HU, IE, IS, IT, LT, LU, LV, MC, MK, MT, NL, NO, PL, PT, RO, RS, SE, SI, SK, SM, TR), OAPI (BF, BJ, CF, CG, CI, CM, GA, GN, GQ, GW, ML, MR, NE, SN, TD, TG).

[Continued on next page]

(54) Title: APPARATUS AND METHOD FOR DE-WATERING OF FLOCCULATED MATERIALS

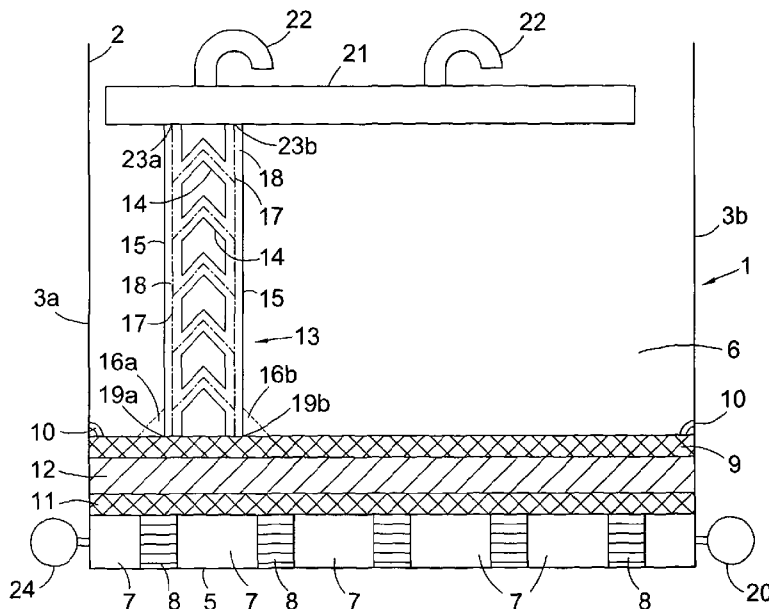


Fig. 1

(57) Abstract: An apparatus (1) for de-watering flocculated material, the apparatus comprising a vessel (2) having a first volume and a second volume (7) being separated by a filter means (12), the filter means (12) being configured to allow water to pass through and to retain solids. The first volume (6) being for receiving flocculated material. The apparatus also comprises pressure application means (13) configured, in use, to apply a reduced pressure from a location in the first volume (6) spaced from the filter means (12), the pressure application means (13) being provided with a fluid connection for removal of water from the location in the first volume.

WO 2011/107748 A3



**Published:**

**(88) Date of publication of the international search report:**

8 March 2012

- *with international search report (Art. 21(3))*
- *before the expiration of the time limit for amending the claims and to be republished in the event of receipt of amendments (Rule 48.2(h))*

**INTERNATIONAL SEARCH REPORT**

International application No  
PCT/GB2011/000305

**A. CLASSIFICATION OF SUBJECT MATTER**  
 INV. B01D24/00 B01D24/14  
 ADD.  
 According to International Patent Classification (IPC) or to both national classification and IPC

**B. FIELDS SEARCHED**  
 Minimum documentation searched (classification system followed by classification symbols)  
 B01D  
 Documentation searched other than minimum documentation to the extent that such documents are included in the fields searched

Electronic data base consulted during the international search (name of data base and, where practical, search terms used)  
 EPO-Internal

Category*	Citation of document, with indication, where appropriate, of the relevant passages	Relevant to claim No.
X	EP 0 591 124 A1 (TREATMENT TECH FOR SLUDGES NV [BE]) 6 April 1994 (1994-04-06)	1-16, 18-28, 30-35, 37,38
Y	the whole document	17,29
Y	EP 0 498 037 A1 (ECOTECNICA SRL [IT]) 12 August 1992 (1992-08-12)	17
A	page 2, line 45; figure 7 page 4, line 6	18
Y	US 2009/294356 A1 (BEGGS ROBERT A [US]) 3 December 2009 (2009-12-03) page 4, paragraph 43	29
A	GB 2 361 915 A (GENESIS FLUID SOLUTIONS LLC [US]) 7 November 2001 (2001-11-07) abstract	1,30

Further documents are listed in the continuation of Box C.

See patent family annex.

\* Special categories of cited documents :

- "A" document defining the general state of the art which is not considered to be of particular relevance
- "E" earlier document but published on or after the international filing date
- "L" document which may throw doubts on priority claim(s) or which is cited to establish the publication date of another citation or other special reason (as specified)
- "O" document referring to an oral disclosure, use, exhibition or other means
- "P" document published prior to the international filing date but later than the priority date claimed

- "T" later document published after the international filing date or priority date and not in conflict with the application but cited to understand the principle or theory underlying the invention
- "X" document of particular relevance; the claimed invention cannot be considered novel or cannot be considered to involve an inventive step when the document is taken alone
- "Y" document of particular relevance; the claimed invention cannot be considered to involve an inventive step when the document is combined with one or more other such documents, such combination being obvious to a person skilled in the art.
- "&" document member of the same patent family

Date of the actual completion of the international search  17 October 2011	Date of mailing of the international search report  23/01/2012
--	--

Name and mailing address of the ISA/ European Patent Office, P.B. 5818 Patentlaan 2 NL - 2280 HV Rijswijk Tel. (+31-70) 340-2040, Fax: (+31-70) 340-3016	Authorized officer  Artos Fernández, V
--	--

# INTERNATIONAL SEARCH REPORT

International application No.  
PCT/GB2011/000305

## Box No. II Observations where certain claims were found unsearchable (Continuation of item 2 of first sheet)

This international search report has not been established in respect of certain claims under Article 17(2)(a) for the following reasons:

1.  Claims Nos.:  
because they relate to subject matter not required to be searched by this Authority, namely:
  
2.  Claims Nos.:  
because they relate to parts of the international application that do not comply with the prescribed requirements to such an extent that no meaningful international search can be carried out, specifically:
  
3.  Claims Nos.:  
because they are dependent claims and are not drafted in accordance with the second and third sentences of Rule 6.4(a).

## Box No. III Observations where unity of invention is lacking (Continuation of item 3 of first sheet)

This International Searching Authority found multiple inventions in this international application, as follows:

see additional sheet

1.  As all required additional search fees were timely paid by the applicant, this international search report covers all searchable claims.
  
2.  As all searchable claims could be searched without effort justifying an additional fees, this Authority did not invite payment of additional fees.
  
3.  As only some of the required additional search fees were timely paid by the applicant, this international search report covers only those claims for which fees were paid, specifically claims Nos.:
  
4.  No required additional search fees were timely paid by the applicant. Consequently, this international search report is restricted to the invention first mentioned in the claims; it is covered by claims Nos.:

1-35, 37, 38

### Remark on Protest

- The additional search fees were accompanied by the applicant's protest and, where applicable, the payment of a protest fee.
- The additional search fees were accompanied by the applicant's protest but the applicable protest fee was not paid within the time limit specified in the invitation.
- No protest accompanied the payment of additional search fees.

**FURTHER INFORMATION CONTINUED FROM PCT/ISA/ 210**

This International Searching Authority found multiple (groups of) inventions in this international application, as follows:

1. claims: 1-35, 37, 38

Apparatus and method for dewatering a flocculated material  
---

2. claim: 36

Method for removing nitrates or phosphates from a slurry  
---

# INTERNATIONAL SEARCH REPORT

Information on patent family members

International application No

PCT/GB2011/000305

Patent document cited in search report	Publication date	Patent family member(s)	Publication date
EP 0591124	A1	06-04-1994	BE 1006209 A3 07-06-1994
			EP 0591124 A1 06-04-1994
-----			
EP 0498037	A1	12-08-1992	EP 0498037 A1 12-08-1992
			IT 1247819 B 02-01-1995
-----			
US 2009294356	A1	03-12-2009	CN 102046256 A 04-05-2011
			US 2009294356 A1 03-12-2009
-----			
GB 2361915	A	07-11-2001	AU 4016501 A 08-11-2001
			CA 2346172 A1 05-11-2001
			CN 1440369 A 03-09-2003
			EP 1286924 A1 05-03-2003
			GB 2361915 A 07-11-2001
			JP 2003532534 A 05-11-2003
			MX PA02010893 A 06-09-2004
			NZ 522437 A 25-06-2004
			US 2001042721 A1 22-11-2001
			WO 0185628 A1 15-11-2001
			ZA 200208976 A 05-11-2003
-----			