

(19) World Intellectual Property Organization
International Bureau



(43) International Publication Date
17 August 2006 (17.08.2006)

PCT

(10) International Publication Number
WO 2006/086063 A3

- (51) International Patent Classification:
A61B 18/14 (2006.01) A61B 17/00 (2006.01)
- (21) International Application Number:
PCT/US2005/045055
- (22) International Filing Date:
14 December 2005 (14.12.2005)
- (25) Filing Language: English
- (26) Publication Language: English
- (30) Priority Data:
11/031,629 8 January 2005 (08.01.2005) US
- (71) Applicant (for all designated States except US): **BOSTON SCIENTIFIC SCIMED, INC.** [US/US]; One Scimed Place, Maple Grove, Minnesota 55311 (US).

AT, AU, AZ, BA, BB, BG, BR, BW, BY, BZ, CA, CH, CN, CO, CR, CU, CZ, DE, DK, DM, DZ, EC, EE, EG, ES, FI, GB, GD, GE, GH, GM, HR, HU, ID, IL, IN, IS, JP, KE, KG, KM, KN, KP, KR, KZ, LC, LK, LR, LS, LT, LU, LV, LY, MA, MD, MG, MK, MN, MW, MX, MZ, NA, NG, NI, NO, NZ, OM, PG, PH, PL, PT, RO, RU, SC, SD, SE, SG, SK, SL, SM, SY, TJ, TM, TN, TR, TT, TZ, UA, UG, US, UZ, VC, VN, YU, ZA, ZM, ZW.

(84) Designated States (unless otherwise indicated, for every kind of regional protection available): ARIPO (BW, GH, GM, KE, LS, MW, MZ, NA, SD, SL, SZ, TZ, UG, ZM, ZW), Eurasian (AM, AZ, BY, KG, KZ, MD, RU, TJ, TM), European (AT, BE, BG, CH, CY, CZ, DE, DK, EE, ES, FI, FR, GB, GR, HU, IE, IS, IT, LT, LU, LV, MC, NL, PL, PT, RO, SE, SI, SK, TR), OAPI (BF, BJ, CF, CG, CI, CM, GA, GN, GQ, GW, ML, MR, NE, SN, TD, TG).

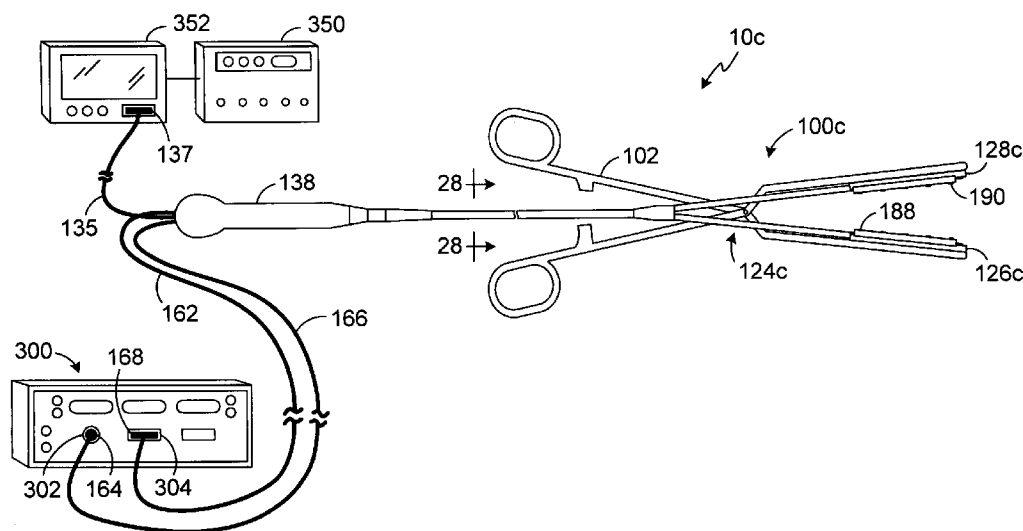
- (72) Inventor: **SWANSON, David, K.**; 1458 Ridgeley Drive, Campbell, California 95008 (US).
- (74) Agent: **SLAVIN, Craig, A.**; Henricks, Slavin & Holmes LLP, 840 Apollo Street, Suite 200, El Segundo, California 90245 (US).
- (81) Designated States (unless otherwise indicated, for every kind of national protection available): AE, AG, AL, AM,

Published:
— with international search report

(88) Date of publication of the international search report:
12 April 2007

For two-letter codes and other abbreviations, refer to the "Guidance Notes on Codes and Abbreviations" appearing at the beginning of each regular issue of the PCT Gazette.

(54) Title: APPARATUS AND METHODS FOR FORMING LESIONS IN TISSUE AND APPLYING STIMULATION ENERGY TO TISSUE IN WHICH LESIONS ARE FORMED



(57) Abstract: An apparatus including a tissue coagulation device that creates a current path And a stimulation electrode carried within the current path. The stimulation electrodes may be used to perform a variety of functions before, during and after lesion formation procedure. For example, to confirm tissue contact, to evaluate the lesion and to confirm whether or not a therapeutical lesion has been formed.

WO 2006/086063 A3

INTERNATIONAL SEARCH REPORT

International application No
PCT/US2005/045055

A. CLASSIFICATION OF SUBJECT MATTER INV. A61B18/14 ADD. A61B17/00		
According to International Patent Classification (IPC) or to both national classification and IPC		
B. FIELDS SEARCHED		
Minimum documentation searched (classification system followed by classification symbols) A61B		
Documentation searched other than minimum documentation to the extent that such documents are included in the fields searched		
Electronic data base consulted during the international search (name of data base and, where practical, search terms used) EPO-Internal, WPI Data		
C. DOCUMENTS CONSIDERED TO BE RELEVANT		
Category*	Citation of document, with indication, where appropriate, of the relevant passages	Relevant to claim No.
Y	US 6 511 480 B1 (TETZLAFF PHILIP M ET AL) 28 January 2003 (2003-01-28) column 1, line 23 - line 61; claims 1,2; figures 1-3	1-22
Y	US 6 663 622 B1 (FOLEY FREDERICK J ET AL) 16 December 2003 (2003-12-16) column 3, line 59 - column 7, line 31; figure 20 column 9, line 57 - column 15, line 18 column 23, line 64 - column 29, line 20	1-22
Y	US 6 010 500 A (SHERMAN ET AL) 4 January 2000 (2000-01-04) column 6, line 7 - line 23 column 7, line 4 - line 40	1-22
	-/--	
<input checked="" type="checkbox"/> Further documents are listed in the continuation of Box C.		
<input checked="" type="checkbox"/> See patent family annex.		
* Special categories of cited documents :		
"A" document defining the general state of the art which is not considered to be of particular relevance	"T" later document published after the international filing date or priority date and not in conflict with the application but cited to understand the principle or theory underlying the invention	
"E" earlier document but published on or after the international filing date	"X" document of particular relevance; the claimed invention cannot be considered novel or cannot be considered to involve an inventive step when the document is taken alone	
"L" document which may throw doubts on priority claim(s) or which is cited to establish the publication date of another citation or other special reason (as specified)	"Y" document of particular relevance; the claimed invention cannot be considered to involve an inventive step when the document is combined with one or more other such documents, such combination being obvious to a person skilled in the art.	
"O" document referring to an oral disclosure, use, exhibition or other means	"&" document member of the same patent family	
"P" document published prior to the international filing date but later than the priority date claimed		
Date of the actual completion of the international search 13 April 2006		Date of mailing of the international search report 27. 10. 2006
Name and mailing address of the ISA/ European Patent Office, P.B. 5818 Patentlaan 2 NL - 2280 HV Rijswijk Tel. (+31-70) 340-2040, Tx. 31 651 epo nl, Fax: (+31-70) 340-3016		Authorized officer SOPELANA MARTINEZ, J

INTERNATIONAL SEARCH REPORT

International application No
PCT/US2005/045055

C(Continuation). DOCUMENTS CONSIDERED TO BE RELEVANT

Category*	Citation of document, with indication, where appropriate, of the relevant passages	Relevant to claim No.
P, Y	US 2005/119654 A1 (SWANSON DAVID K ET AL) 2 June 2005 (2005-06-02) the whole document -----	1-22

INTERNATIONAL SEARCH REPORT

International application No.
PCT/US2005/045055

Box II Observations where certain claims were found unsearchable (Continuation of item 2 of first sheet)

This International Search Report has not been established in respect of certain claims under Article 17(2)(a) for the following reasons:

1. Claims Nos.: 32-38
because they relate to subject matter not required to be searched by this Authority, namely:
Rule 39.1(iv) PCT - Method for treatment of the human or animal body by surgery
2. Claims Nos.:
because they relate to parts of the International Application that do not comply with the prescribed requirements to such an extent that no meaningful International Search can be carried out, specifically:
3. Claims Nos.:
because they are dependent claims and are not drafted in accordance with the second and third sentences of Rule 6.4(a).

Box III Observations where unity of invention is lacking (Continuation of item 3 of first sheet)

This International Searching Authority found multiple inventions in this international application, as follows:

see additional sheet

1. As all required additional search fees were timely paid by the applicant, this International Search Report covers all searchable claims.
2. As all searchable claims could be searched without effort justifying an additional fee, this Authority did not invite payment of any additional fee.
3. As only some of the required additional search fees were timely paid by the applicant, this International Search Report covers only those claims for which fees were paid, specifically claims Nos.:
4. No required additional search fees were timely paid by the applicant. Consequently, this International Search Report is restricted to the invention first mentioned in the claims; it is covered by claims Nos.:

1-22

Remark on Protest

- The additional search fees were accompanied by the applicant's protest.
- No protest accompanied the payment of additional search fees.

FURTHER INFORMATION CONTINUED FROM PCT/ISA/ 210

This International Searching Authority found multiple (groups of) inventions in this international application, as follows:

1. claims: 1-22

An apparatus for use with a clamp comprising a first energy transmission device, a second energy transmission device, both configured to be removably secured to a first and a second clamp member respectively, and a first stimulation electrode located between the first and second energy transmission devices.

2. claims: 23-30

An apparatus comprising a support structure, a tissue coagulation electrode, a resilient structure configured to retain ionic fluid and a stimulation electrode carried by the resilient structure in space relation to, and aligned with, the tissue coagulation electrode.

INTERNATIONAL SEARCH REPORT

Information on patent family members

International application No

PCT/US2005/045055

Patent document cited in search report	Publication date	Patent family member(s)	Publication date
US 6511480	B1	28-01-2003	AU 756626 B2 16-01-2003
			AU 1225700 A 15-05-2000
			CA 2347014 A1 04-05-2000
			DE 69929230 T2 24-08-2006
			EP 1123058 A1 16-08-2001
			ES 2251260 T3 16-04-2006
			JP 2002528166 T 03-09-2002
			WO 0024330 A1 04-05-2000

US 6663622	B1	16-12-2003	AU 3683101 A 20-08-2001
			CA 2397370 A1 16-08-2001
			EP 1253867 A1 06-11-2002
			WO 0158373 A1 16-08-2001
			US 2002143326 A1 03-10-2002
			US 2004073206 A1 15-04-2004

US 6010500	A	04-01-2000	NONE

US 2005119654	A1	02-06-2005	WO 2005060852 A1 07-07-2005
