



US0D1075950S

(12) **United States Design Patent**  
**Chen**

(10) **Patent No.:** **US D1,075,950 S**

(45) **Date of Patent:** **\*\* May 20, 2025**

(54) **TOY**  
(71) Applicant: **Canhao Chen**, Shantou (CN)  
(72) Inventor: **Canhao Chen**, Shantou (CN)  
(\*\*) Term: **15 Years**  
(21) Appl. No.: **29/981,545**  
(22) Filed: **Dec. 31, 2024**

D975,444 S \* 1/2023 Wang ..... D3/901  
D977,595 S 2/2023 Cai  
D994,794 S 8/2023 Lee  
D1,004,277 S \* 11/2023 Chen ..... D3/243  
D1,004,961 S \* 11/2023 Xie ..... D3/901  
D1,020,236 S \* 4/2024 Chen ..... D3/901  
D1,024,553 S \* 4/2024 Sakai ..... D19/111  
D1,025,492 S \* 4/2024 Chen ..... D3/205  
D1,026,461 S \* 5/2024 Sakai ..... D19/111  
D1,031,260 S \* 6/2024 Chen ..... D3/901  
D1,055,516 S \* 12/2024 Xie ..... D3/901

\* cited by examiner

(30) **Foreign Application Priority Data**

Dec. 17, 2024 (CN) ..... 202430800136.5

(51) **LOC (15) Cl.** ..... **21-01**

(52) **U.S. Cl.**  
USPC ..... **D21/483**; D3/271.1; D28/79

(58) **Field of Classification Search**  
USPC ..... D21/483, 658; D28/73, 79; D3/271.1,  
D3/283, 901  
CPC ..... A63H 33/00; A45D 40/22; A45D 40/24;  
A45D 33/00; A45D 33/006; A45D 33/18;  
A45D 34/06; A45D 2040/0012  
See application file for complete search history.

*Primary Examiner* — Cynthia M. Chin

(74) *Attorney, Agent, or Firm* — Birchwood IP

(56) **References Cited**

**U.S. PATENT DOCUMENTS**

D467,138 S \* 12/2002 Stanphill ..... D3/271.3  
D611,656 S \* 3/2010 Lai ..... D28/79  
D919,891 S \* 5/2021 Huang ..... D3/901  
D962,546 S \* 8/2022 Fang ..... D3/901  
D963,339 S \* 9/2022 Cai ..... D3/903  
D967,629 S \* 10/2022 Wang ..... D3/901  
D974,493 S \* 1/2023 Huang ..... D21/532  
D975,443 S \* 1/2023 Lin ..... D3/901

(57) **CLAIM**

The ornamental design for a toy, as shown and described.

**DESCRIPTION**

FIG. 1 is a front, right and top perspective view of a toy, showing my new design;  
FIG. 2 is a rear, left and bottom perspective view thereof;  
FIG. 3 is a front view thereof;  
FIG. 4 is a rear view thereof;  
FIG. 5 is a left side view thereof;  
FIG. 6 is a right side view thereof;  
FIG. 7 is a top plan view thereof;  
FIG. 8 is a bottom plan view thereof;  
FIG. 9 is a front, right side and top perspective view of the unfolded state; and,  
FIG. 10 is a rear, left and bottom perspective view of the unfolded state.

**1 Claim, 10 Drawing Sheets**

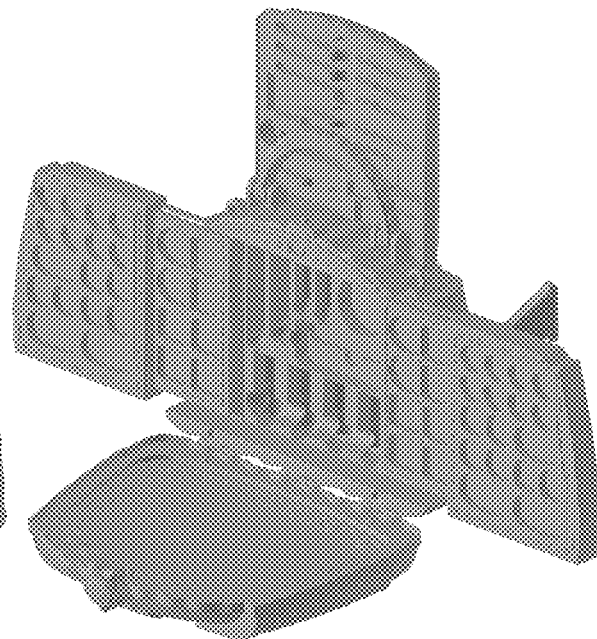
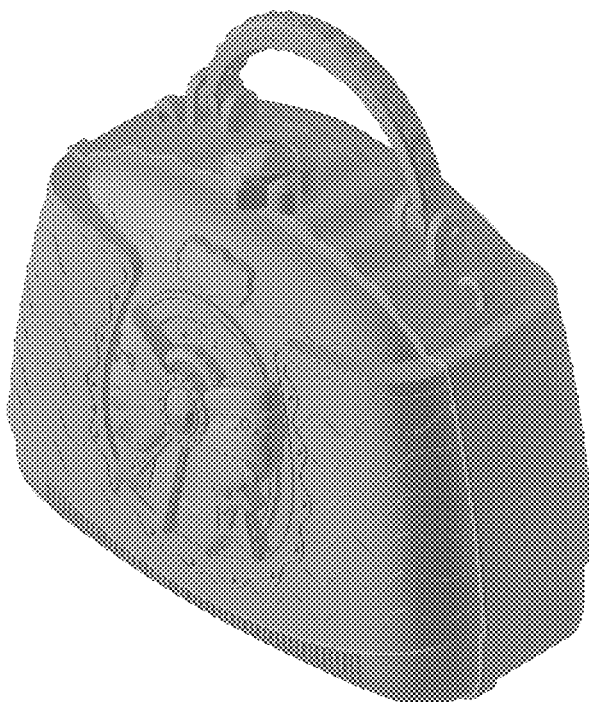




FIG. 1



FIG. 2



FIG. 3



FIG. 4

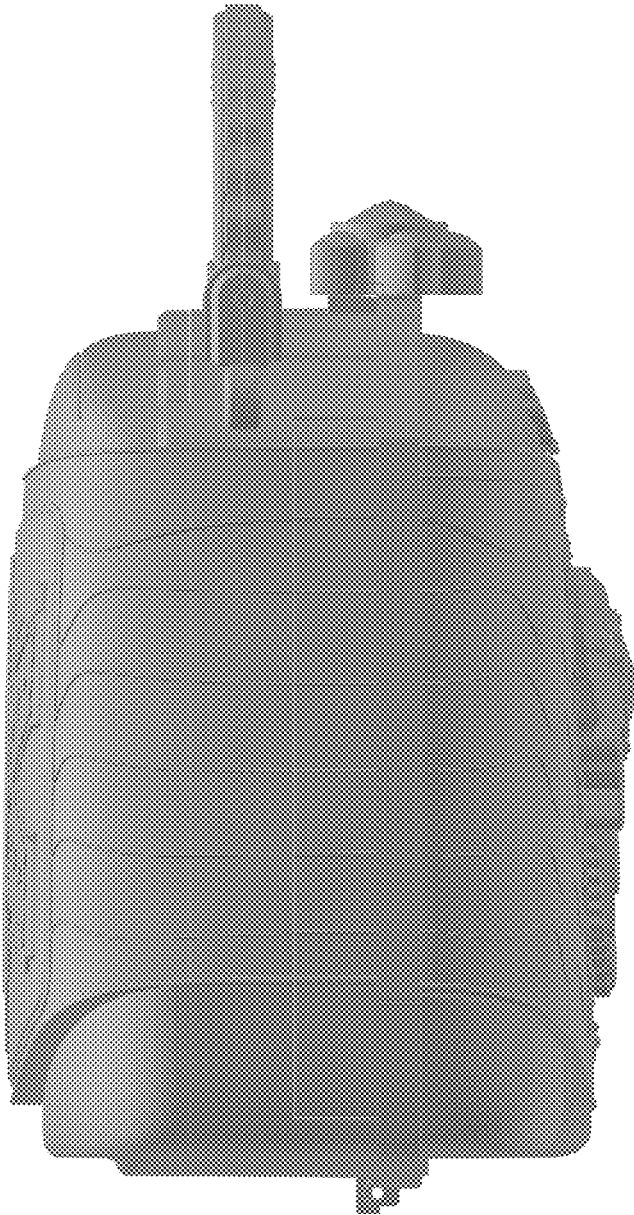


FIG. 5

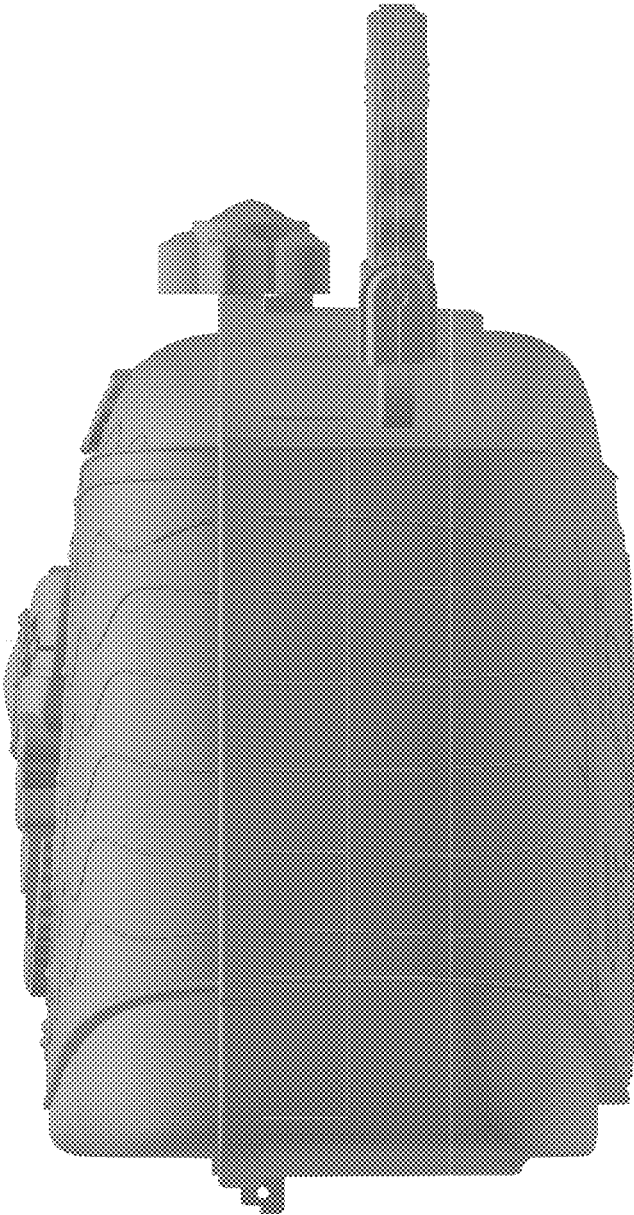


FIG. 6

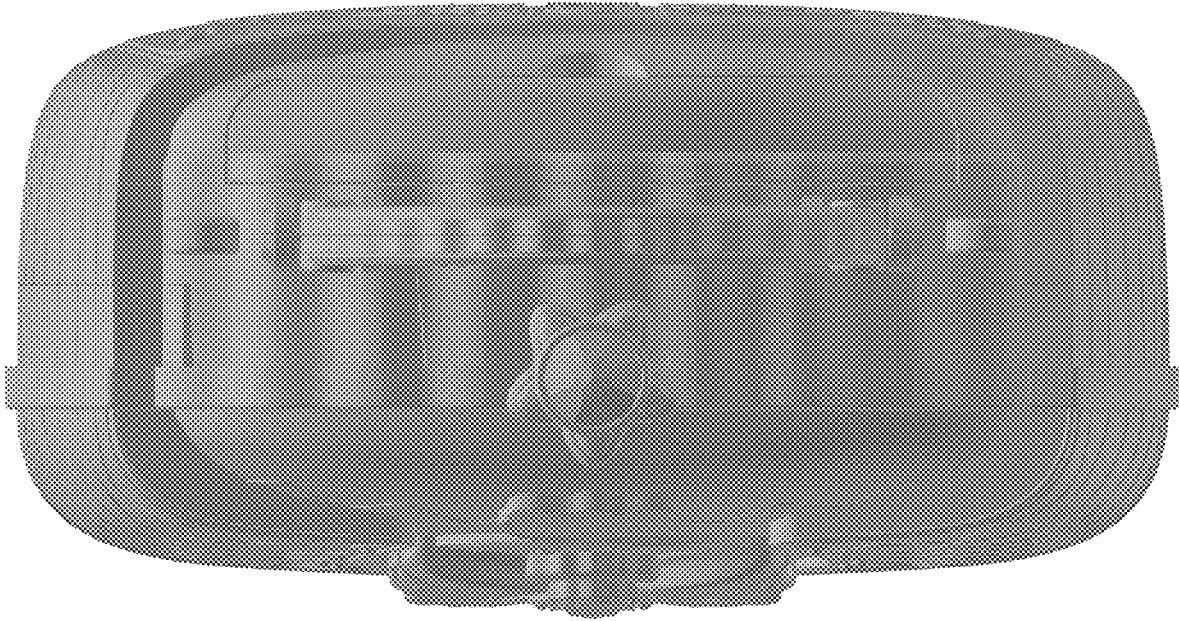


FIG. 7

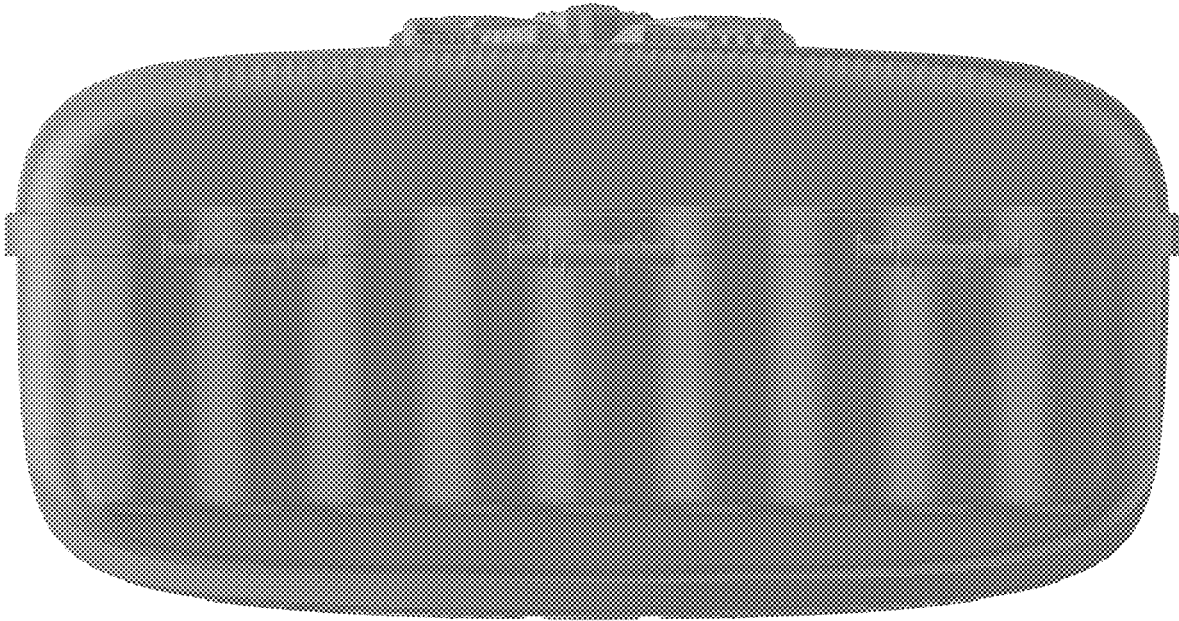


FIG. 8

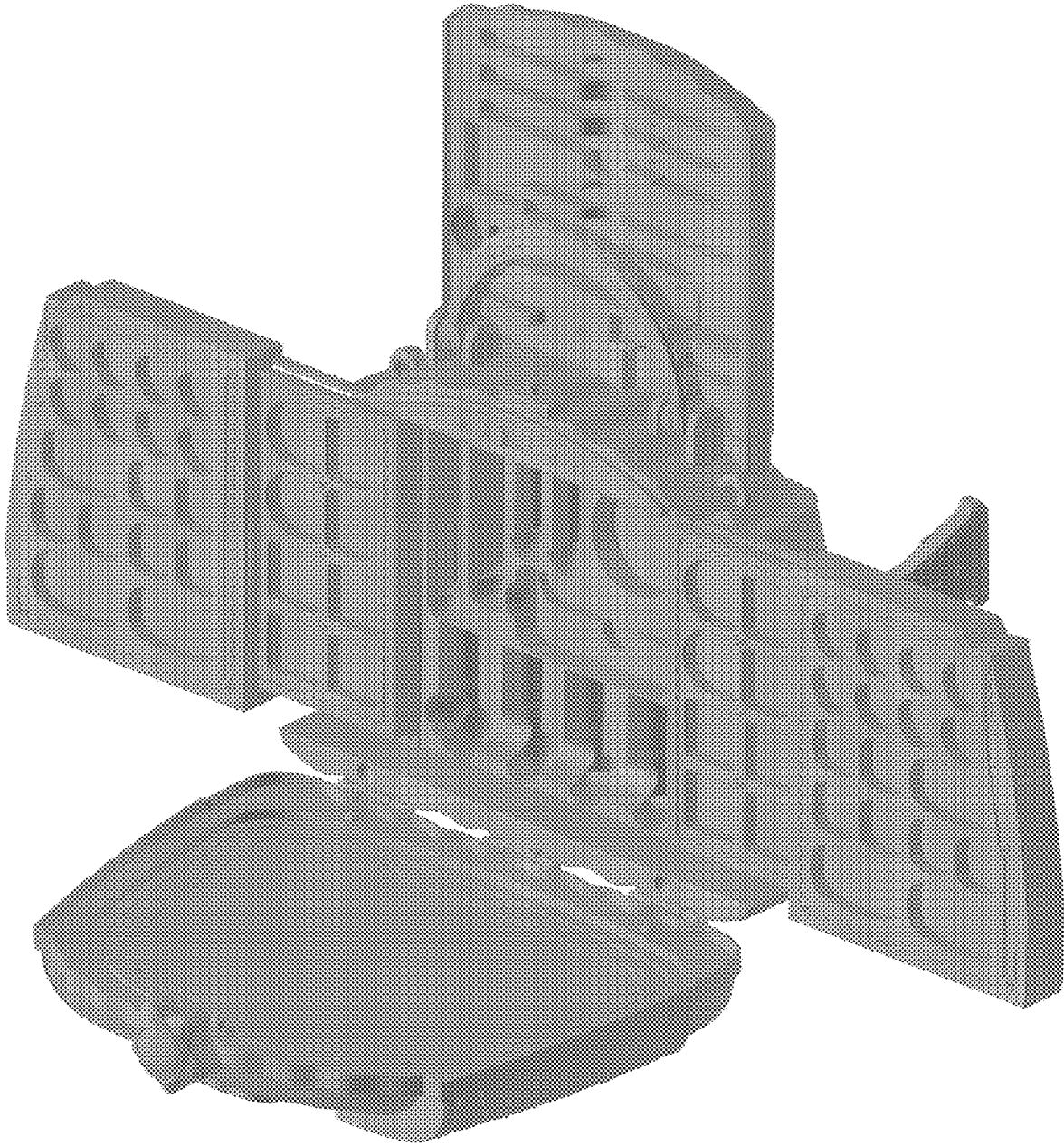


FIG. 9

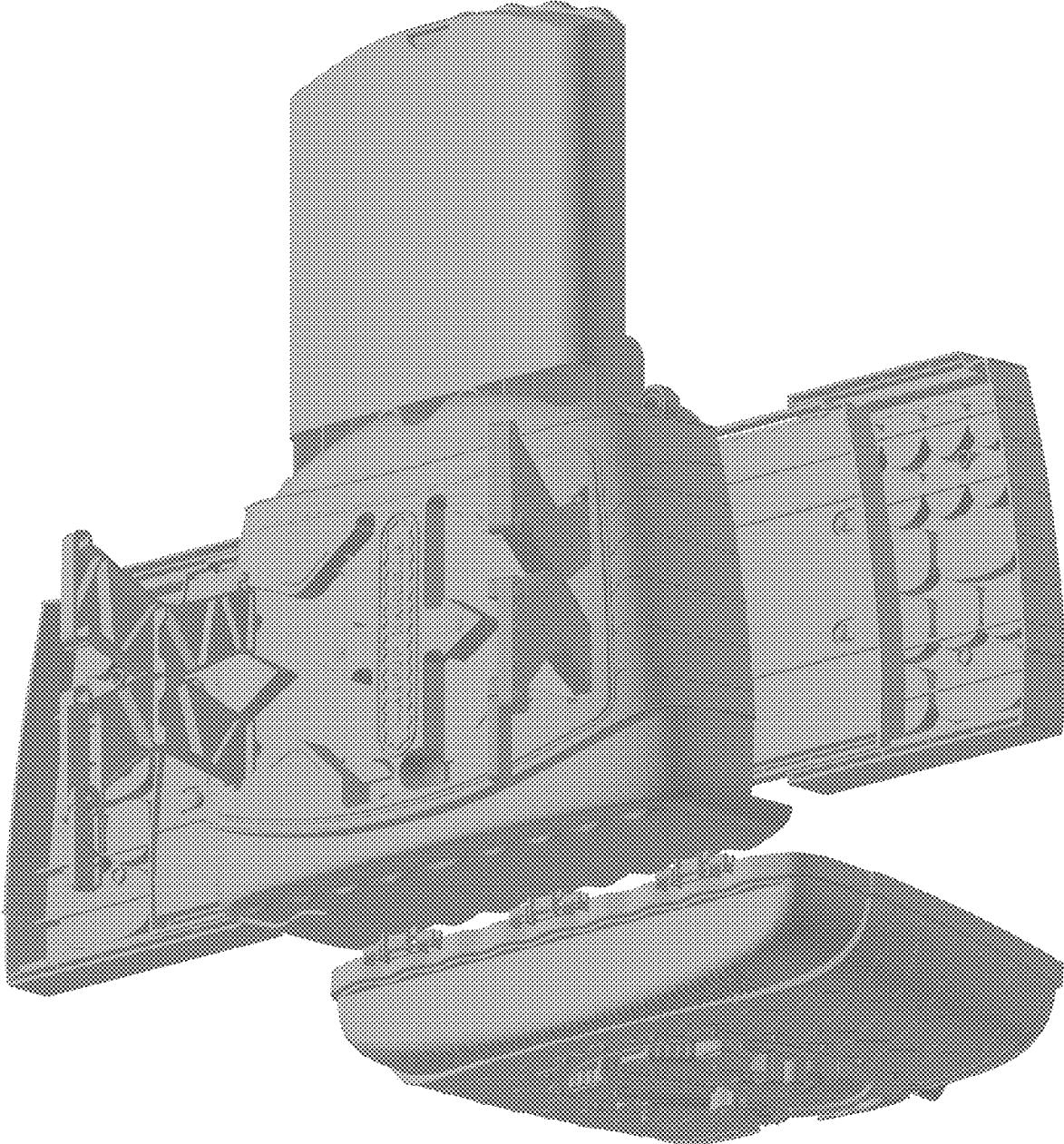


FIG. 10