



US0D1015035S

(12) **United States Design Patent**
Dai

(10) **Patent No.:** **US D1,015,035 S**

(45) **Date of Patent:** **** Feb. 20, 2024**

(54) **DRAWER UNIT**

(71) Applicant: **ShenZhen YiHong Technology Co., LTD**, Guangdong (CN)

(72) Inventor: **Yi Dai**, ShenZhen (CN)

(73) Assignee: **ShenZhen YiHong Technology CO., LTD**, ShenZhen (CN)

(**) Term: **15 Years**

(21) Appl. No.: **29/899,799**

(22) Filed: **Aug. 13, 2023**

(51) **LOC (14) Cl.** **03-01**

(52) **U.S. Cl.**
USPC **D3/297**

(58) **Field of Classification Search**

USPC D3/201, 273, 281, 297, 319; D6/627, D6/657, 663, 705
CPC B65D 11/12; B65D 11/26; B65D 25/282; B65D 5/38; B65D 5/4295; B65D 5/46072; B65D 21/0223; A47B 88/9418; A47B 2210/19

See application file for complete search history.

(56) **References Cited**

U.S. PATENT DOCUMENTS

D243,900 S *	4/1977	Boyd	D3/297
D263,100 S *	2/1982	Thompson	D18/59
D263,777 S *	4/1982	Thompson	D6/663
D328,399 S *	8/1992	McGrory	D3/297
5,407,074 A *	4/1995	Brightbill	B65D 21/0223 206/508
D358,727 S	5/1995	Dickinson et al.		
D362,567 S	9/1995	Licari		
D372,378 S *	8/1996	Kruger	D6/663

(Continued)

OTHER PUBLICATIONS

“Stori Audrey Stackable Clear Bin Plastic Organizer Drawer | Organize Eyeshadow Palettes, Cosmetics, and Beauty Supplies on

a Vanity”. Manufactured by “US Acrylic”; First available on Aug. 9, 2020; Site visited on Aug. 13, 2023, with link below (printout attached with submission): https://www.amazon.com/STORi-Audrey-Stackable-Cosmetic-Organizer/dp/B08FHBTS LX/ref=zg_bs_g_13861693011_sec1_48/130-0803189-2722455?th=1.

(Continued)

Primary Examiner — Steven J Czyz

(74) *Attorney, Agent, or Firm* — iPA & iPM

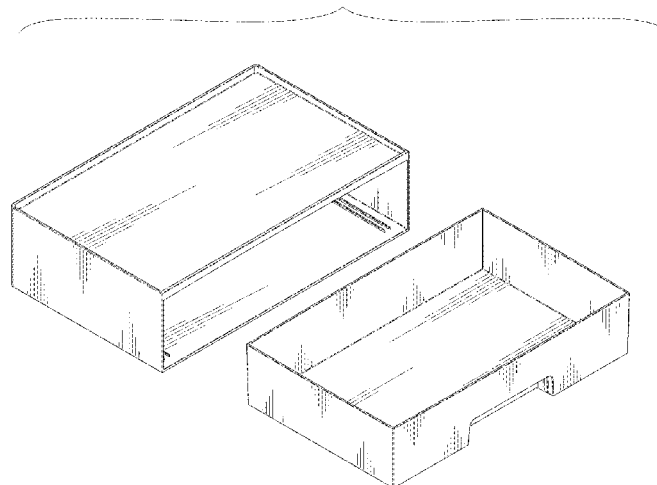
(57) **CLAIM**

The ornamental design for a drawer unit, as shown and described.

DESCRIPTION

FIG. 1 is a top perspective view of a drawer unit showing my new design, wherein the drawer unit is shown with the inner container out of the housing;
FIG. 2 is a perspective view of the housing;
FIG. 3 is a perspective view from below thereof;
FIG. 4 is a front view thereof;
FIG. 5 is a back view thereof;
FIG. 6 is a left side view thereof;
FIG. 7 is a right side view thereof;
FIG. 8 is a top view thereof;
FIG. 9 is a bottom view thereof;
FIG. 10 is a perspective view of the inner container;
FIG. 11 is a perspective view from below thereof;
FIG. 12 is a front view thereof;
FIG. 13 is a back view thereof;
FIG. 14 is a left side view thereof;
FIG. 15 is a right side view thereof;
FIG. 16 is a top view thereof;
FIG. 17 is a bottom view thereof;
FIG. 18 is a perspective view of the drawer unit with the inner container completely enclosed by the housing; and
FIG. 19 is a top perspective view of a second embodiment of the drawer unit, wherein the drawer unit is shown with the inner container out of the housing.

1 Claim, 11 Drawing Sheets



(56)

References Cited

U.S. PATENT DOCUMENTS

5,673,796 A * 10/1997 Tulloch B65D 5/4216
206/769
5,680,957 A * 10/1997 Liu A47B 87/0284
220/663
5,957,558 A * 9/1999 Quade A47B 88/48
312/246
D439,743 S * 4/2001 DeVance D3/297
D518,708 S * 4/2006 Ohayon D6/705
7,249,674 B2 * 7/2007 Mu B65D 5/38
206/278
D590,710 S * 4/2009 Mittelstaedt D3/297
D599,589 S * 9/2009 Cassel D3/297
D610,001 S * 2/2010 McAlpine D6/705
D611,342 S * 3/2010 McAlpine D3/297
D634,564 S * 3/2011 Licari D6/657
D670,111 S * 11/2012 McNamara D6/705
D674,213 S * 1/2013 Hertaus D6/663
D708,875 S * 7/2014 McNamara D6/705
D726,819 S * 4/2015 Botha D19/75
D740,026 S * 10/2015 Yamamoto D3/297
D740,027 S * 10/2015 Yamamoto D3/297
D740,563 S * 10/2015 Yamamoto D3/297
D778,647 S * 2/2017 Snider D6/705.6
D785,326 S * 5/2017 Yamamoto D3/297
D785,328 S * 5/2017 Yamamoto D3/297
D785,329 S * 5/2017 Yamamoto D3/297
9,863,167 B1 * 1/2018 Garrett B60R 7/087
D838,516 S * 1/2019 Bitton D6/671
D841,327 S * 2/2019 Hsu D3/297
D848,739 S * 5/2019 Hsu D3/297
D854,830 S * 7/2019 Criste et al.
D855,321 S * 8/2019 Yamamoto D3/297
D878,197 S * 3/2020 Griffin D9/414
D899,773 S * 10/2020 Hu D3/304
D900,476 S * 11/2020 McBride D3/319

D922,147 S * 6/2021 Joseph
11,203,466 B2 * 12/2021 Kobayashi B65D 21/0222
11,259,634 B1 * 3/2022 Chen A47B 57/12
D969,486 S * 11/2022 Hu D3/273
D974,083 S * 1/2023 Ma D6/663
D976,653 S * 1/2023 Zhong D7/703
D977,837 S * 2/2023 Dai A47B 88/9418
D3/298
D988,719 S * 6/2023 Wang D99/28
D990,169 S * 6/2023 Song D3/294
D990,170 S * 6/2023 Song D3/294
D990,952 S * 7/2023 Dai D6/705
D993,696 S * 8/2023 Zhang D6/705
D997,557 S * 9/2023 Dai D3/297
2007/0039840 A1 * 2/2007 Mu B65D 5/4295
206/278
2007/0257587 A1 * 11/2007 Jackson A47B 67/04
312/330.1
2015/0008814 A1 * 1/2015 Yamamoto A47B 87/0292
312/334.27
2015/0102717 A1 * 4/2015 Furr F25D 25/025
312/404
2023/0142977 A1 * 5/2023 Dai B65D 11/26
220/23.87

OTHER PUBLICATIONS

“MDesign Wide Plastic Stackable Closet Storage Organizer Bins with Front Pull Out Drawer for Cabinet, Desk, Shelf, Cupboard, Vanity or Dresser Organization—Lumiere Collection—2 Pack—Clear”; Manufactured by MetroDecor; First Available May 4, 2023; Visited on Aug. 13, 2023, with link below (printout attached with submission): https://www.amazon.com/mDesign-Stackable-Organizer-Cupboard-Organization/dp/B0C4B82N1Y?ref_=ast_sto_dp&th=1.

* cited by examiner

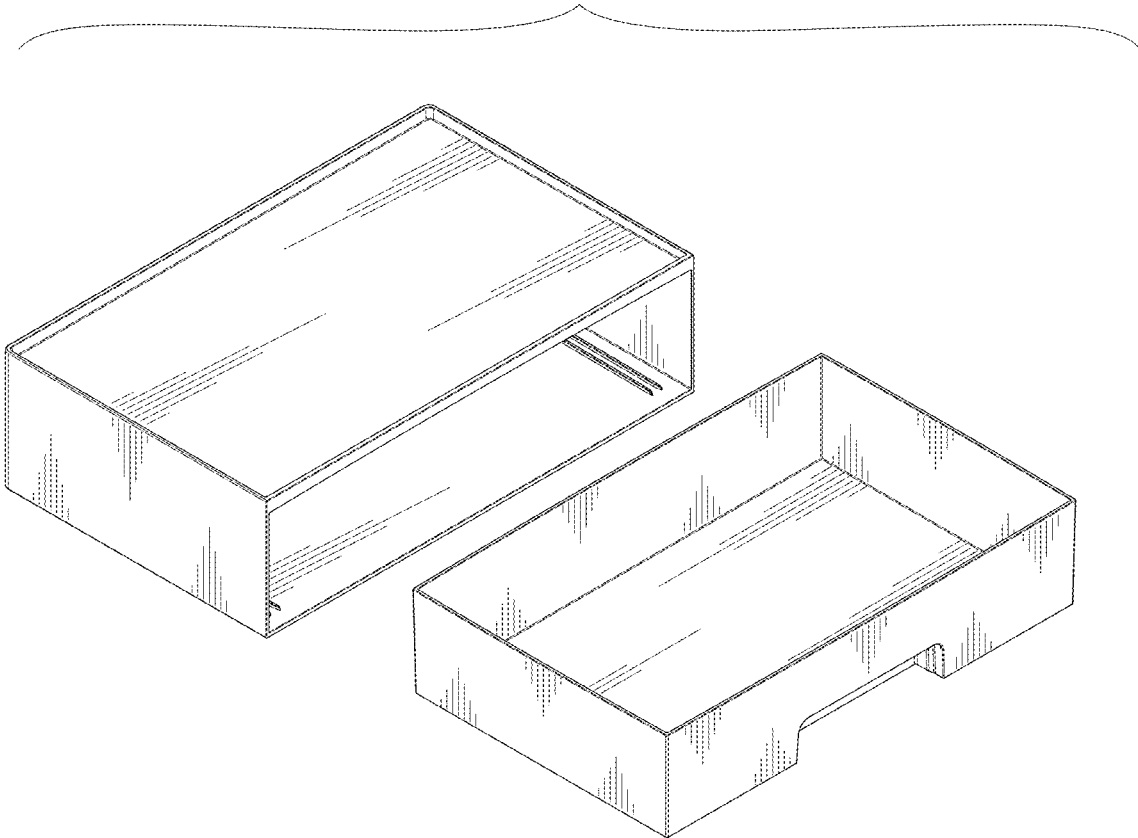


FIG.1

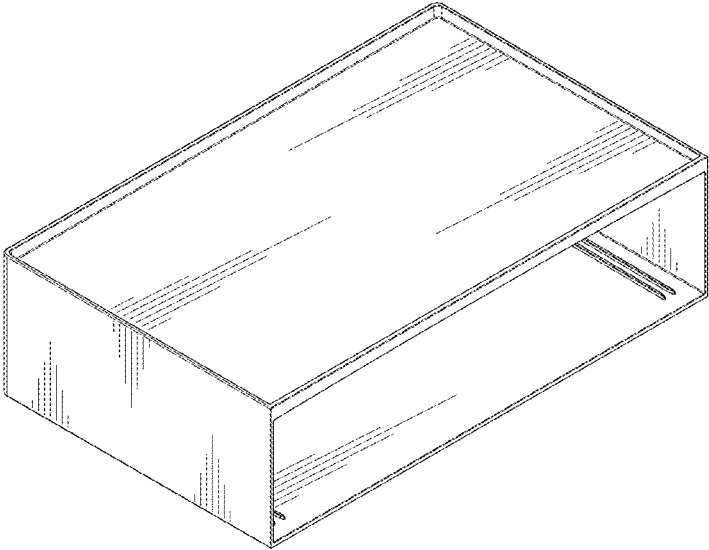


FIG.2

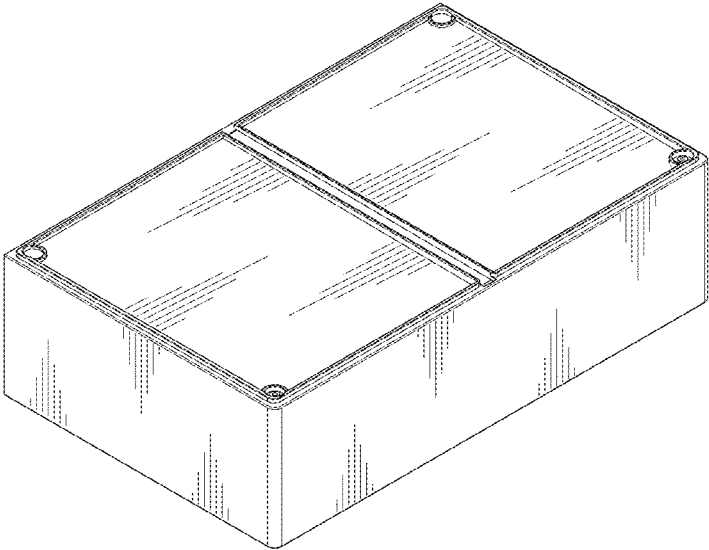


FIG.3

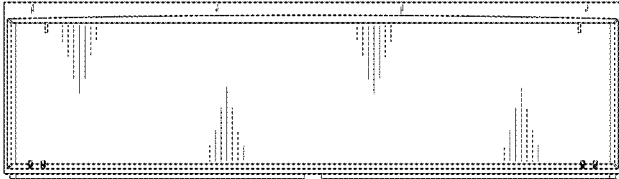


FIG.4

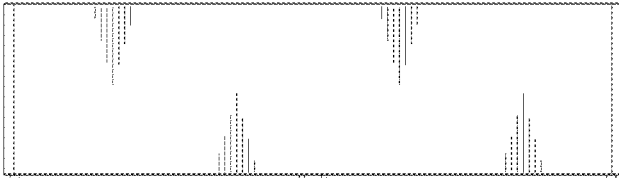


FIG.5

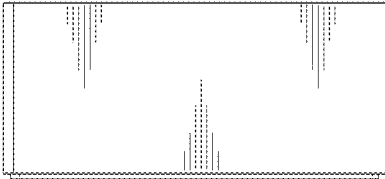


FIG.6

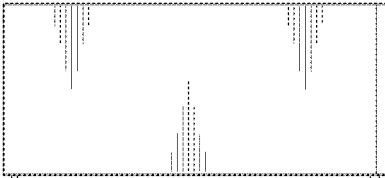


FIG.7

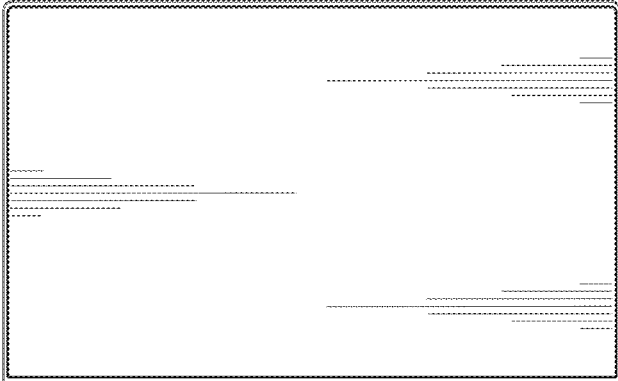


FIG.8

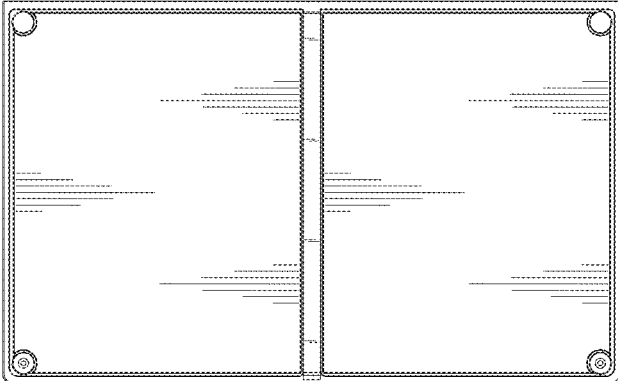


FIG.9

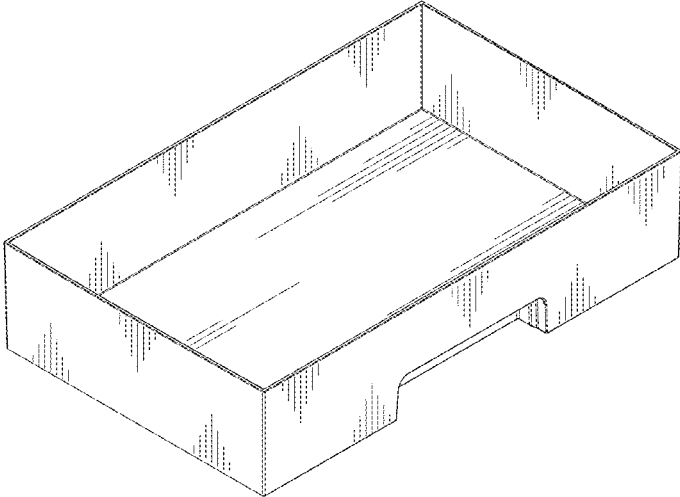


FIG.10

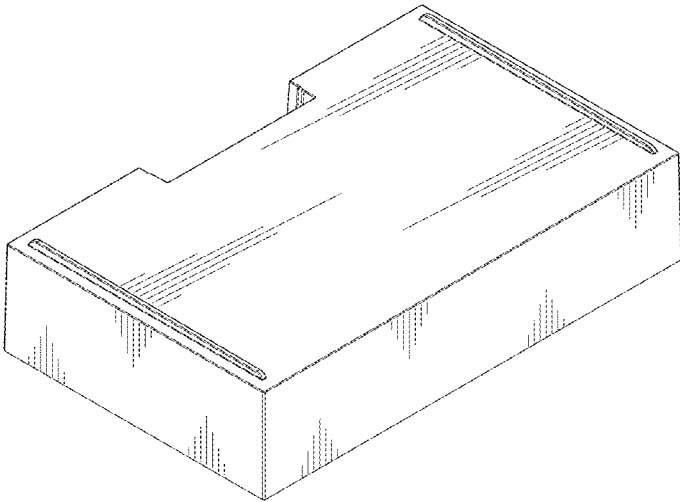


FIG.11

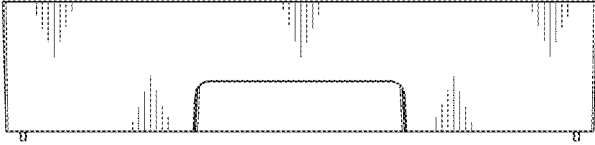


FIG.12

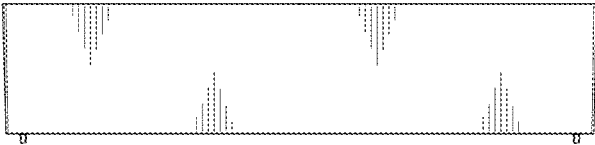


FIG.13

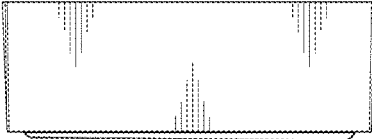


FIG.14

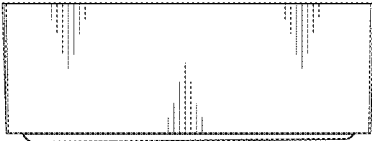


FIG.15

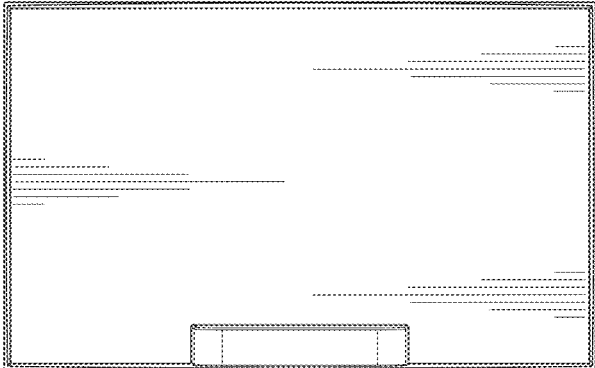


FIG.16

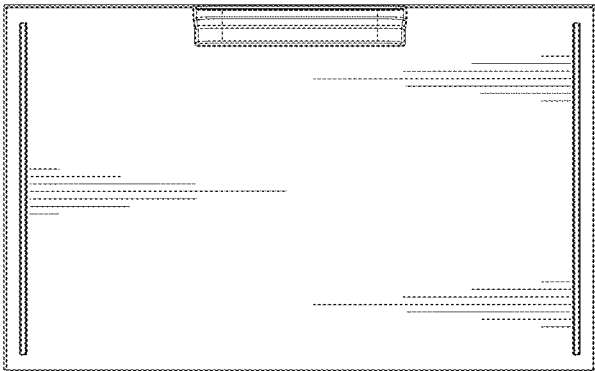


FIG.17

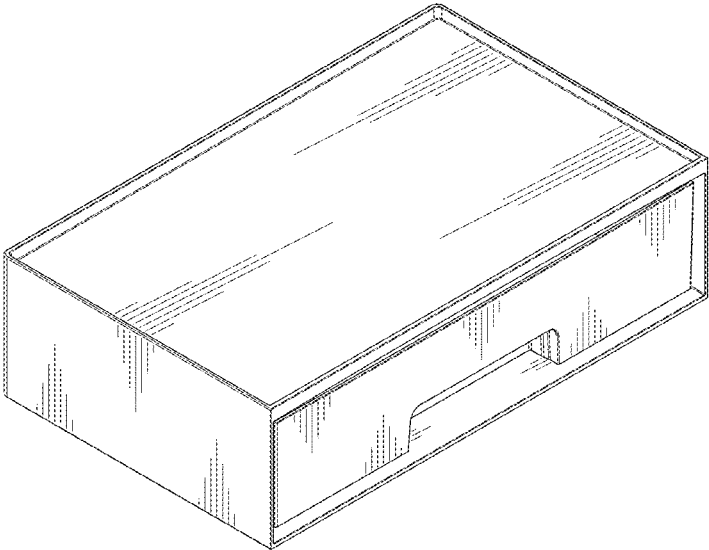


FIG.18

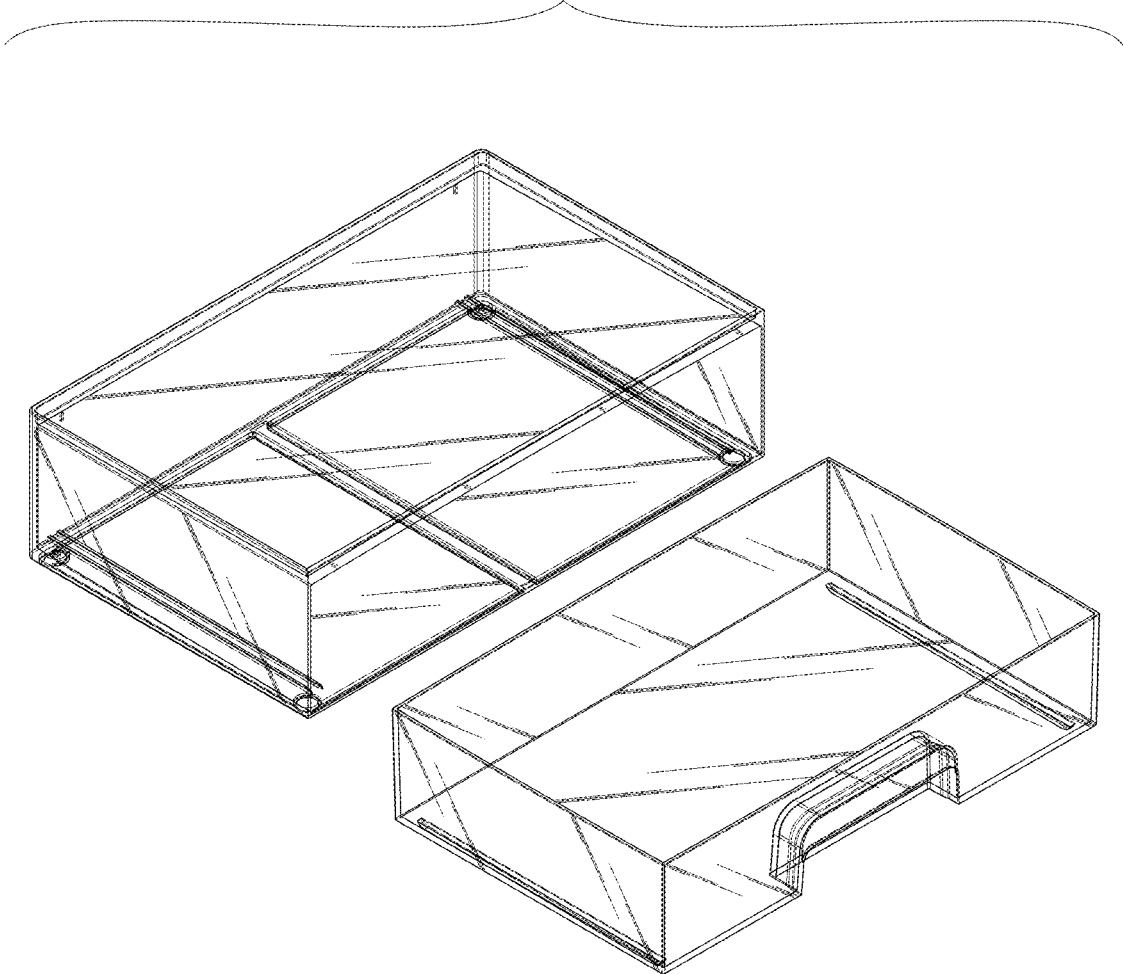


FIG.19