

(19) World Intellectual Property Organization
International Bureau



(43) International Publication Date
6 August 2009 (06.08.2009)

(10) International Publication Number
WO 2009/097556 A3

(51) International Patent Classification:

A61B 17/04 (2006.01) A61B 17/03 (2006.01)
A61B 17/064 (2006.01)

(21) International Application Number:

PCT/US2009/032693

(22) International Filing Date:

30 January 2009 (30.01.2009)

(25) Filing Language:

English

(26) Publication Language:

English

(30) Priority Data:

61/006,777 30 January 2008 (30.01.2008) US

(71) Applicant (for all designated States except US): ANGIOTECH PHARMACEUTICALS, INC. [CA/CA]; 1618 Station Street, Vancouver, British Columbia V6A 1B6 (CA).

(72) Inventor; and

(75) Inventor/Applicant (for US only): KOZLOWSKI, Martin J. [US/US]; 15145 Kutztown Road, Kutztown, PA 19530 (US).

(74) Agents: MCMASTERS, David, D. et al.; Angiotech, P.O. Box 2840, North Bend, WA 98045 (US).

(81) Designated States (unless otherwise indicated, for every kind of national protection available): AE, AG, AL, AM,

AO, AT, AU, AZ, BA, BB, BG, BH, BR, BW, BY, BZ, CA, CH, CN, CO, CR, CU, CZ, DE, DK, DM, DO, DZ, EC, EE, EG, ES, FI, GB, GD, GE, GH, GM, GT, HN, HR, HU, ID, IL, IN, IS, JP, KE, KG, KM, KN, KP, KR, KZ, LA, LC, LK, LR, LS, LT, LU, LY, MA, MD, ME, MG, MK, MN, MW, MX, MY, MZ, NA, NG, NI, NO, NZ, OM, PG, PH, PL, PT, RO, RS, RU, SC, SD, SE, SG, SK, SL, SM, ST, SV, SY, TJ, TM, TN, TR, TT, TZ, UA, UG, US, UZ, VC, VN, ZA, ZM, ZW.

(84) Designated States (unless otherwise indicated, for every kind of regional protection available): ARIPO (BW, GH, GM, KE, LS, MW, MZ, NA, SD, SL, SZ, TZ, UG, ZM, ZW), Eurasian (AM, AZ, BY, KG, KZ, MD, RU, TJ, TM), European (AT, BE, BG, CH, CY, CZ, DE, DK, EE, ES, FI, FR, GB, GR, HR, HU, IE, IS, IT, LT, LU, LV, MC, MK, MT, NL, NO, PL, PT, RO, SE, SI, SK, TR), OAPI (BF, BJ, CF, CG, CI, CM, GA, GN, GQ, GW, ML, MR, NE, SN, TD, TG).

Published:

- with international search report (Art. 21(3))
- before the expiration of the time limit for amending the claims and to be republished in the event of receipt of amendments (Rule 48.2(h))

(88) Date of publication of the international search report:

22 October 2009

(54) Title: APPARATUS AND METHOD FOR FORMING SELF-RETAINING SUTURES

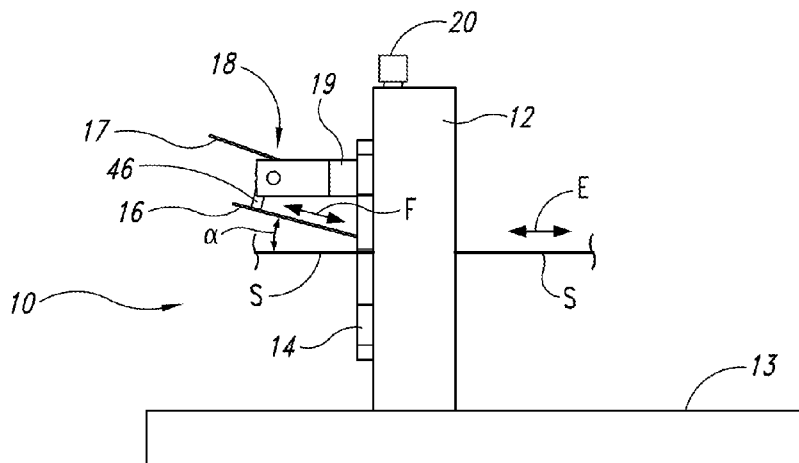


Fig. 1B

(57) Abstract: An apparatus and method for cutting retainers on a continuous strand is provided. The apparatus may include a rotary head member configured to be rotatably driven about a longitudinal axis. The rotary head member may include a center hole substantially coincident with the longitudinal axis and configured to receive the strand. A retainer forming member may be supported on the rotary head member and may include a cutting edge directed substantially inward toward the longitudinal axis. When the rotary head member rotates about the longitudinal axis and the strand is continuously pulled through the center hole along the longitudinal axis, the cutting edge may intermittently or continuously cuts retainers about an outer surface of the strand.



WO 2009/097556 A3

A. CLASSIFICATION OF SUBJECT MATTER*A61B 17/04(2006.01)i, A61B 17/064(2006.01)i, A61B 17/03(2006.01)i*

According to International Patent Classification (IPC) or to both national classification and IPC

B. FIELDS SEARCHED

Minimum documentation searched (classification system followed by classification symbols)

IPC A61B

Documentation searched other than minimum documentation to the extent that such documents are included in the fields searched

Korean Utility models and applications for Utility models since 1975

Japanese Utility models and applications for Utility models since 1975

Electronic data base consulted during the international search (name of data base and, where practicable, search terms used)

eKOMPASS(KPA, PAJ, FPD, USPATFULL) in KIPO, CA online & keywords: surgical retractor, hip replacement, instrument handle

C. DOCUMENTS CONSIDERED TO BE RELEVANT

Category*	Citation of document, with indication, where appropriate, of the relevant passages	Relevant to claim No.
X A	US 2007-0187861 A1 (GENOVA et al.) 16 August 2007 See the abstract; paragraphs [0056],[0075],[0076],[0078]-[0081]; figures 19, 20, 21A-C, 22; claims 1-5, 9, 42, 50	28-30 1-27, 31,32
A	US 2007-0065663 A1 (TRULL et al.) 22 March 2007 See the abstract; paragraphs [0012],[0013],[0054]-[0057],[0089],[0092],[0094],[0095]; figure 10, 34; claims 4, 5, 28, 29	1-32
A	US 2007-0257395 A1 (LINDH et al.) 08 November 2007 See the abstract; paragraphs [0034],[0035],[0040]; figures 2a-2c, 5a, 5b; claims 10, 11, 14, 15	1-32
A	US 05931855 A (BUNCHE) 03 August 1999 See the abstract; column 8, lines 20-57; figures 13-16	1-32
A	US 03720055 A (DE MESTRAL et al.) 13 March 1973 See the abstract; column 1, line 62-column 2, line 31; figures 1, 3, 4; claim 1	1-32
X A	US 2007-0005110 A1 (COLLIER et al.) 04 January 2007 See the abstract; paragraphs [0021],[0022]; figures 1, 2a-2c, 3; claims 22-29	28-30 1-27, 31,32

 Further documents are listed in the continuation of Box C. See patent family annex.

* Special categories of cited documents:

"A" document defining the general state of the art which is not considered to be of particular relevance

"E" earlier application or patent but published on or after the international filing date

"L" document which may throw doubts on priority claim(s) or which is cited to establish the publication date of citation or other special reason (as specified)

"O" document referring to an oral disclosure, use, exhibition or other means

"P" document published prior to the international filing date but later than the priority date claimed

"T" later document published after the international filing date or priority date and not in conflict with the application but cited to understand the principle or theory underlying the invention

"X" document of particular relevance; the claimed invention cannot be considered novel or cannot be considered to involve an inventive step when the document is taken alone

"Y" document of particular relevance; the claimed invention cannot be considered to involve an inventive step when the document is combined with one or more other such documents, such combination being obvious to a person skilled in the art

"&" document member of the same patent family

Date of the actual completion of the international search

25 AUGUST 2009 (25.08.2009)

Date of mailing of the international search report

26 AUGUST 2009 (26.08.2009)

Name and mailing address of the ISA/KR

Korean Intellectual Property Office
Government Complex-Daejeon, 139 Seonsa-ro, Seo-
gu, Daejeon 302-701, Republic of Korea

Facsimile No. 82-42-472-7140

Authorized officer

Jang, Ki Wan

Telephone No. 82-42-481-5567



INTERNATIONAL SEARCH REPORT

Information on patent family members

International application No.

PCT/US2009/032693

Patent document cited in search report	Publication date	Patent family member(s)	Publication date
US 2007-0187861 A1	16.08.2007	AU 2002-356136 A2	10.03.2003
		AU 2002-356136 A2	29.08.2002
		AU 2002-356136 B2	29.08.2002
		CA 2632145 A1	06.03.2003
		CA 2457384 A1	06.03.2003
		CA 2457384 C	18.11.2008
		CN 1322840 C	27.06.2007
		CN 1547455 C0	17.11.2004
		CN 1547455 A	17.11.2004
		EP 1429664 B1	28.03.2007
		EP 1429664 A2	23.06.2004
		EP 1803405 A1	04.07.2007
		JP 2005-500119 A	06.01.2005
		KR 10-2004-0041593 A	17.05.2004
		US 06848152 B2	01.02.2005
		US 07225512 B2	05.06.2007
		US 2003-0041426 A1	06.03.2003
		US 2004-0237736 A1	02.12.2004
		WO 2003-017850 A2	06.03.2003
		WO 2003-017850 A3	06.03.2003
US 2007-0065663 A1	22.03.2007	AU 2004-238371 A1	25.11.2004
		AU 2004-238371 A2	25.11.2004
		AU 2004-238371 A1	13.05.2004
		AU 2004-238371 A2	13.05.2004
		CA 2525579 A1	25.11.2004
		EP 1622518 A2	08.02.2006
		US 2004-0226427 A1	18.11.2004
		WO 2004-100801 A2	25.11.2004
		WO 2004-100801 A3	25.11.2004
US 2007-0257395 A1	08.11.2007	WO 2007-131019 A2	15.11.2007
		WO 2007-131019 A3	15.11.2007
US 05931855 A	03.08.1999	AU 1998-75900 B2	21.05.1998
		AU 743056 B2	17.01.2002
		CA 2290533 A1	26.11.1998
		EP 0991359 A4	08.08.2001
		EP 1891903 A1	27.02.2008
		EP 1656890 B1	10.12.2008
		EP 0991359 A1	12.04.2000
		EP 0991359 B1	07.11.2007
		EP 1656890 A2	17.05.2006
		EP 1656890 A3	02.08.2006
		WO 1998-052473 A1	26.11.1998
US 03720055 A	13.03.1973	NONE	

INTERNATIONAL SEARCH REPORT

Information on patent family members

International application No.

PCT/US2009/032693

Patent document cited in search report	Publication date	Patent family member(s)	Publication date
US 2007-0005110 A1	04.01.2007	AU 2006-266242 A1	11.01.2007
		AU 2006-266242 A1	21.06.2006
		CA 2613839 A1	11.01.2007
		CN 101296661 A	29.10.2008
		CN 101296661 A0	29.10.2008
		EP 1895913 A1	12.03.2008
		JP 2009-500074 A	08.01.2009
		KR 10-2008-0039345 A	07.05.2008
		WO 2007-005296 A1	11.01.2007