



US00D634883S

(12) **United States Design Patent**
Kim et al.

(10) **Patent No.:** **US D634,883 S**

(45) **Date of Patent:** **** Mar. 22, 2011**

(54) **LENS FOR LED LAMP**

(75) Inventors: **Eunhwa Kim**, Uiwang (KR); **Dong Nyung Lim**, Anyang (KR)

(73) Assignee: **LG Innotek Co., Ltd.**, Seoul (KR)

(**) Term: **14 Years**

(21) Appl. No.: **29/362,533**

(22) Filed: **May 27, 2010**

(30) **Foreign Application Priority Data**

Apr. 10, 2010 (KR) 30-2010-0015946

(51) **LOC (9) Cl.** **26-99**

(52) **U.S. Cl.** **D26/120**

(58) **Field of Classification Search** D26/85,
D26/133, 134, 136, 122, 138, 118, 124, 69,
D26/68, 67, 71, 125, 149, 147, 156, 94, 73,
D26/32, 47, 57, 152, 74, 142, 2, 140, 60,
D26/51, 38, 135, 119; D8/71, 72, 395, 328;
D19/65, 90; 248/206.5, 389, 229.13, 229.15;
D32/8, 55, 58; 211/106, 119.01, 119.09,
211/85.15; 439/540.1; 362/183, 249.01–249.11,
362/356, 365, 523, 190, 191, 351, 352, 357,
362/358; D24/99, 327, 134, 227; D2/624;
24/316, 306, 339, 3.1, 3.11, 3.12; D6/557,
D6/462; 52/19, 28; 8/38; D14/511, 496
See application file for complete search history.

(56) **References Cited**

U.S. PATENT DOCUMENTS

D51,412	S	*	10/1917	Gillinder	D26/123
D99,105	S	*	3/1936	Arenberg	D26/124
2,454,332	A	*	11/1948	Mitchell et al.	362/337
2,547,342	A	*	4/1951	Nirdlinger	362/125
4,617,615	A	*	10/1986	Eychaner	362/216
5,051,875	A	*	9/1991	Johnson	362/101
D343,019	S	*	1/1994	Garrity	D26/37

5,725,303	A	*	3/1998	Lin	362/376
6,019,493	A	*	2/2000	Kuo et al.	362/335
D437,654	S	*	2/2001	Chen	D26/74
D468,044	S	*	12/2002	Lam	D26/72
6,609,816	B2	*	8/2003	Ansari et al.	362/294
D482,485	S	*	11/2003	Benghozi	D26/85
6,641,295	B1	*	11/2003	Hu	362/545
6,808,293	B2	*	10/2004	Watanabe et al.	362/244
D509,617	S	*	9/2005	Benghozi	D26/89
6,979,107	B1	*	12/2005	Benensohn	362/374
7,025,482	B2	*	4/2006	Yamashita et al.	362/511
7,153,000	B2	*	12/2006	Park et al.	362/268
7,347,590	B2	*	3/2008	Lee et al.	362/327
D574,095	S	*	7/2008	Hill et al.	D26/26
7,473,013	B2	*	1/2009	Shimada	362/327
7,513,656	B2	*	4/2009	Park et al.	362/333

(Continued)

Primary Examiner — Cathron C Brooks

Assistant Examiner — Kevin K Rudzinski

(74) *Attorney, Agent, or Firm* — Park, Kim & Suh, LLC

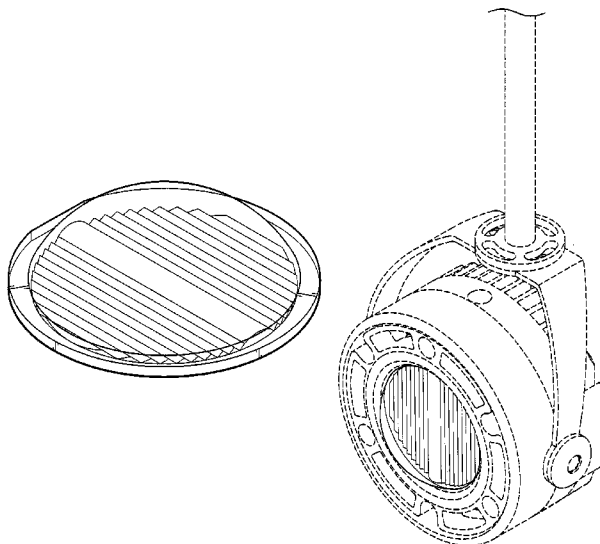
(57) **CLAIM**

The ornamental design for a lens for an LED lamp, as shown and described.

DESCRIPTION

FIG. 1 is a perspective view of a lens for an LED lamp showing our new design;
FIG. 2 is a front view thereof;
FIG. 3 is a rear view thereof;
FIG. 4 is a left side view thereof, a right side view being a mirror image of the left side view;
FIG. 5 is a top plan view thereof;
FIG. 6 is a bottom plan view thereof;
FIG. 7 is a cross-sectional view taken along line 7—7 in FIG. 5; and,
FIG. 8 is a perspective view showing the lens in an environment of use with an LED lamp.
The broken lines shown in the figures illustrate environmental structures and form no part of the claimed design.

1 Claim, 8 Drawing Sheets



US D634,883 S

Page 2

U.S. PATENT DOCUMENTS			
D592,615	S *	5/2009	Imai et al. D13/180
7,553,040	B2 *	6/2009	Boothe et al. 362/101
7,594,740	B2 *	9/2009	Popovich et al. 362/373
7,618,163	B2 *	11/2009	Wilcox 362/336
7,733,580	B2 *	6/2010	Ieda et al. 359/742
2004/0105171	A1 *	6/2004	Minano et al. 359/728
2005/0024744	A1 *	2/2005	Falicoff et al. 359/737
2006/0067086	A1 *	3/2006	Hsu 362/544
2006/0238881	A1 *	10/2006	Park et al. 359/642
2007/0070530	A1 *	3/2007	Seo et al. 359/819
2007/0236952	A1 *	10/2007	Chinniah et al. 362/538
2008/0203412	A1 *	8/2008	Shyu et al. 257/98
2008/0247188	A1 *	10/2008	Woodward 362/554
2008/0297918	A1 *	12/2008	Park et al. 359/709

* cited by examiner

FIG. 1

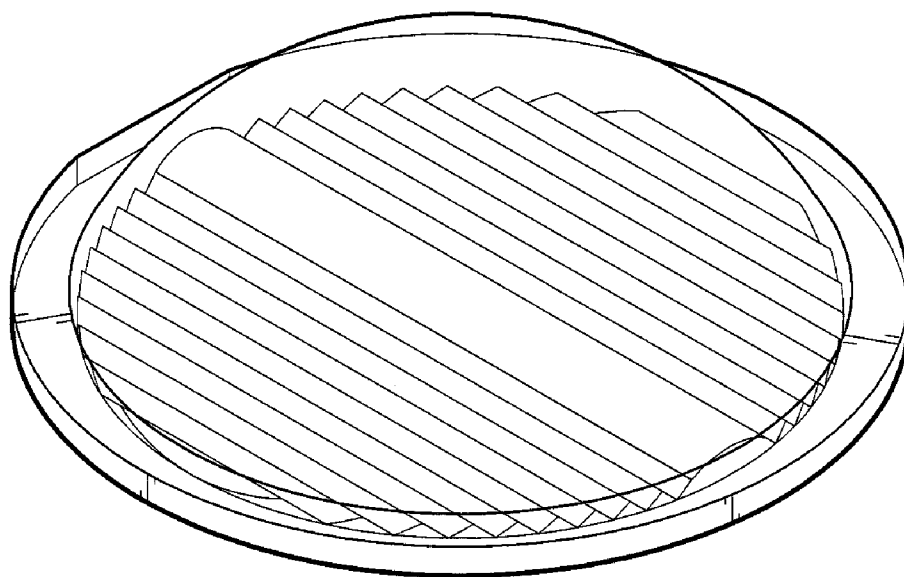


FIG. 2

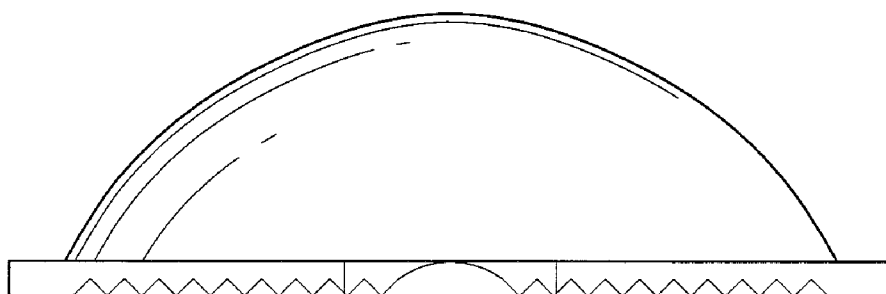


FIG. 3

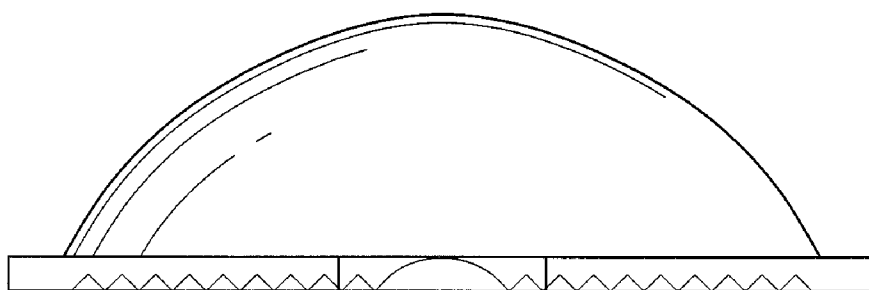


FIG. 4

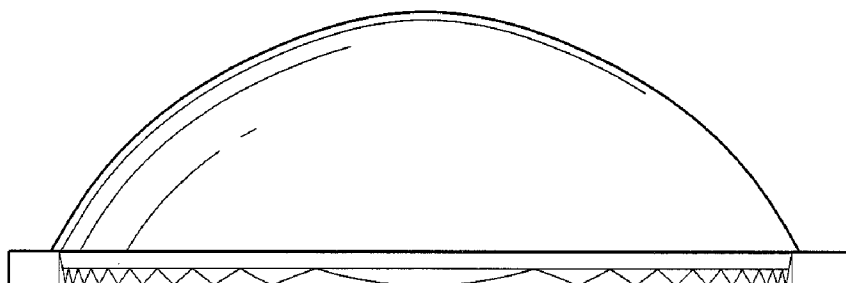


FIG. 5

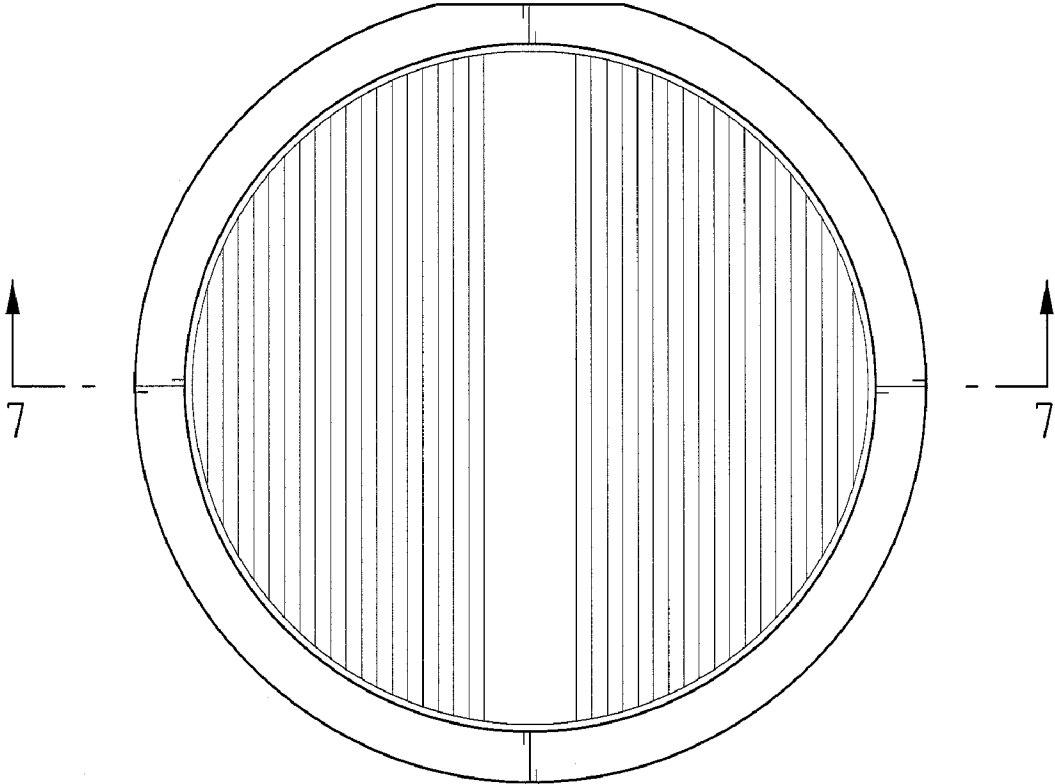


FIG. 6

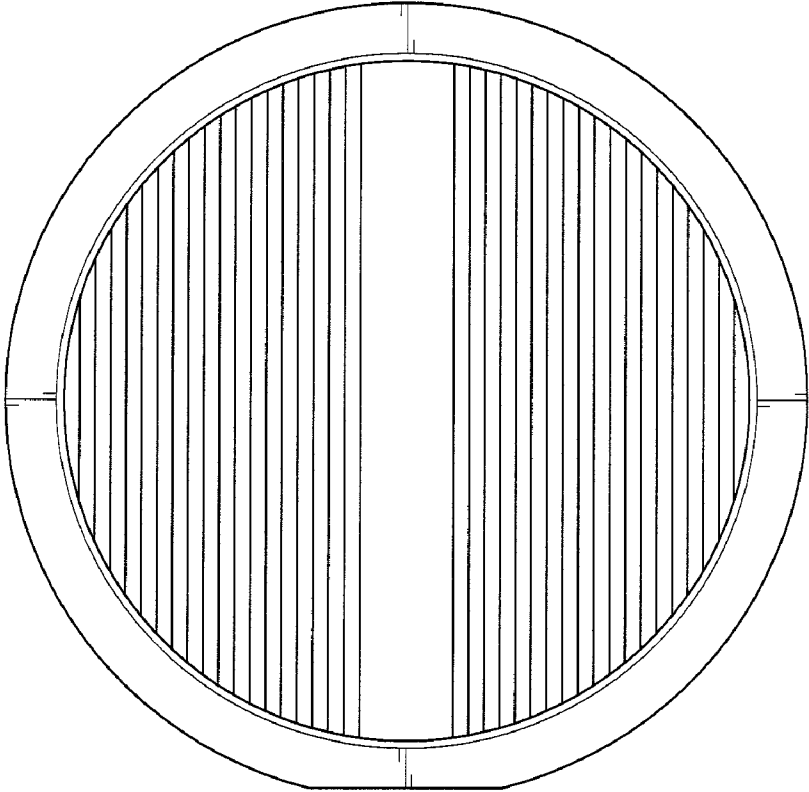


FIG. 7

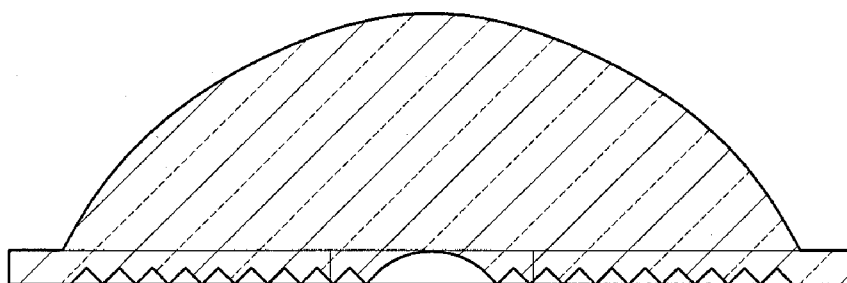


FIG. 8

