



US00D734183S

(12) **United States Design Patent**  
**de Groot**

(10) **Patent No.:** **US D734,183 S**

(45) **Date of Patent:** **\*\* Jul. 14, 2015**

(54) **MOISTURE SENSOR AND CONTROLLER**

8,573,052 B2 \* 11/2013 Hong et al. .... 73/335.04

\* cited by examiner

(71) Applicant: **Rockwool International A/S**

*Primary Examiner* — Antoine D Davis

(72) Inventor: **Jacob Frank de Groot**, Roermond (NL)

(74) *Attorney, Agent, or Firm* — Tarolli, Sundheim, Covell & Tummino LLP

(73) Assignee: **Rockwool International A/S**,  
Hedehusene (DK)

(\*\*) Term: **14 Years**

(57) **CLAIM**

The ornamental design for a moisture sensor and controller, as shown and described.

(21) Appl. No.: **29/475,672**

**DESCRIPTION**

(22) Filed: **Dec. 5, 2013**

(30) **Foreign Application Priority Data**

Jun. 7, 2013 (EP) ..... 001374664-0001  
Jun. 7, 2013 (EP) ..... 001374664-0002  
Jun. 7, 2013 (EP) ..... 001374664-0003

FIG. 1 is a front perspective view of a moisture sensor and controller;

FIG. 2 is a rear perspective view thereof;

FIG. 3 is a front elevation view thereof;

FIG. 4 is a rear elevation view thereof;

FIG. 5 is a top plan view thereof;

FIG. 6 is a right side view thereof;

FIG. 7 is a front perspective view thereof, showing an alternative usage environment;

FIG. 8 is a rear perspective view thereof;

FIG. 9 is a front elevation view thereof;

FIG. 10 is a rear elevation view thereof;

FIG. 11 is a top plan view thereof;

FIG. 12 is a right side view thereof;

FIG. 13 is a front perspective view thereof, showing an alternative usage environment;

FIG. 14 is a rear perspective view thereof;

FIG. 15 is a front elevation view thereof;

FIG. 16 is a rear elevation view thereof;

FIG. 17 is a top plan view thereof; and,

FIG. 18 is a right side view thereof.

Those portions of the Figures shown in dashed lines are for illustrative purposes only and form no part of the claimed design.

(51) **LOC (10) Cl.** ..... **10-04**

(52) **U.S. Cl.**  
USPC ..... **D10/56**

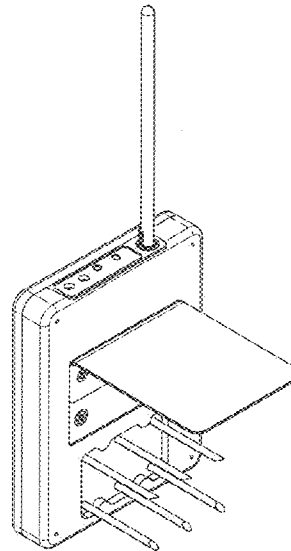
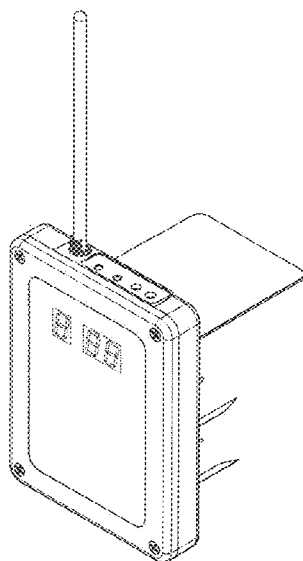
(58) **Field of Classification Search**  
USPC ..... D10/56  
CPC .. G01N 27/223; G01N 27/225; G01N 27/048  
See application file for complete search history.

(56) **References Cited**

**U.S. PATENT DOCUMENTS**

4,399,404 A \* 8/1983 Resh ..... 324/689  
4,588,943 A \* 5/1986 Hirth ..... 324/664  
D300,727 S \* 4/1989 Fukushima ..... D10/52  
D316,823 S \* 5/1991 Dadachanji ..... D10/56  
D358,779 S \* 5/1995 Fabunan ..... D10/56  
6,340,892 B1 \* 1/2002 Rynhart et al. .... 324/640  
6,553,813 B2 \* 4/2003 Rynhart et al. .... 73/73  
6,747,463 B2 \* 6/2004 Rynhart et al. .... 324/664  
7,168,316 B2 \* 1/2007 Blakeley, III ..... 73/335.02

**1 Claim, 18 Drawing Sheets**



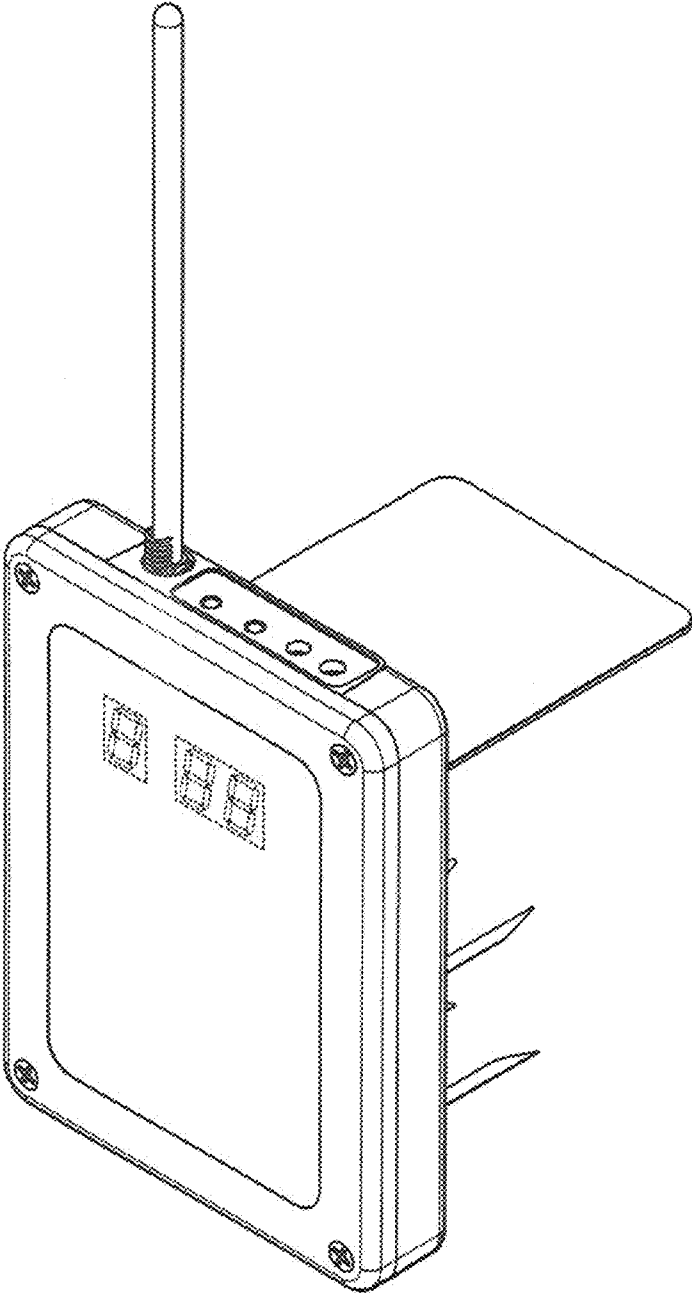


FIG. 1

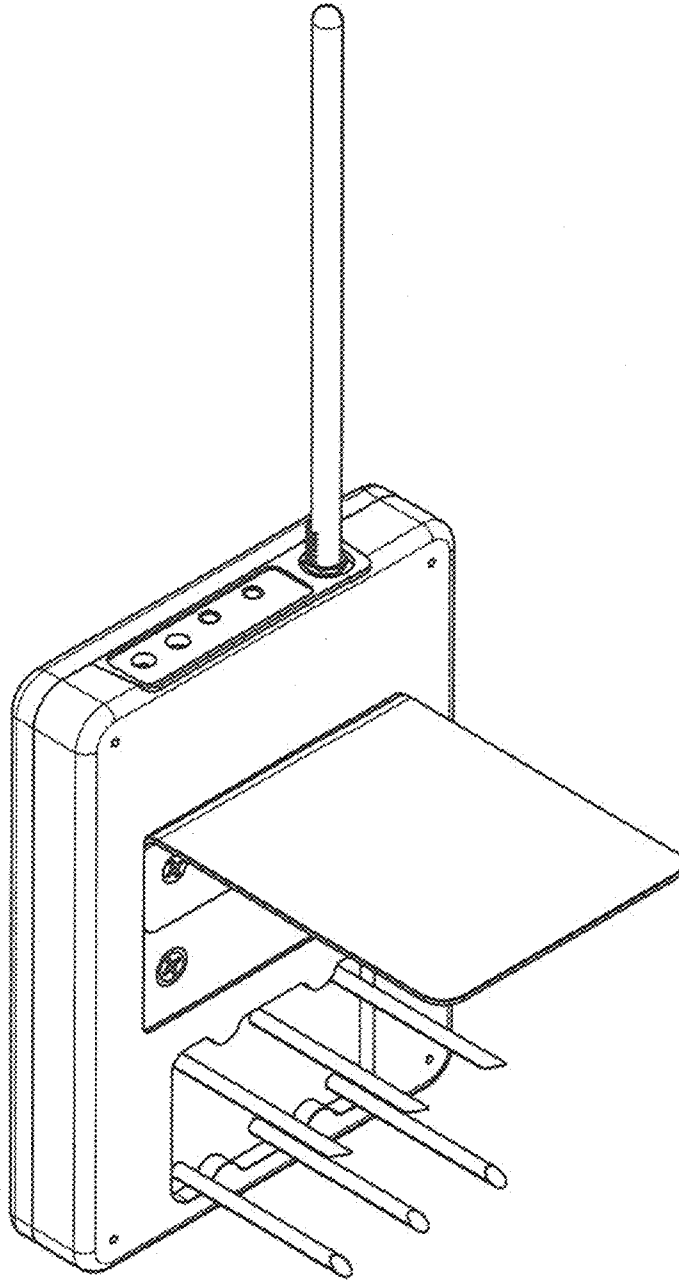


FIG. 2

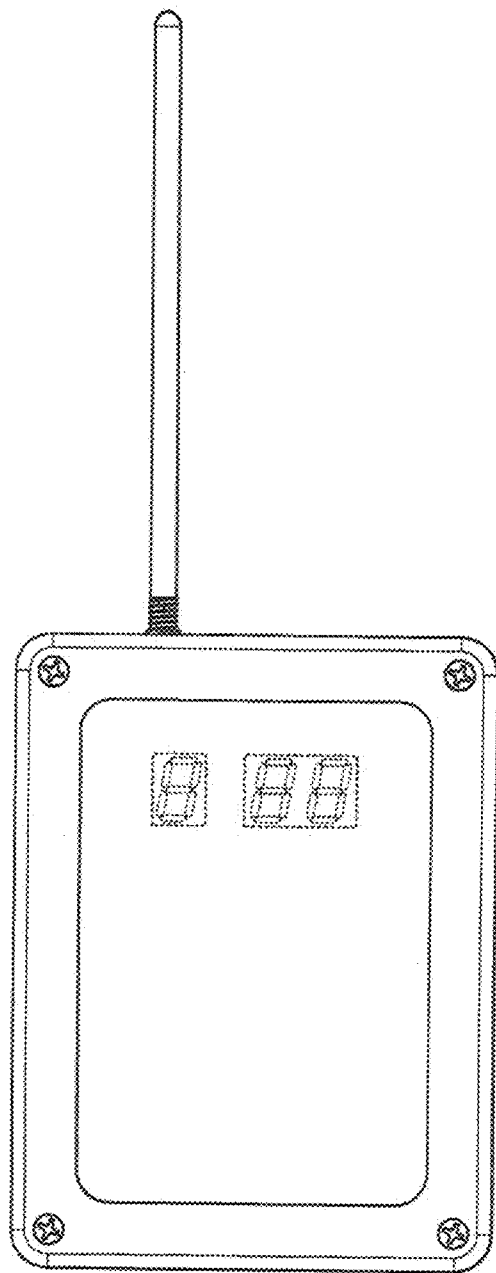


FIG. 3

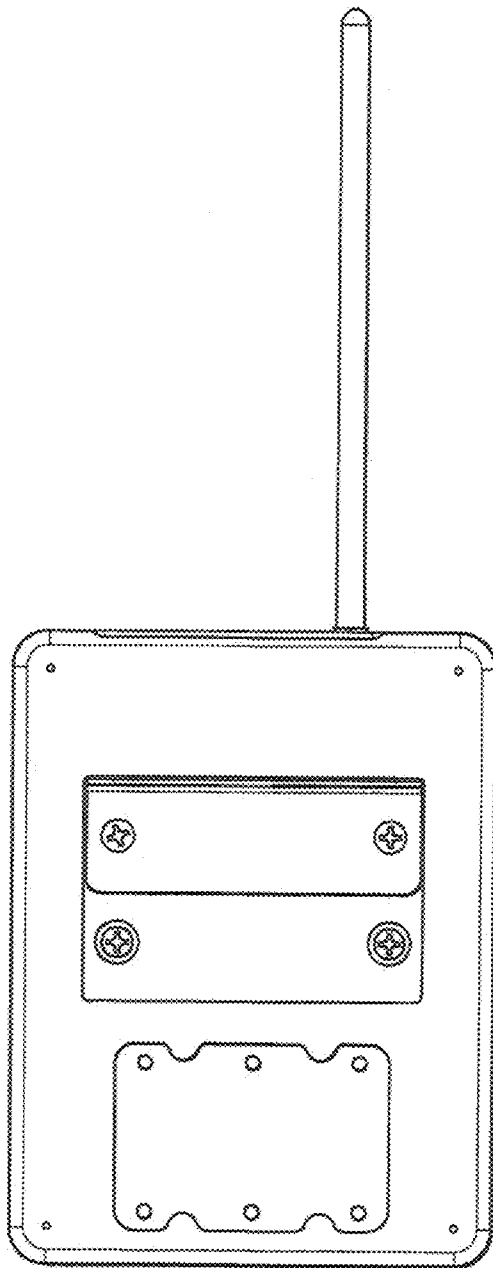


FIG. 4

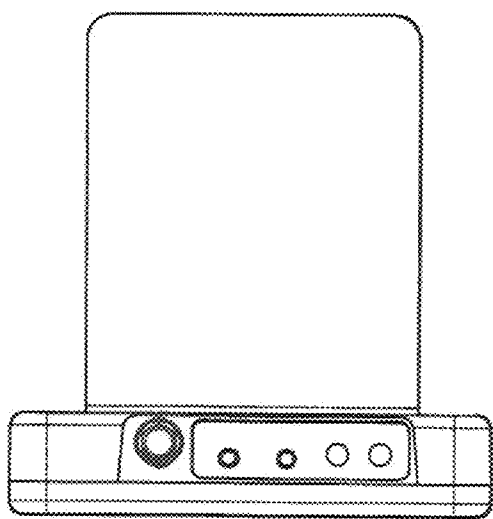


FIG. 5

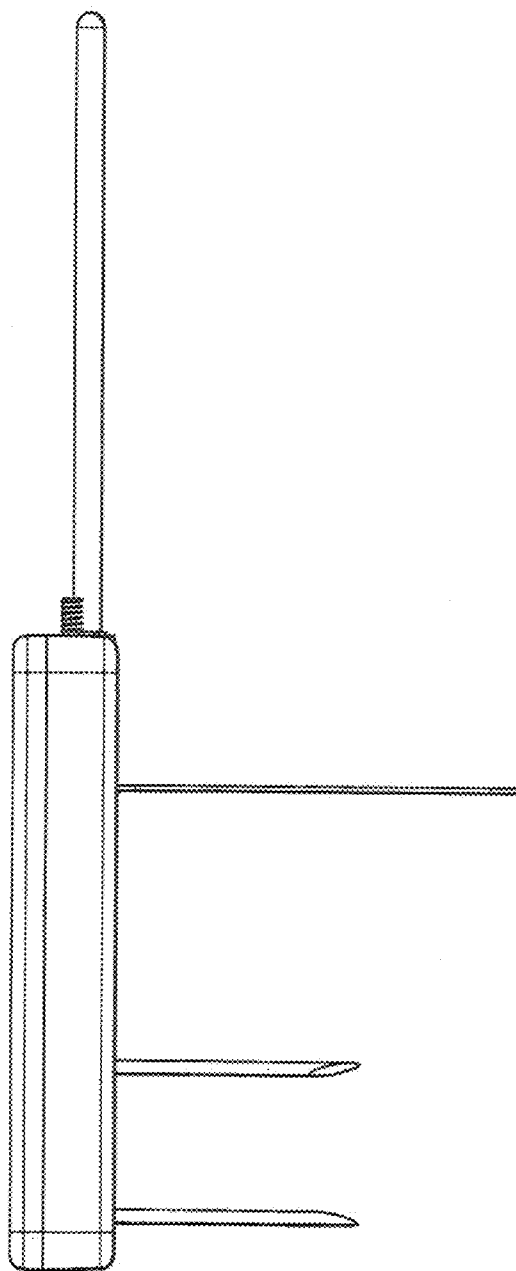


FIG. 6

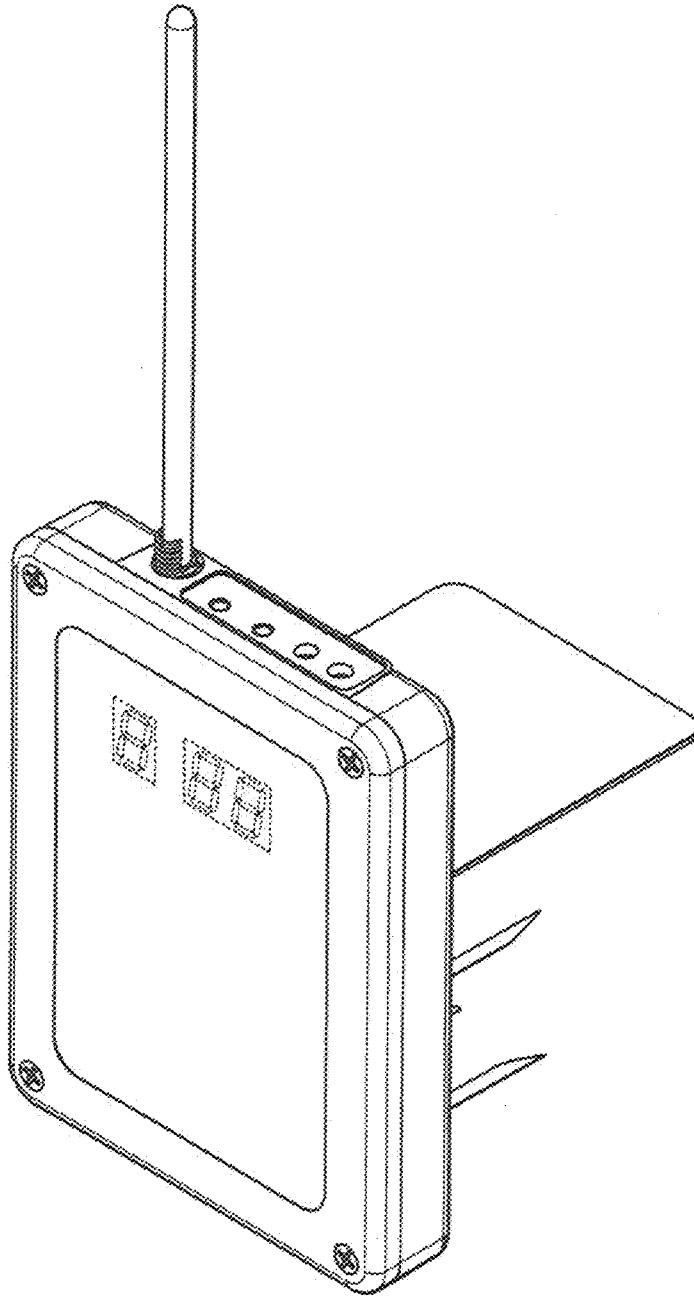


FIG. 7

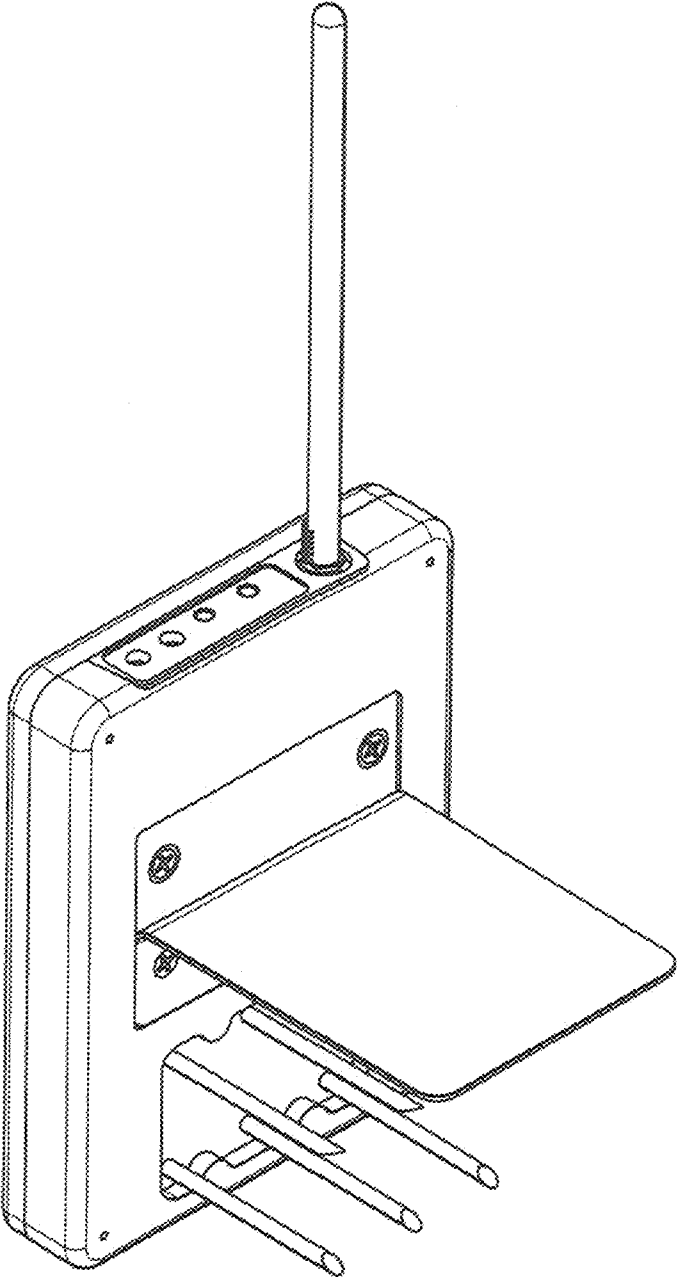


FIG. 8

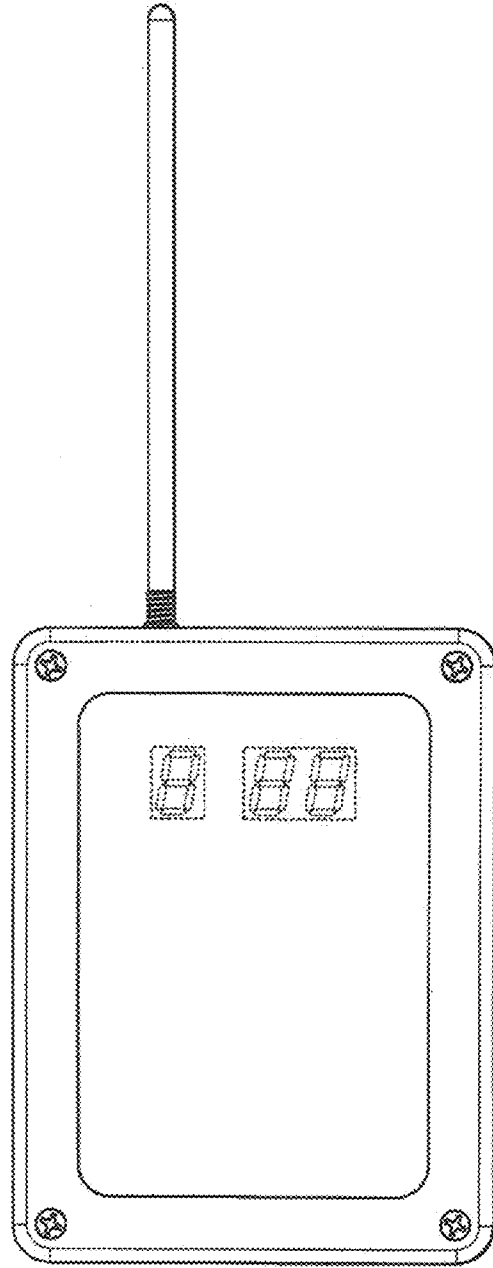


FIG. 9

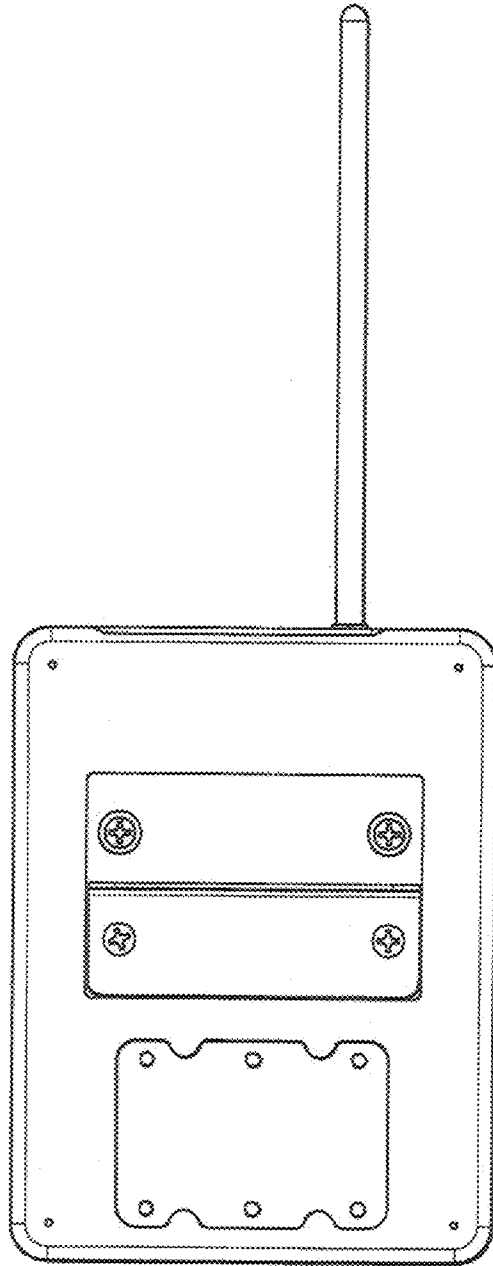


FIG. 10

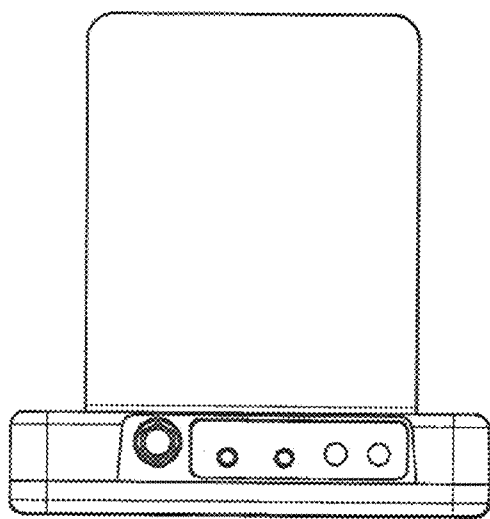


FIG. 11

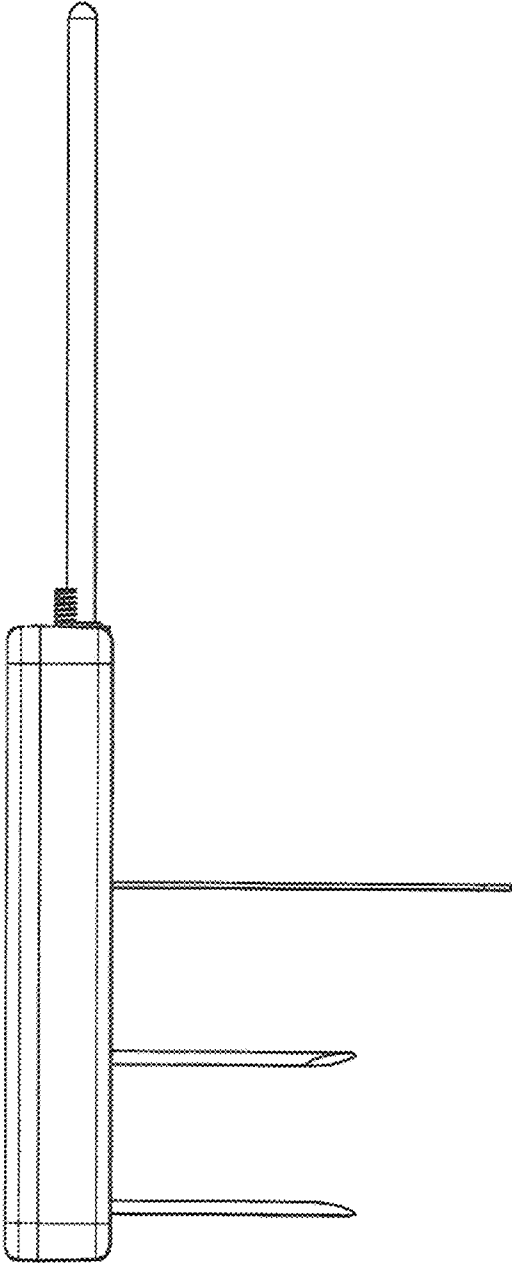


FIG. 12

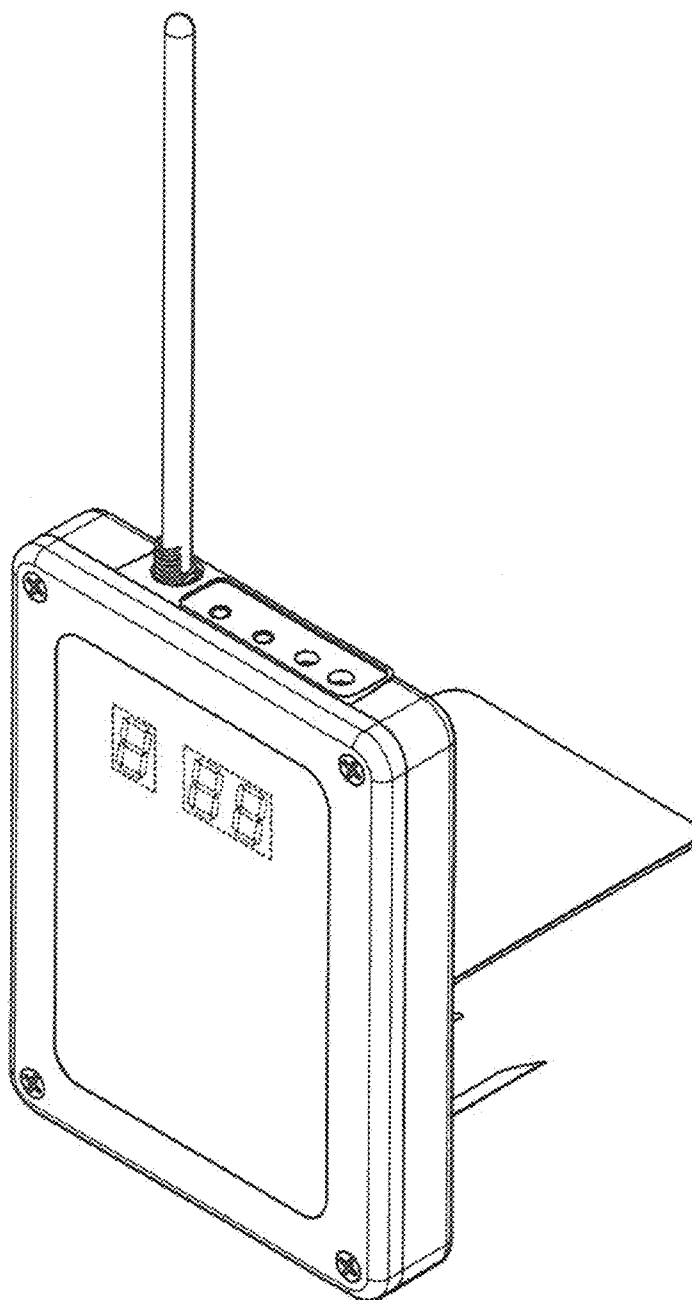


FIG. 13

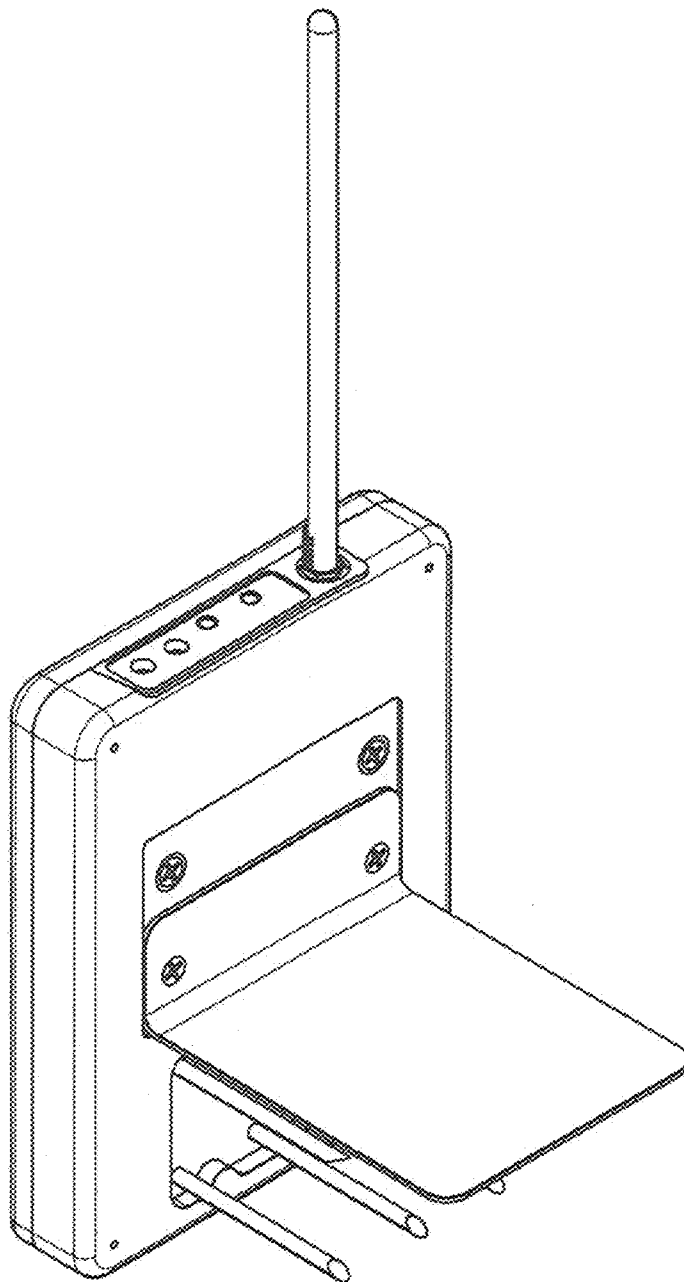


FIG. 14

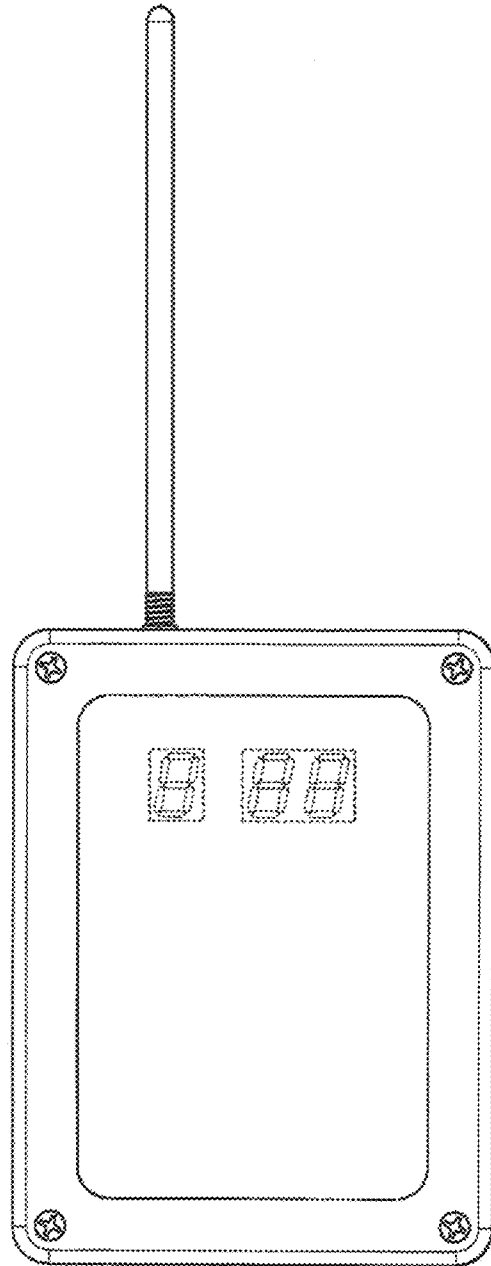


FIG. 15

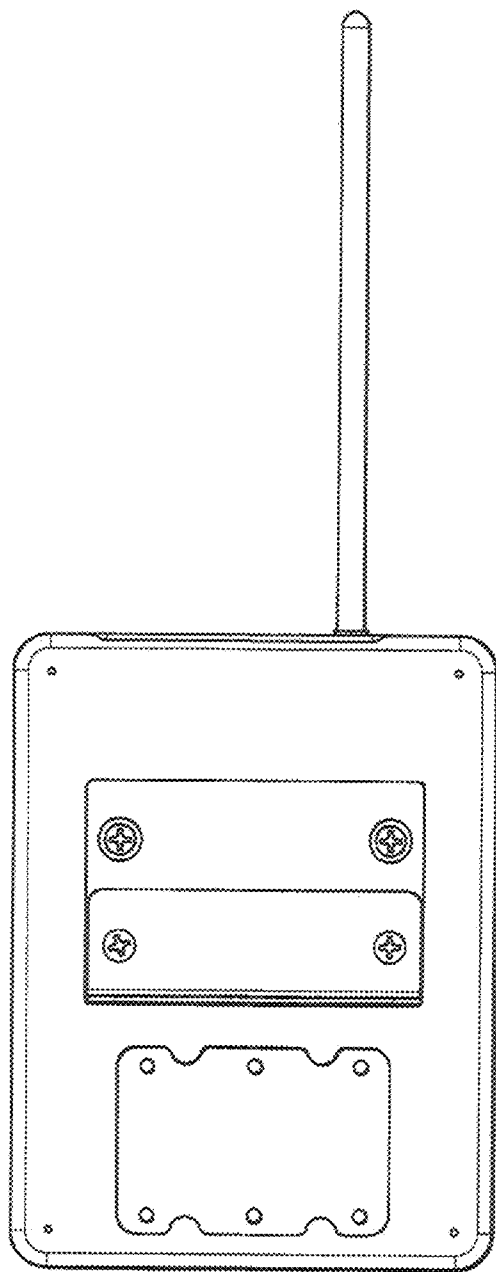


FIG. 16



FIG. 17

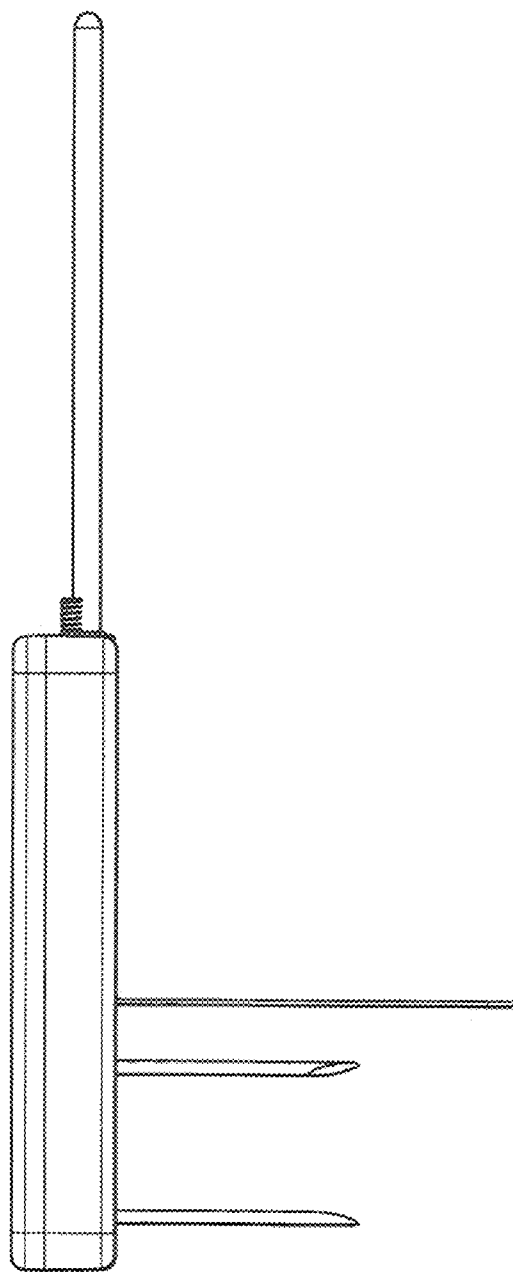


FIG. 18