



US0D1069708S

(12) **United States Design Patent**  
**Tang**

(10) **Patent No.:** **US D1,069,708 S**

(45) **Date of Patent:** **\*\* Apr. 8, 2025**

(54) **INVERTER GENERATOR**

(71) Applicant: **Chongqing Guoyu Technology Co., Ltd.**, Chongqing District (CN)

(72) Inventor: **Guolan Tang**, Chongqing (CN)

(73) Assignee: **Chongqing Guoyu Technology Co., Ltd.**, Chongqing (CN)

(\*\*) Term: **15 Years**

(21) Appl. No.: **29/861,560**

(22) Filed: **Nov. 30, 2022**

(30) **Foreign Application Priority Data**

Oct. 18, 2022 (CN) ..... 202230686969.4

(51) **LOC (15) Cl.** ..... **13-01**

(52) **U.S. Cl.**  
USPC ..... **D13/112; D13/110**

(58) **Field of Classification Search**  
USPC ..... D13/112, 110, 114, 116, 108, 123, 162,  
D13/168, 169, 174, 177, 184, 199;  
D14/257, 432, 438

CPC ..... H05K 5/00; H05K 5/02; H05K 5/0247;  
H05K 7/00; H05K 7/20; H05K 7/20136;  
H05K 7/20154; H05K 7/209; H05K  
7/0042; H02M 7/00; H02M 7/003; H02M  
2001/009; H02J 7/0042; Y10T 307/367;  
F02B 63/047; F02B 2063/045; F01N  
1/026; F04G 17/05

See application file for complete search history.

(56) **References Cited**

**U.S. PATENT DOCUMENTS**

D437,825 S \* 2/2001 Imai ..... D13/116  
D518,771 S \* 4/2006 Xiao ..... D13/116  
D630,581 S \* 1/2011 Xu ..... D13/116  
D650,739 S \* 12/2011 Cai ..... D13/116

D662,881 S \* 7/2012 He ..... D13/116  
D711,319 S \* 8/2014 Wilcox ..... D13/116  
D871,337 S \* 12/2019 Nagasawa ..... D13/116  
D885,343 S \* 5/2020 Yin ..... D13/116  
D930,587 S \* 9/2021 Alexander ..... D13/116  
D961,500 S \* 8/2022 Sun ..... D13/116  
D969,070 S \* 11/2022 Fang ..... D13/116  
D993,180 S \* 7/2023 Nakaura ..... D13/116

(Continued)

**OTHER PUBLICATIONS**

Portable Solar Generator, 300W Portable Power Station. Before Aug. 8, 2024. Amazon. <https://www.amazon.com/Portable-Generator-Station-Foldable-Adventure/dp/B0CHFM3V8Q?th=1>.

(Continued)

*Primary Examiner* — Garth Rademaker  
*Assistant Examiner* — Suzanne E Tisdell  
(74) *Attorney, Agent, or Firm* — Hawaii Patent Services;  
Nathaniel K. Fedde; Kenton N. Fedde

(57) **CLAIM**

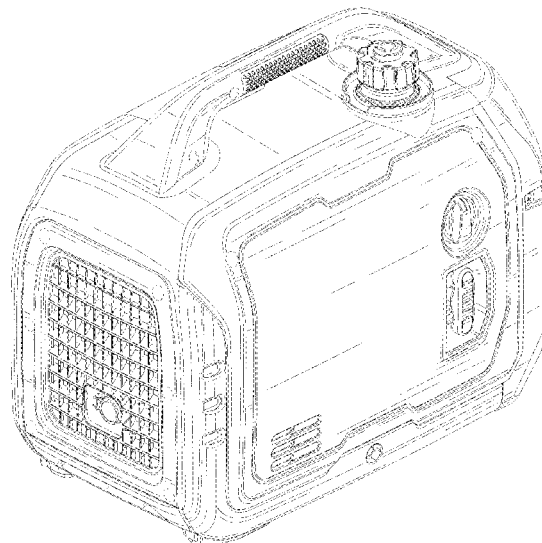
The ornamental design for an inverter generator, as shown and described.

**DESCRIPTION**

FIG. 1 is a perspective view of our new design, showing an inverter generator;  
FIG. 2 is another perspective view thereof;  
FIG. 3 is a front elevation view thereof;  
FIG. 4 is a rear elevation view thereof;  
FIG. 5 is a left side elevation view thereof;  
FIG. 6 is a right side elevation view thereof;  
FIG. 7 is a top plan view thereof; and,  
FIG. 8 is a bottom plan view of the inverter generator, showing our new design.

Broken lines appearing in the various figures illustrate environmental or other features that form no part of the claimed design.

**1 Claim, 8 Drawing Sheets**



(56)

**References Cited**

U.S. PATENT DOCUMENTS

D1,013,633 S \* 2/2024 Lin ..... D13/116

OTHER PUBLICATIONS

Mox 100W Portable Solar Panel & Power Station Set. 2024. Walmart. <https://www.walmart.com/ip/MOX-Portable-Power-Station-and-Foldable-Portable-Solar-Set-of-2-Camping-Solar-Generator-with-LED-Light-USB-Charger/2099410882>.\*

Jackery 1800Watt Output 3600W Peak Portable Solar Power Station. Before Aug. 7, 2021. Home Depot. <https://www.homedepot.com/p/Jackery-1800-Watt-Output-3600W-Peak-Portable-Solar-Power-Station-Explorer-1500-Push-Start-Battery-Generator-for-Outdoors-Camping-HTE0721500A/316708017>.\*

\* cited by examiner

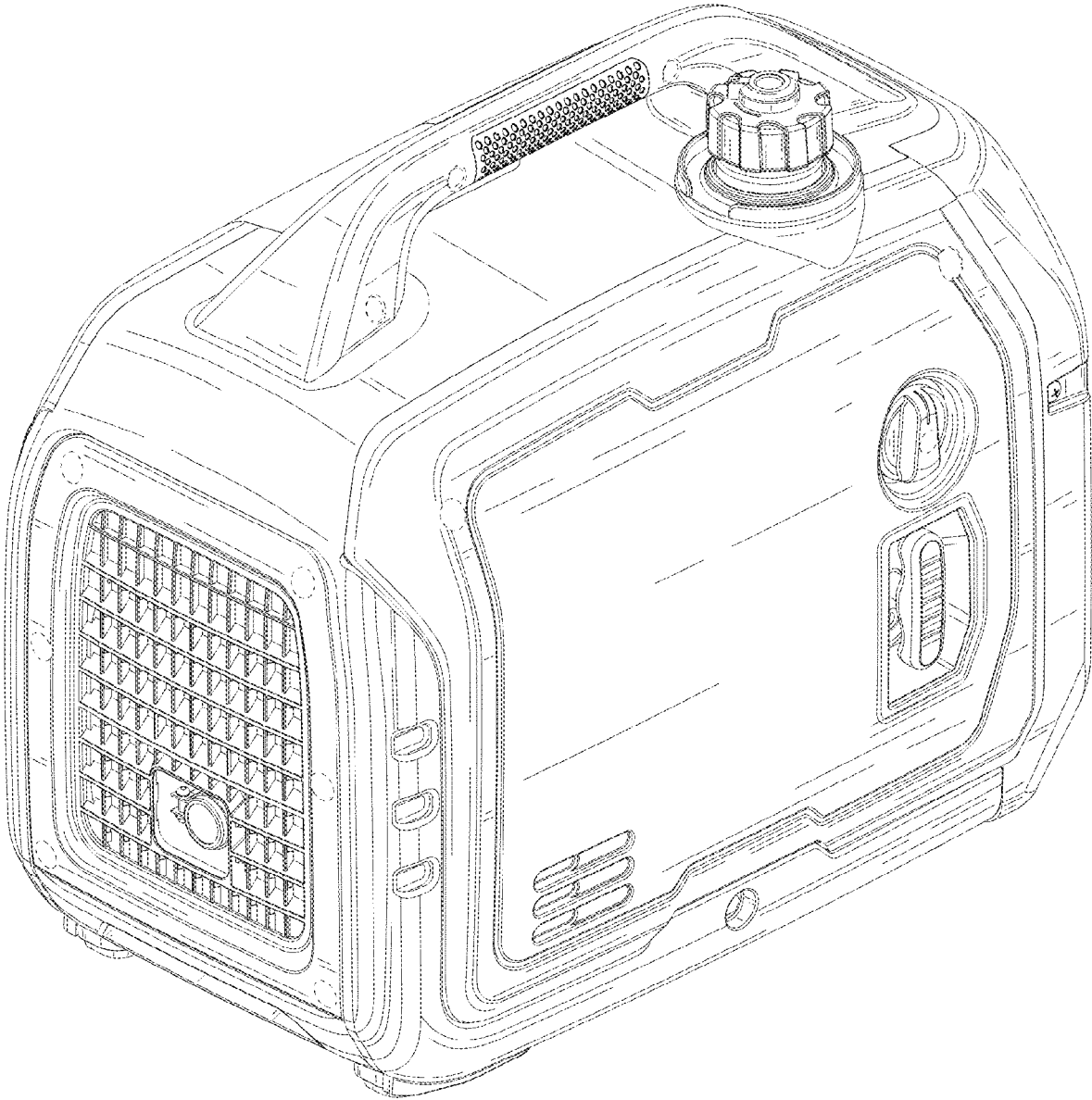


FIG. 1

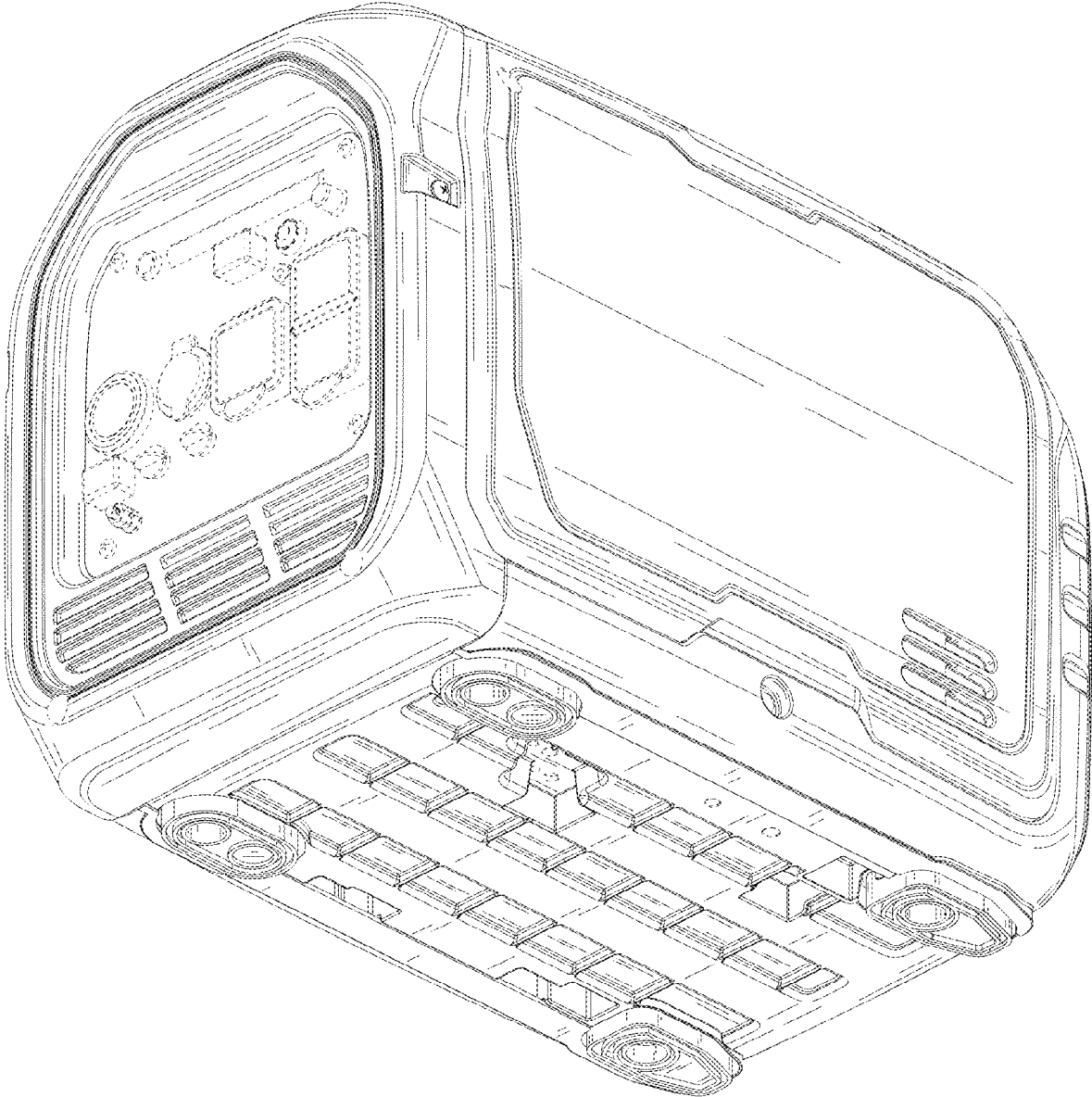


FIG. 2

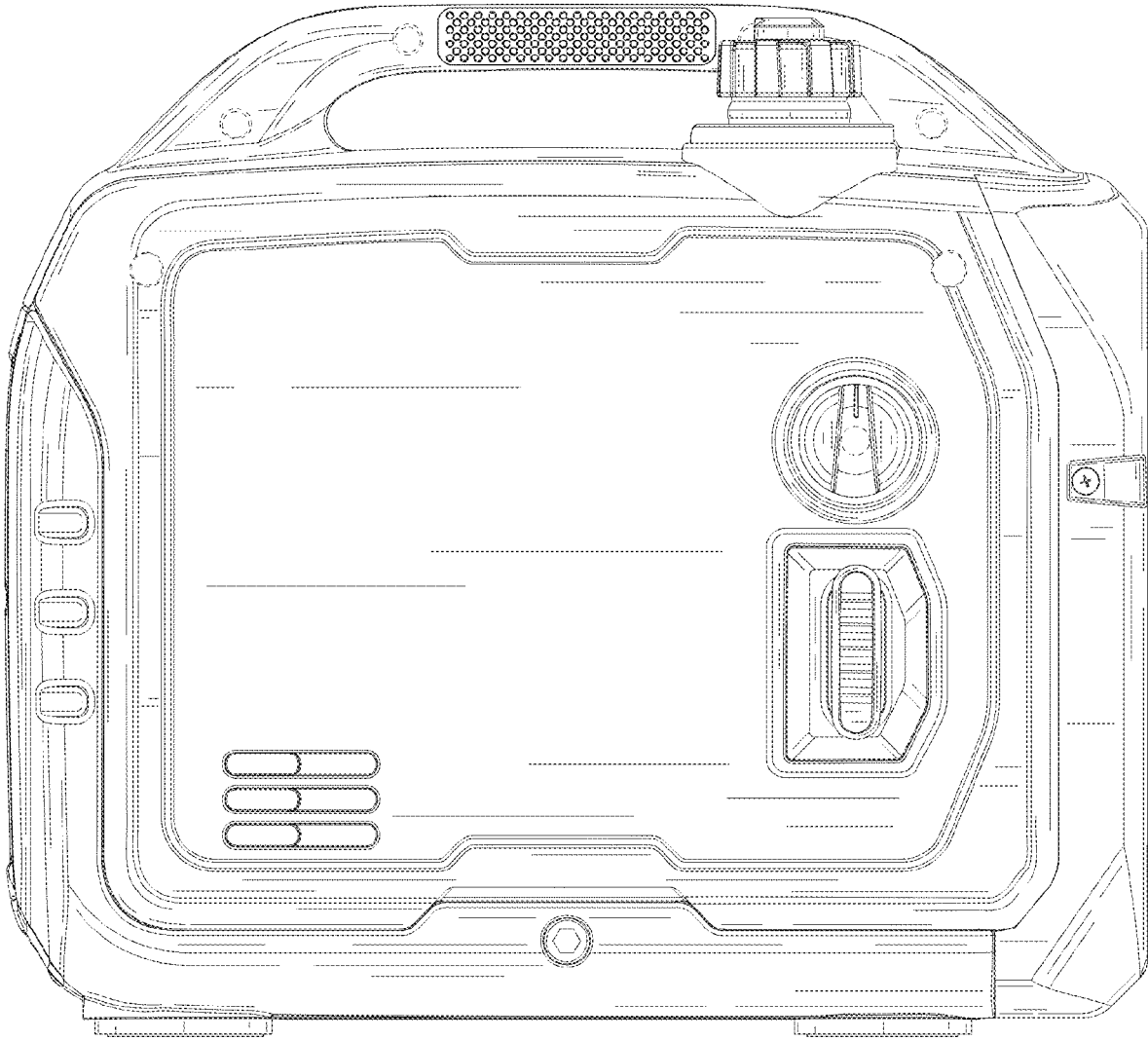


FIG. 3

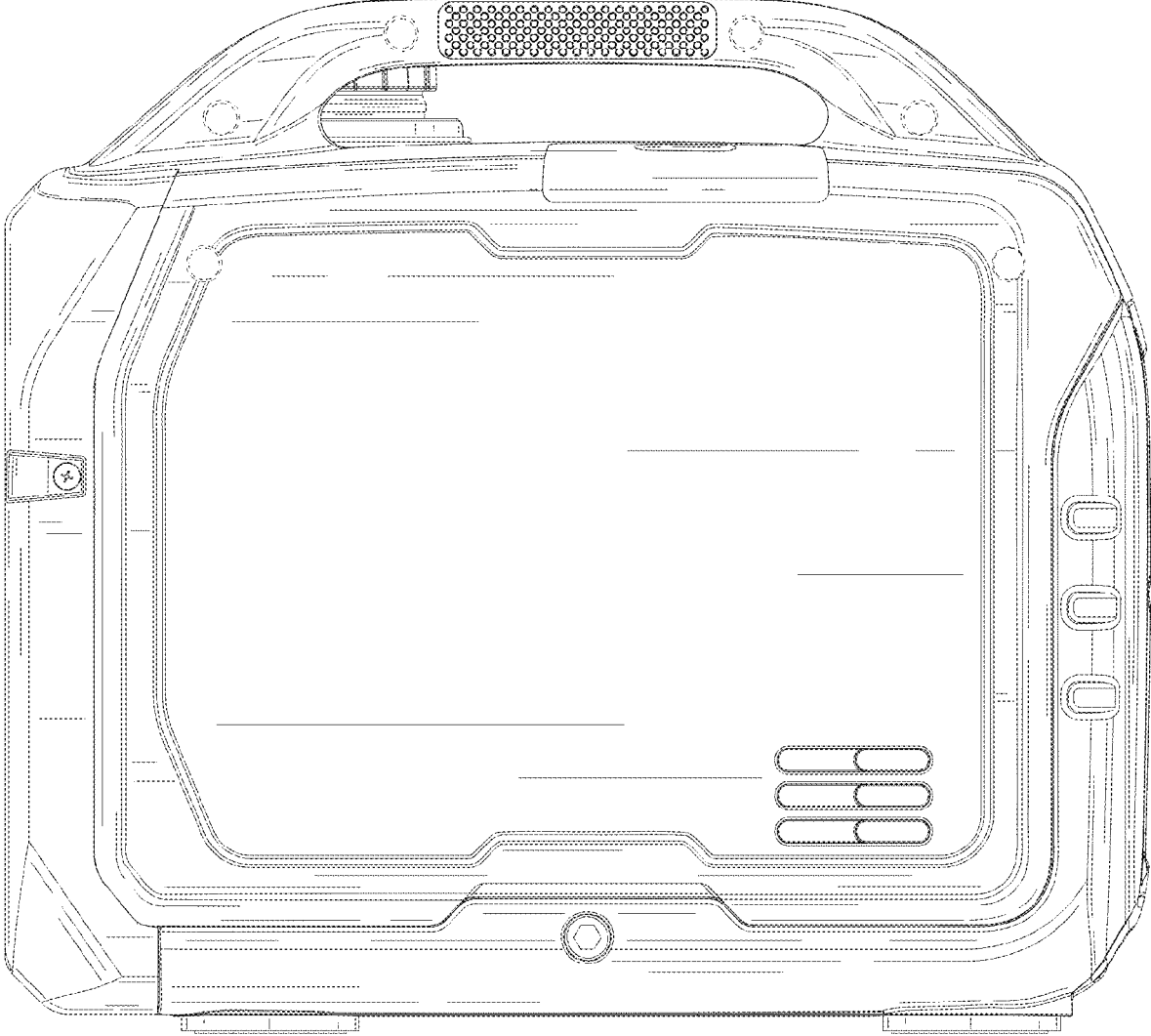


FIG. 4

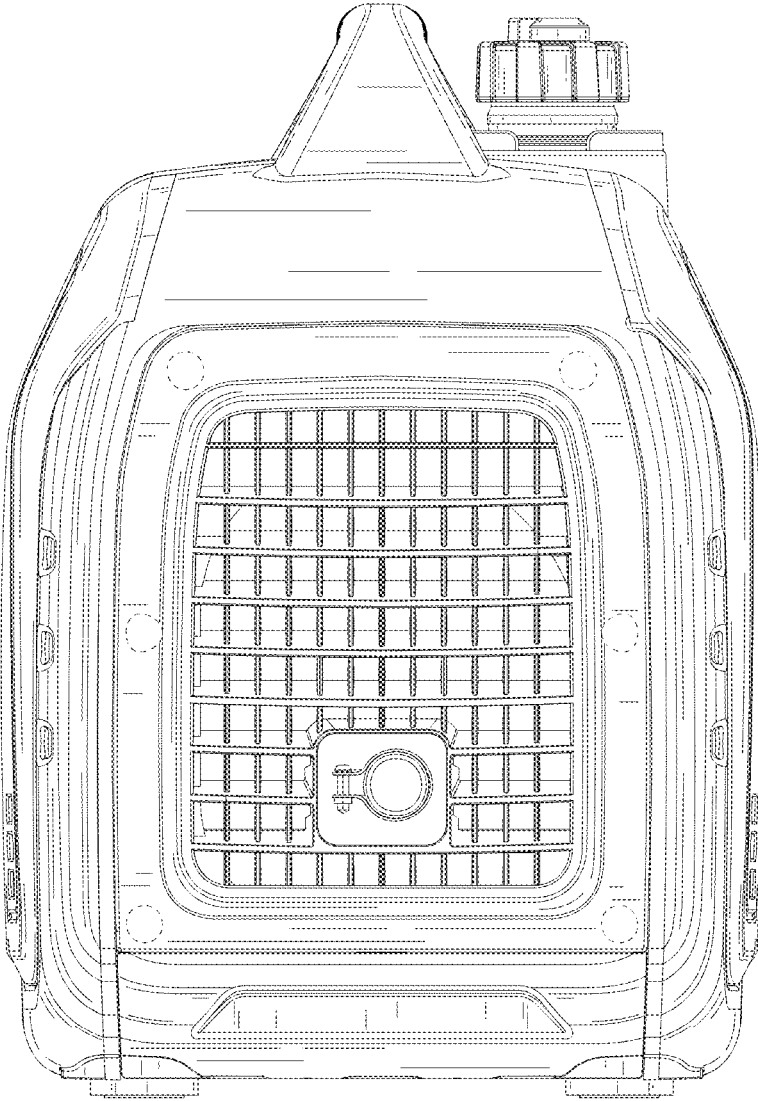


FIG. 5

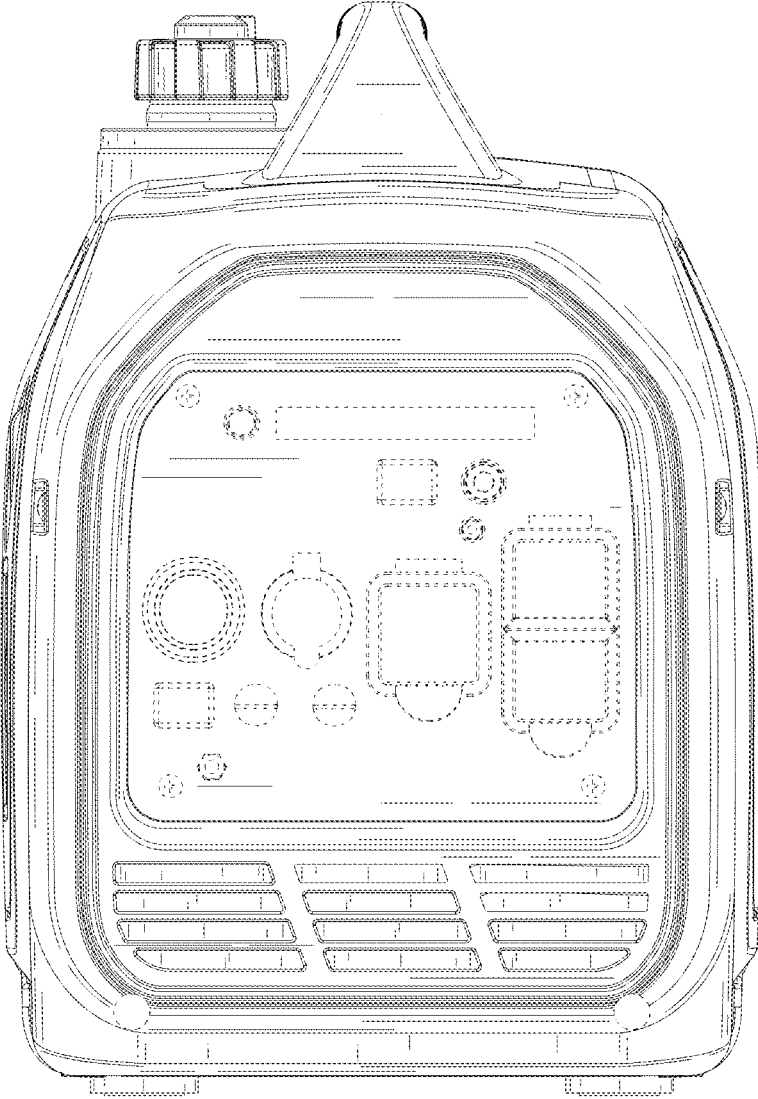


FIG. 6

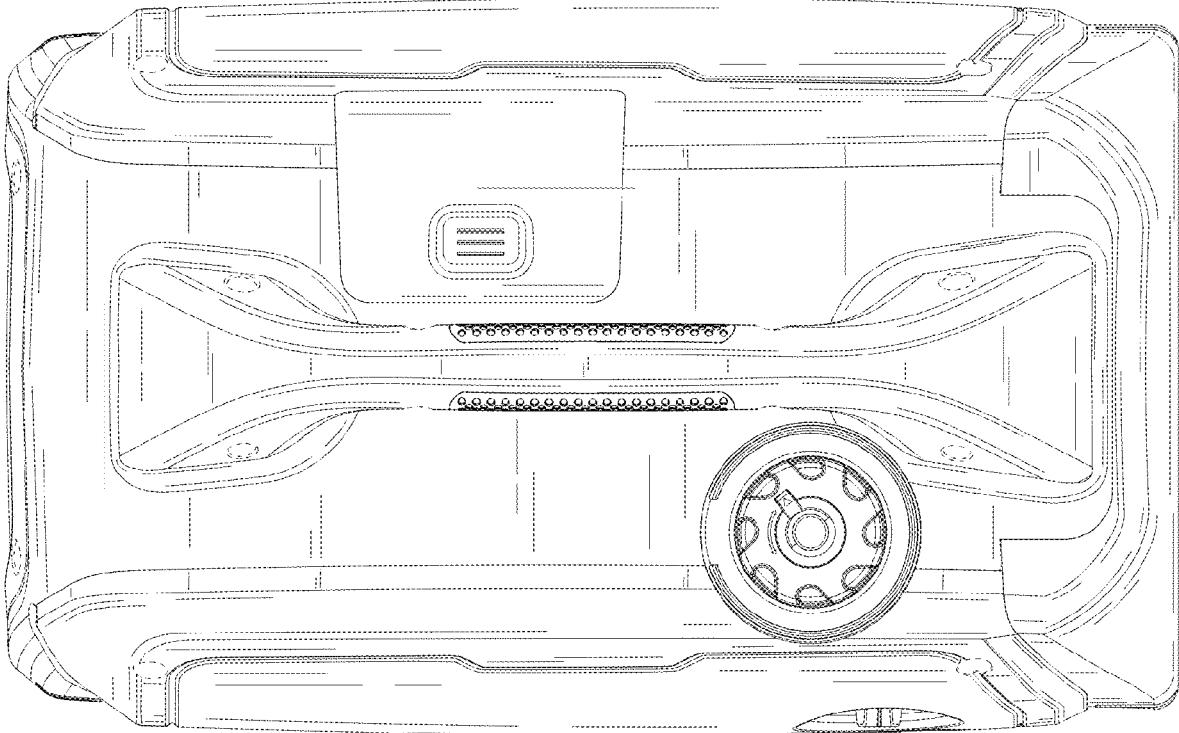


FIG. 7

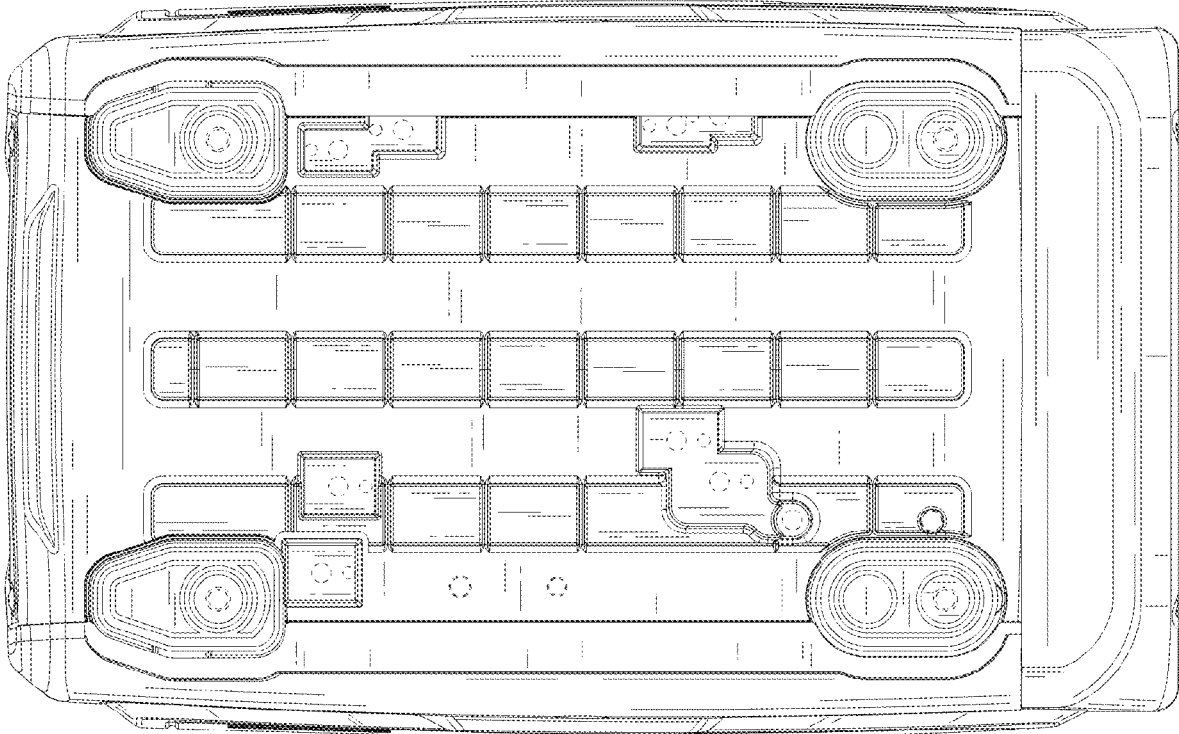


FIG. 8