



US00D968802S

(12) **United States Design Patent**  
**Zheng**

(10) **Patent No.:** **US D968,802 S**

(45) **Date of Patent:** **\*\* Nov. 8, 2022**

(54) **HIKING DAYPACK**

(71) Applicant: **Xiujin Zheng**, Putian (CN)

(72) Inventor: **Xiujin Zheng**, Putian (CN)

(\*\*) Term: **15 Years**

(21) Appl. No.: **29/815,012**

(22) Filed: **Nov. 10, 2021**

(51) **LOC (13) Cl.** ..... **03-01**

(52) **U.S. Cl.**  
USPC ..... **D3/217**

(58) **Field of Classification Search**  
USPC ..... D3/216, 217; D9/704  
See application file for complete search history.

(56) **References Cited**

**U.S. PATENT DOCUMENTS**

D699,942 S *	2/2014	Mather	.....	D3/217
D699,944 S *	2/2014	Mather	.....	D3/217
D706,533 S *	6/2014	Hock	.....	D3/217
D841,978 S *	3/2019	Ou	.....	D3/217

D922,762 S *	6/2021	He	.....	D3/217
D923,327 S	6/2021	Wen	.....	
D954,427 S *	6/2022	Zhou	.....	D3/217
2015/0182007 A1 *	7/2015	Ponx	.....	A45C 13/02 224/653

\* cited by examiner

*Primary Examiner* — Jennifer L Watkins

(74) *Attorney, Agent, or Firm* — Justin Lampel

(57) **CLAIM**

The ornamental design for a hiking daypack, as shown and described.

**DESCRIPTION**

FIG. 1 is a perspective view of a hiking daypack showing my new design;  
FIG. 2 is a top plan view thereof;  
FIG. 3 is a rear elevational view thereof;  
FIG. 4 is a left side view thereof;  
FIG. 5 is a front elevation view thereof;  
FIG. 6 is a right side view thereof; and,  
FIG. 7 is a bottom plan view thereof.

**1 Claim, 7 Drawing Sheets**





FIG.1

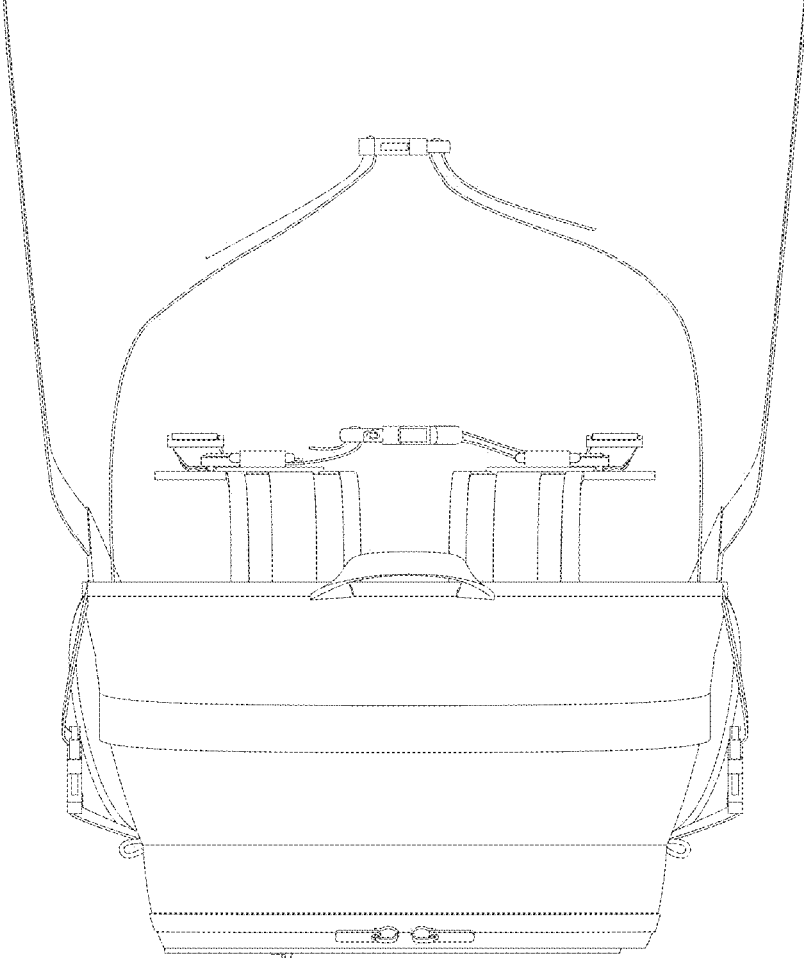


FIG.2

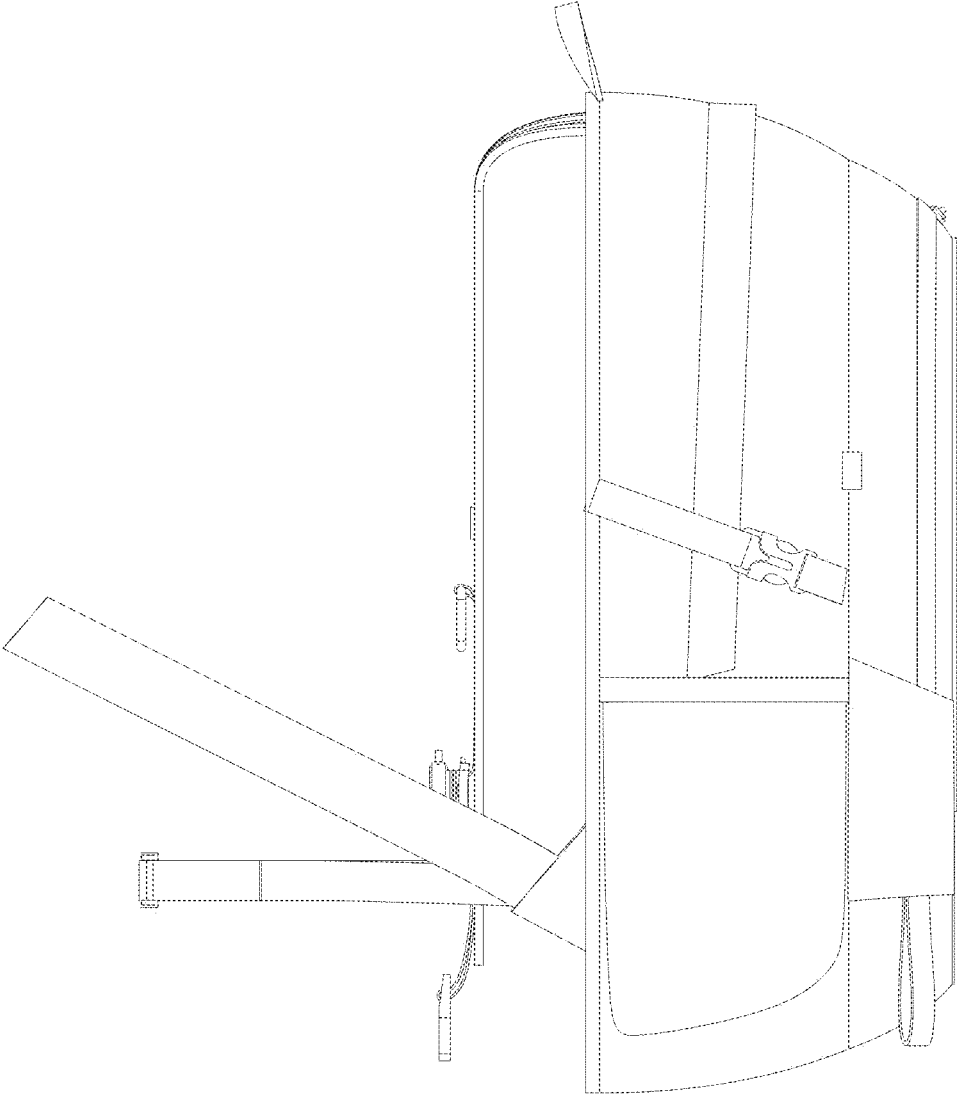


FIG. 3

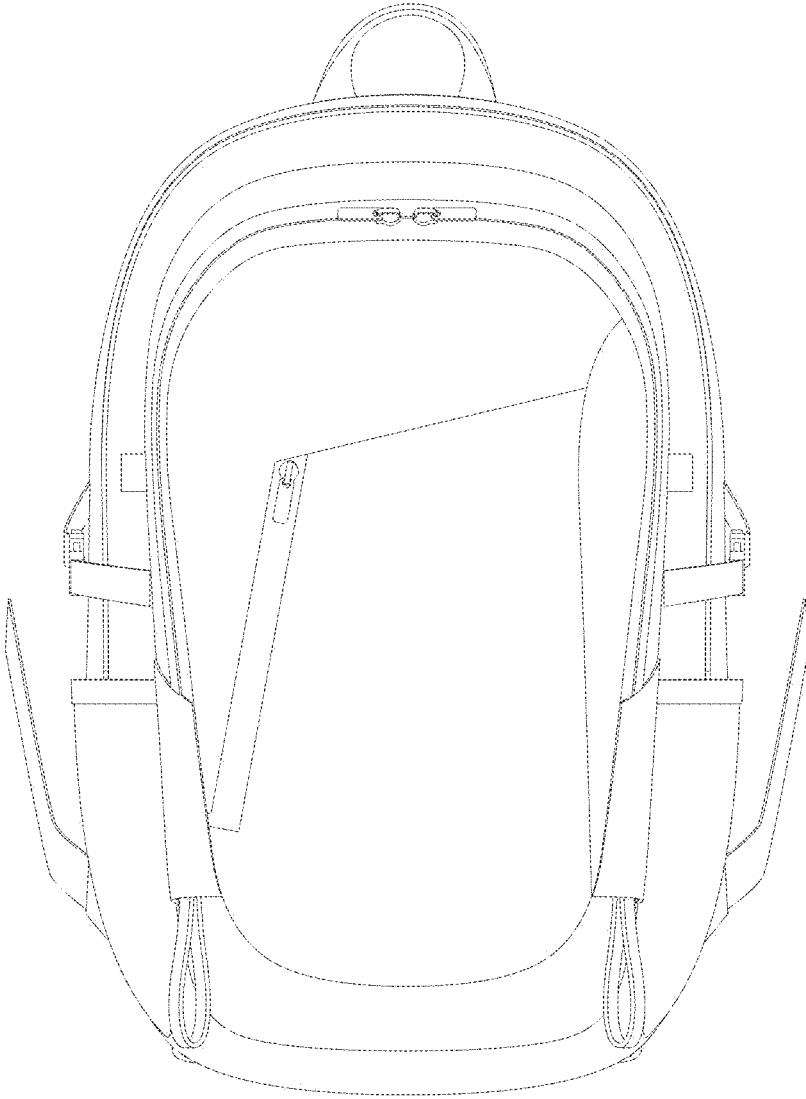


FIG. 4

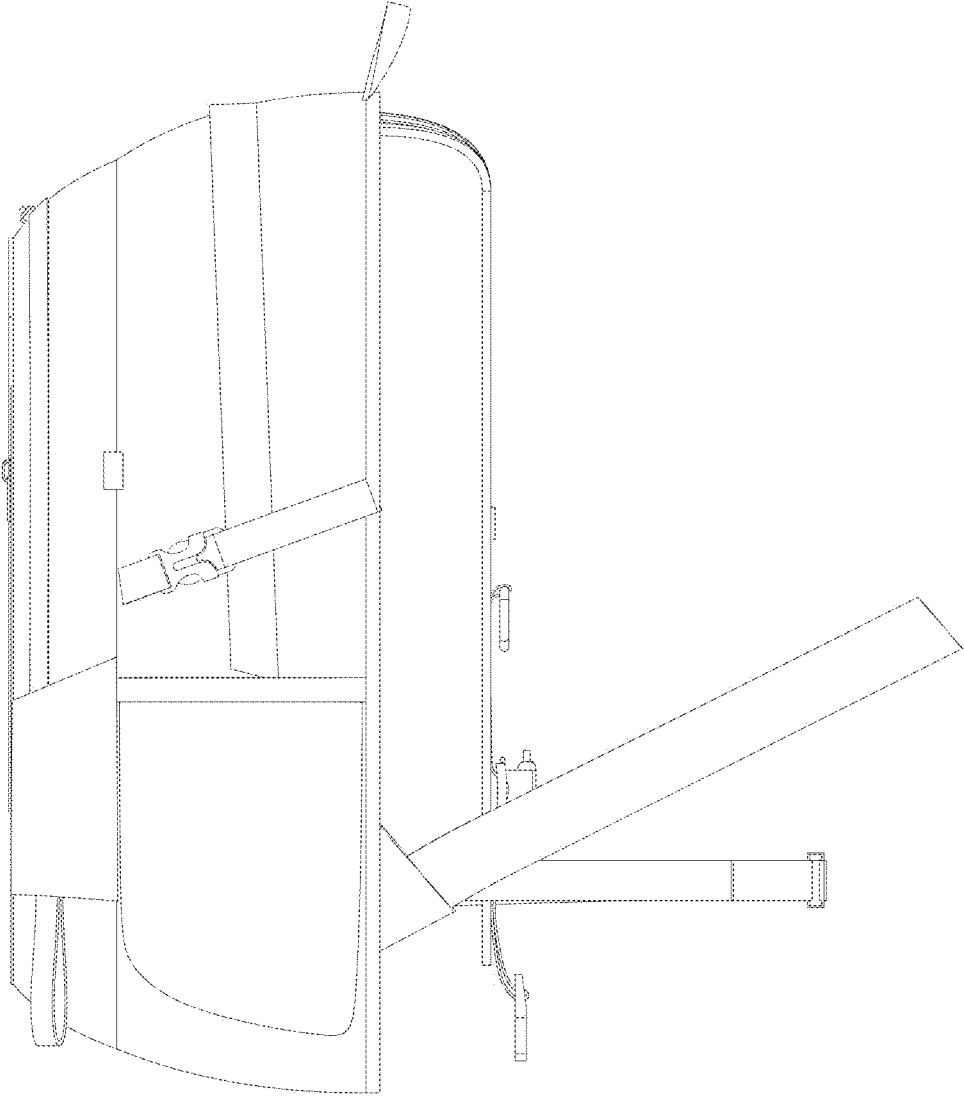


FIG.5

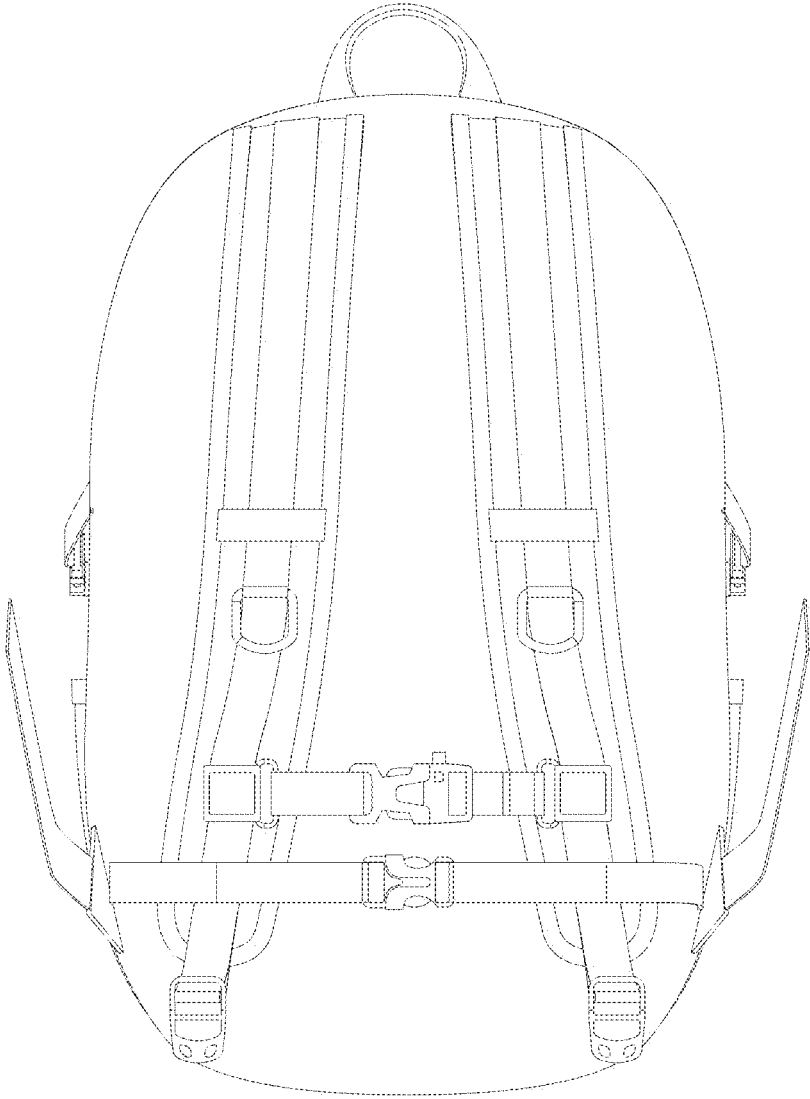


FIG.6

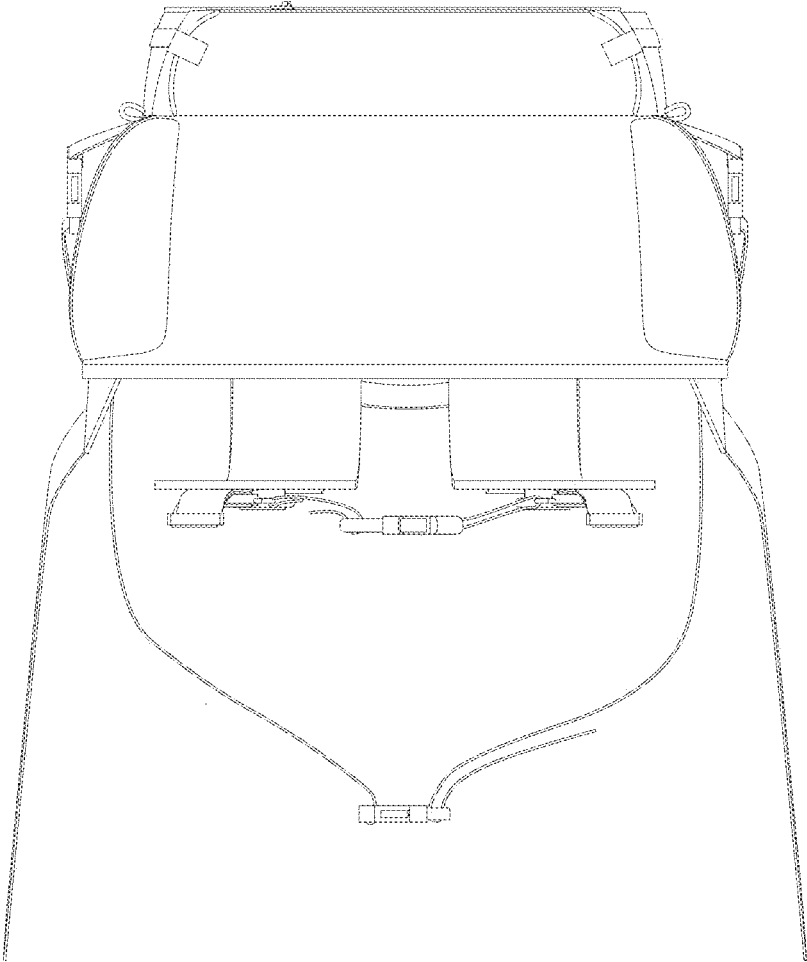


FIG. 7