

(19) World Intellectual Property Organization
International Bureau



(43) International Publication Date
19 October 2006 (19.10.2006)

PCT

(10) International Publication Number
WO 2006/109039 A3

(51) International Patent Classification:

F16C 32/06 (2006.01) H01J 37/18 (2006.01)
F16C 29/02 (2006.01)

(21) International Application Number:

PCT/GB2006/001306

(22) International Filing Date: 11 April 2006 (11.04.2006)

(25) Filing Language: English

(26) Publication Language: English

(30) Priority Data:

0507681.5 15 April 2005 (15.04.2005) GB

(71) Applicant (for all designated States except US): GSI GROUP LTD [GB/GB]; Cosford Lane, Swift Valley, Rugby, Warwickshire CV21 1QN (GB).

(72) Inventor; and

(75) Inventor/Applicant (for US only): PAVEY, Christopher, John [GB/GB]; Yew Tree Lodge, 4 Olivers Road, Colehill, Wimborne, Dorset BH21 2NT (GB).

(74) Agents: FAULKNER, Thomas, John et al.; fJ Cleveland, 40/43 Chancery Lane, London WC2A 1JQ (GB).

(81) Designated States (unless otherwise indicated, for every kind of national protection available): AE, AG, AL, AM,

AT, AU, AZ, BA, BB, BG, BR, BW, BY, BZ, CA, CH, CN, CO, CR, CU, CZ, DE, DK, DM, DZ, EC, EE, EG, ES, FI, GB, GD, GE, GH, GM, HR, HU, ID, IL, IN, IS, JP, KE, KG, KM, KN, KP, KR, KZ, LC, LK, LR, LS, LT, LU, LV, LY, MA, MD, MG, MK, MN, MW, MX, MZ, NA, NG, NI, NO, NZ, OM, PG, PH, PL, PT, RO, RU, SC, SD, SE, SG, SK, SL, SM, SY, TJ, TM, TN, TR, TT, TZ, UA, UG, US, UZ, VC, VN, YU, ZA, ZM, ZW.

(84) Designated States (unless otherwise indicated, for every kind of regional protection available): ARIPO (BW, GH, GM, KE, LS, MW, MZ, NA, SD, SL, SZ, TZ, UG, ZM, ZW), Eurasian (AM, AZ, BY, KG, KZ, MD, RU, TJ, TM), European (AT, BE, BG, CH, CY, CZ, DE, DK, EE, ES, FI, FR, GB, GR, HU, IE, IS, IT, LT, LU, LV, MC, NL, PL, PT, RO, SE, SI, SK, TR), OAPI (BF, BJ, CF, CG, CI, CM, GA, GN, GQ, GW, ML, MR, NE, SN, TD, TG).

Declaration under Rule 4.17:

— of inventorship (Rule 4.17(iv))

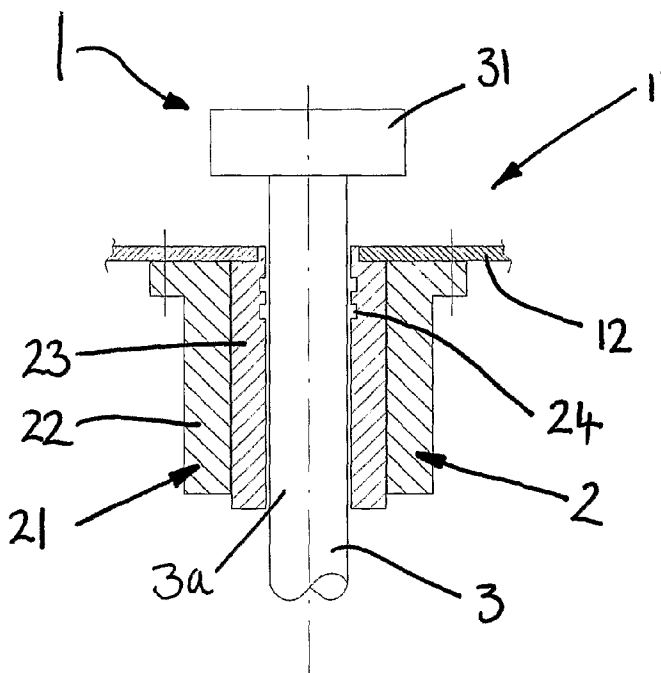
Published:

— with international search report

(88) Date of publication of the international search report:
3 May 2007

For two-letter codes and other abbreviations, refer to the "Guidance Notes on Codes and Abbreviations" appearing at the beginning of each regular issue of the PCT Gazette.

(54) Title: GAS BEARING SPINDLE



(57) Abstract: A gas bearing spindle (2) for use in processing apparatus (1), for example ion implantation apparatus. The spindle (2) has a steel bearing surface (23) and a shaft (3) coated with chrome (3a) or another hard material.

WO 2006/109039 A3

INTERNATIONAL SEARCH REPORT

International application No
PCT/GB2006/001306

A. CLASSIFICATION OF SUBJECT MATTER
INV. F16C32/06 F16C29/02 H01J37/18

According to International Patent Classification (IPC) or to both national classification and IPC

B. FIELDS SEARCHED

Minimum documentation searched (classification system followed by classification symbols)
F16C H01J

Documentation searched other than minimum documentation to the extent that such documents are included In the fields searched

Electronic data base consulted during the international search (name of data base and, where practical, search terms used)
EPO-Internal

C. DOCUMENTS CONSIDERED TO BE RELEVANT

Category*	Citation of document, with indication, where appropriate, of the relevant passages	Relevant to claim No.
X	US 2003/094059 A1 (HIGUCHI AKIRA ET AL) 22 May 2003 (2003-05-22)	1, 3-6, 13-15, 17, 19
A	paragraphs [0091], [0092], [0094], [0097]	2, 21, 22
X	EP 0 262 939 A (CANON KABUSHIKI KAISHA) 6 April 1988 (1988-04-06)	1, 3, 4, 12
A	page 3, lines 12-25, 55	8
X	EP 0 729 073 A (CANON KABUSHIKI KAISHA) 28 August 1996 (1996-08-28)	1, 3, 4
A	column 3	2, 17-19, 21, 22
	----- -/--	

Further documents are listed in the continuation of Box C.

See patent family annex.

* Special categories of cited documents :

- *A* document defining the general state of the art which is not considered to be of particular relevance
- *E* earlier document but published on or after the international filing date
- *L* document which may throw doubts on priority claim(s) or which is cited to establish the publication date of another citation or other special reason (as specified)
- *O* document referring to an oral disclosure, use, exhibition or other means
- *P* document published prior to the international filing date but later than the priority date claimed

- *T* later document published after the international filing date or priority date and not in conflict with the application but cited to understand the principle or theory underlying the invention
- *X* document of particular relevance; the claimed invention cannot be considered novel or cannot be considered to involve an inventive step when the document is taken alone
- *Y* document of particular relevance; the claimed invention cannot be considered to involve an inventive step when the document is combined with one or more other such documents, such combination being obvious to a person skilled in the art.
- *&* document member of the same patent family

Date of the actual completion of the international search 11 December 2006	Date of mailing of the international search report 18/12/2006
Name and mailing address of the ISA/ European Patent Office, P.B. 5818 Patentlaan 2 NL - 2280 HV Rijswijk Tel. (+31-70) 340-2040, Tx. 31 651 epo nl, Fax: (+31-70) 340-3016	Authorized officer BEGUIN, C

INTERNATIONAL SEARCH REPORT

International application No

PCT/GB2006/001306

C(Continuation). DOCUMENTS CONSIDERED TO BE RELEVANT		
Category*	Citation of document, with indication, where appropriate, of the relevant passages	Relevant to claim No.
X	WO 00/75522 A (NSK LTD; TANAKA, SUSUMU; KUDO, TOMOHIRO; TANAKA, KATUHIKO; OHORI, MANA) 14 December 2000 (2000-12-14)	1, 3, 4, 12
A	abstract	2
X	GB 2 307 724 A (* HONEYWELL INC) 4 June 1997 (1997-06-04)	1, 3
A	page 2, line 4 page 3, line 7; claims	2, 21, 22
X	US 2004/155534 A1 (ENGWALL MATS ANDERS) 12 August 2004 (2004-08-12)	1, 3, 4, 12-14
A	paragraphs [0047] - [0049], [0060] - [0063]	15, 17-22
A	US 6 296 990 B1 (KWAN YIM BUN PATRICK) 2 October 2001 (2001-10-02)	1-5, 7, 8, 12, 15, 17-22
	column 2, lines 51-60 column 4, line 41 column 5, lines 13-16	
A	US 6 491 435 B1 (NISHIKAWA KATSUHIRO ET AL) 10 December 2002 (2002-12-10)	1, 2, 13-15, 17, 20
	the whole document	
A	EP 0 482 386 A (KABUSHIKI KAISHA TOSHIBA) 29 April 1992 (1992-04-29)	1-4, 8, 12, 21, 22
	column 7, line 48 - column 8, line 17	
A	EP 1 519 087 A (DANA CORPORATION) 30 March 2005 (2005-03-30)	9-11
	paragraph [0017]	
A	EP 0 740 066 A (BORG-WARNER AUTOMOTIVE, INC) 30 October 1996 (1996-10-30)	9-11
	column 2, line 44	
A	US 4 726 689 A (POLLOCK ET AL) 23 February 1988 (1988-02-23)	1, 5, 6
	cited in the application the whole document	

INTERNATIONAL SEARCH REPORT

Information on patent family members

International application No

PCT/GB2006/001306

Patent document cited in search report		Publication date	Patent family member(s)	Publication date
US 2003094059	A1	22-05-2003	NONE	
EP 0262939	A	06-04-1988	DE 3788331 D1 DE 3788331 T2 US 4838710 A	13-01-1994 28-04-1994 13-06-1989
EP 0729073	A	28-08-1996	DE 69605337 D1 DE 69605337 T2 JP 8229759 A US 5858587 A	05-01-2000 11-05-2000 10-09-1996 12-01-1999
WO 0075522	A	14-12-2000	NONE	
GB 2307724	A	04-06-1997	NONE	
US 2004155534	A1	12-08-2004	NONE	
US 6296990	B1	02-10-2001	JP 2000027869 A TW 421733 B	25-01-2000 11-02-2001
US 6491435	B1	10-12-2002	NONE	
EP 0482386	A	29-04-1992	CA 2052472 A1 CN 1060738 A DE 69123554 D1 DE 69123554 T2 US 5181235 A	20-04-1992 29-04-1992 23-01-1997 30-04-1997 19-01-1993
EP 1519087	A	30-03-2005	US 2005067790 A1	31-03-2005
EP 0740066	A	30-10-1996	US 5626327 A	06-05-1997
US 4726689	A	23-02-1988	NONE	