

[54] **MARKING INSTRUMENT**

[75] **Inventors:** Peter A. Krückel, Heroldsberg;
Gerhard Möck, Kirchehrenbach,
both of Fed. Rep. of Germany

[73] **Assignee:** Schwan-Stabilo Schwänhausser
GmbH & Co., Nuremberg, Fed. Rep.
of Germany

[**] **Term:** 14 Years

[21] **Appl. No.:** 235,538

[22] **Filed:** Feb. 18, 1981

[30] **Foreign Application Priority Data**

Nov. 4, 1980 [DE] Fed. Rep. of Germany ... MR VI 442

[51] **Int. Cl.** D19-06

[52] **U.S. Cl.** D19/43; D19/56

[58] **Field of Search** D19/35, 36, 41-51,
D19/56, 57; 401/198, 199, 202

[56]

References Cited

U.S. PATENT DOCUMENTS

D. 236,977	9/1975	Hocq	D19/51
D. 252,934	9/1979	Carre	D19/49
D. 254,677	4/1980	Burrows	D19/36
D. 260,272	8/1981	Horntrich	D19/57
D. 261,678	11/1981	Mann	D19/51
4,183,685	1/1980	Hofmann et al.	D19/43

Primary Examiner—George P. Word

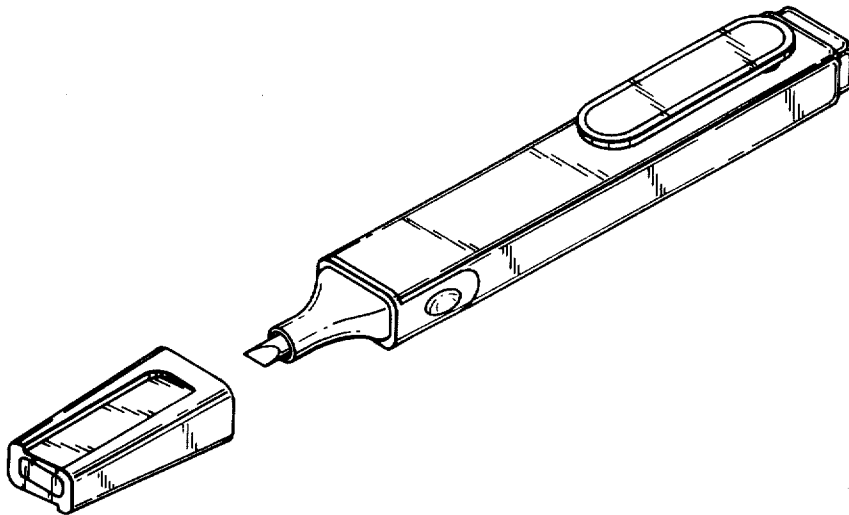
[57]

CLAIM

The ornamental design for a marking instrument, as shown and described.

DESCRIPTION

FIG. 1 is a perspective view of a marking instrument, showing our new design;
FIG. 2 is an exploded perspective view thereof with the cap removed;
FIG. 3 is a front elevational view of FIG. 1;
FIG. 4 is a top plan view thereof;
FIG. 5 is a right side elevational view thereof;
FIG. 6 is a left side elevational view thereof;
FIG. 7 is a rear elevational view thereof; and
FIG. 8 is a bottom plan view thereof.



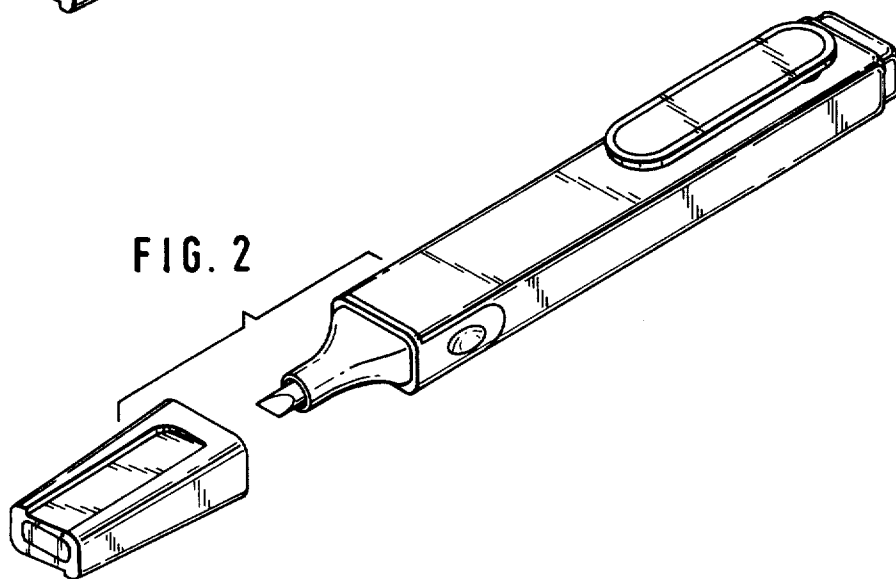
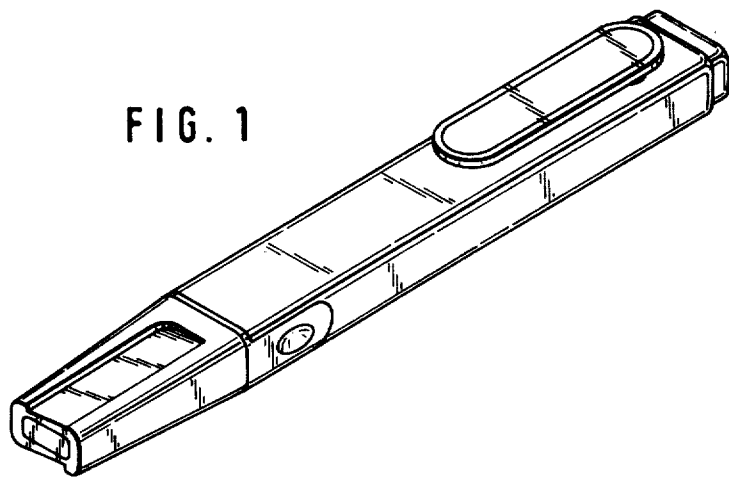




FIG. 5

FIG. 3

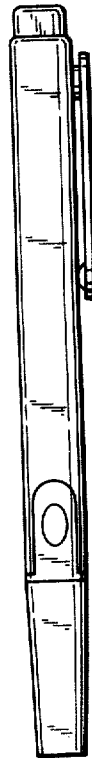
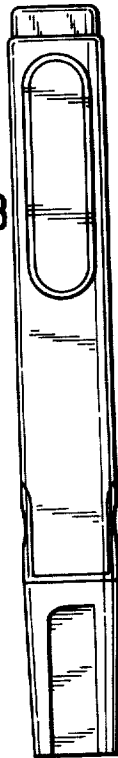


FIG. 6

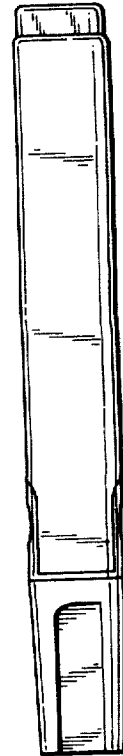


FIG. 7