



US0D1027672S

(12) **United States Design Patent**
Guo

(10) **Patent No.:** **US D1,027,672 S**

(45) **Date of Patent:** **** May 21, 2024**

(54) **SPRINKLER TIMER**

(71) Applicant: **Xiaomin Guo**, Shenzhen (CN)

(72) Inventor: **Xiaomin Guo**, Shenzhen (CN)

(**) Term: **15 Years**

(21) Appl. No.: **29/847,239**

(22) Filed: **Jul. 22, 2022**

(51) **LOC (14) Cl.** **10-03**

(52) **U.S. Cl.**
USPC **D10/40**

(58) **Field of Classification Search**
USPC D10/40, 41, 46, 49, 97-98; D23/245,
D23/246

CPC Y10T 137/86389; Y10T 137/86397; A01G
25/16; A01G 25/162; A01G 25/165;
G05B 2219/2625

See application file for complete search history.

(56) **References Cited**

U.S. PATENT DOCUMENTS

D643,755	S *	8/2011	Nies	D10/40
D658,519	S *	5/2012	Connolly	D10/122
D679,202	S *	4/2013	Hu	D10/40
D837,664	S *	1/2019	Cheng	D23/245
D908,512	S *	1/2021	Chen	D10/40
D935,332	S *	11/2021	Chen	D10/40
D954,566	S *	6/2022	Chen	D10/40
D981,882	S *	3/2023	Wang	D10/40
2014/0229024	A1 *	8/2014	Wang	A01G 25/165 700/284

OTHER PUBLICATIONS

Diivoo Water Timer for Irrigation | amazon.co.uk; date first avail. Dec. 27, 2022 [online]. © 1996-2024, Amazon.com, Inc [retrieved Mar. 20, 2024] from Internet: <https://www.amazon.co.uk/Irrigation-Diivoo-Sprinkler-Automatic-Watering/dp/B0BR51ZF6K?th=1> (Year: 2022).*

* cited by examiner

Primary Examiner — Katherine Glennon

(74) *Attorney, Agent, or Firm* — Birchwood IP

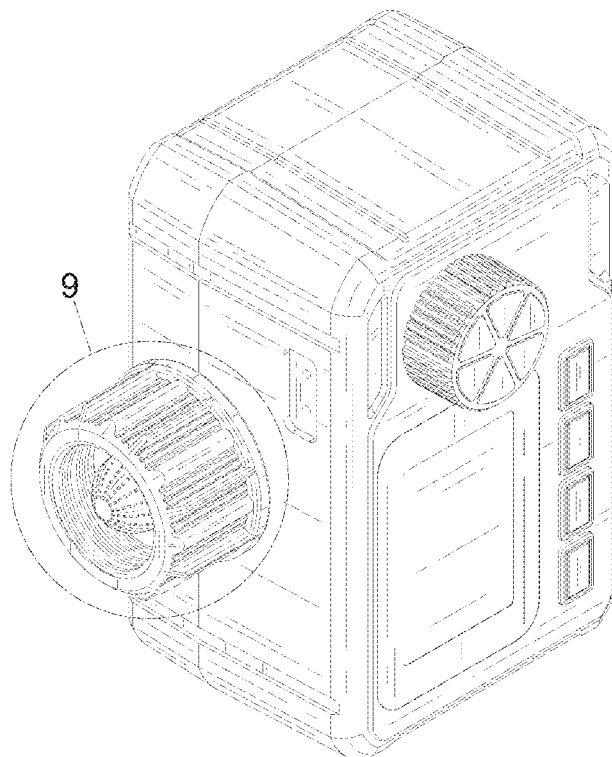
(57) **CLAIM**

The ornamental design for a sprinkler timer, as shown and described.

DESCRIPTION

FIG. 1 is a perspective view of a sprinkler timer, showing my new design;
FIG. 2 is another perspective view thereof;
FIG. 3 is a front view thereof;
FIG. 4 is a rear view thereof;
FIG. 5 is a left side view thereof;
FIG. 6 is a right side view thereof;
FIG. 7 is a top plan view thereof;
FIG. 8 is a bottom plan view thereof; and,
FIG. 9 is an enlarged view of portion 9 shown in FIG. 1.
The broken line showing of the sprinkler timer is for the purpose of illustrating article and forms no part of the claimed design.

1 Claim, 9 Drawing Sheets



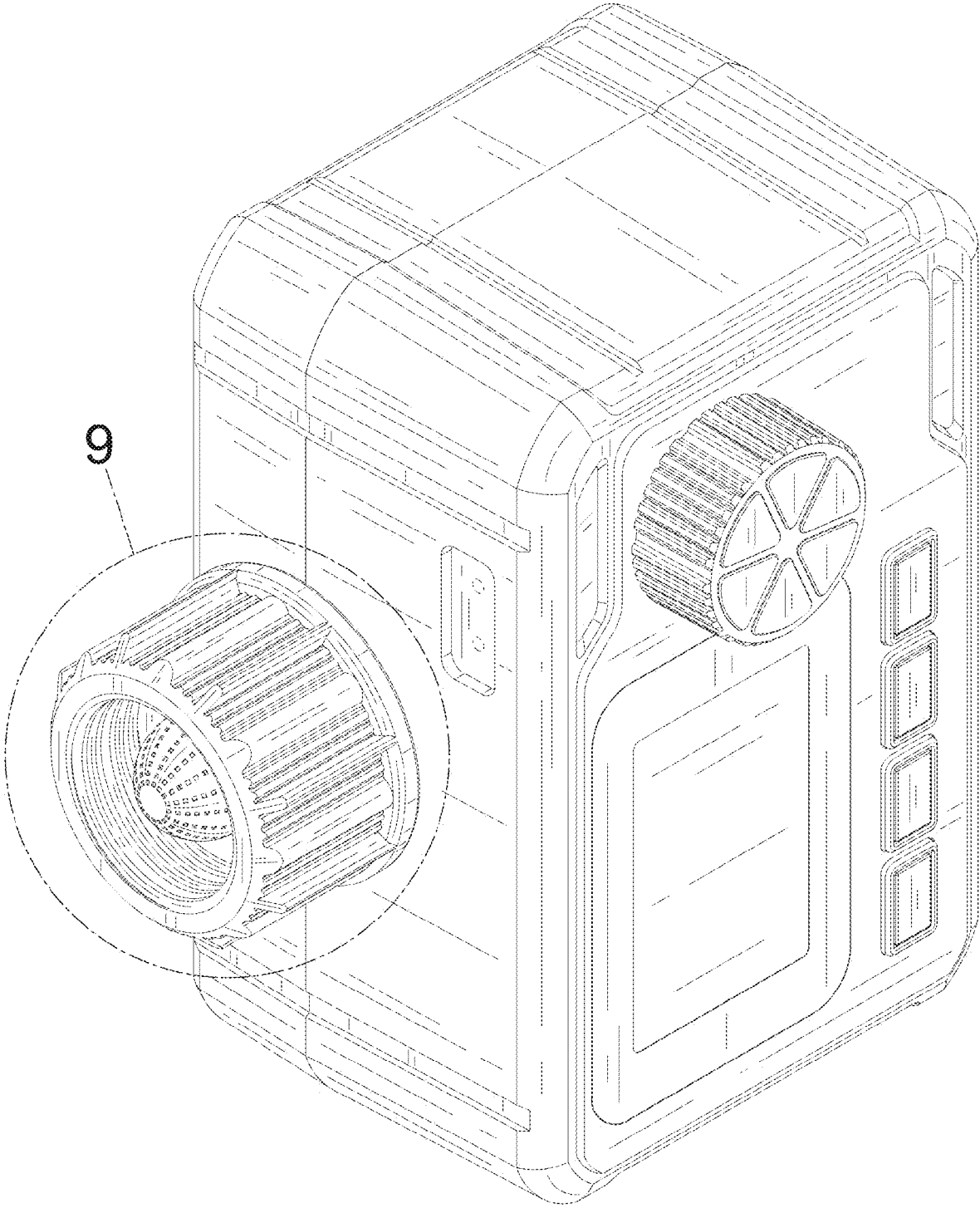


FIG. 1

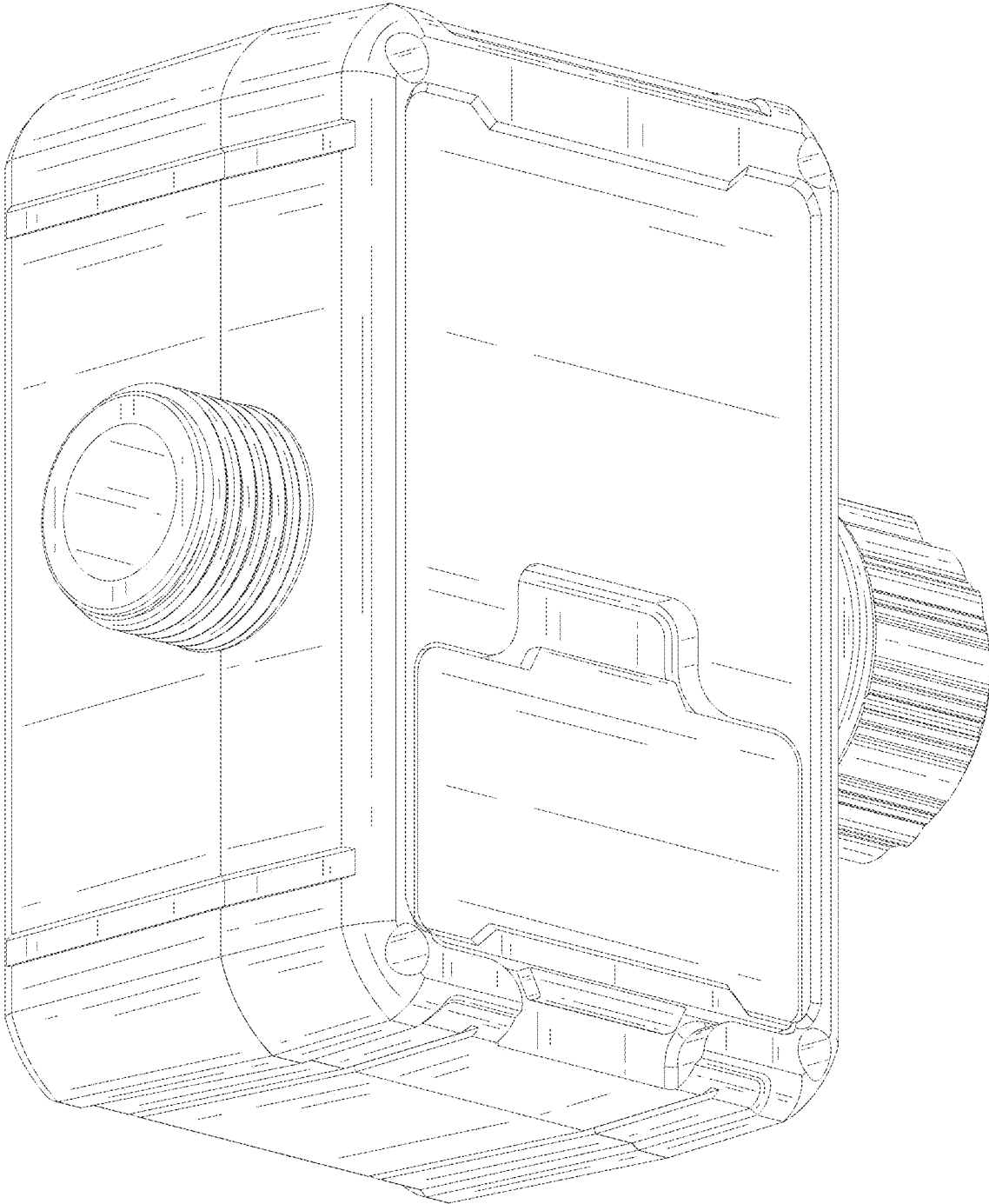


FIG. 2

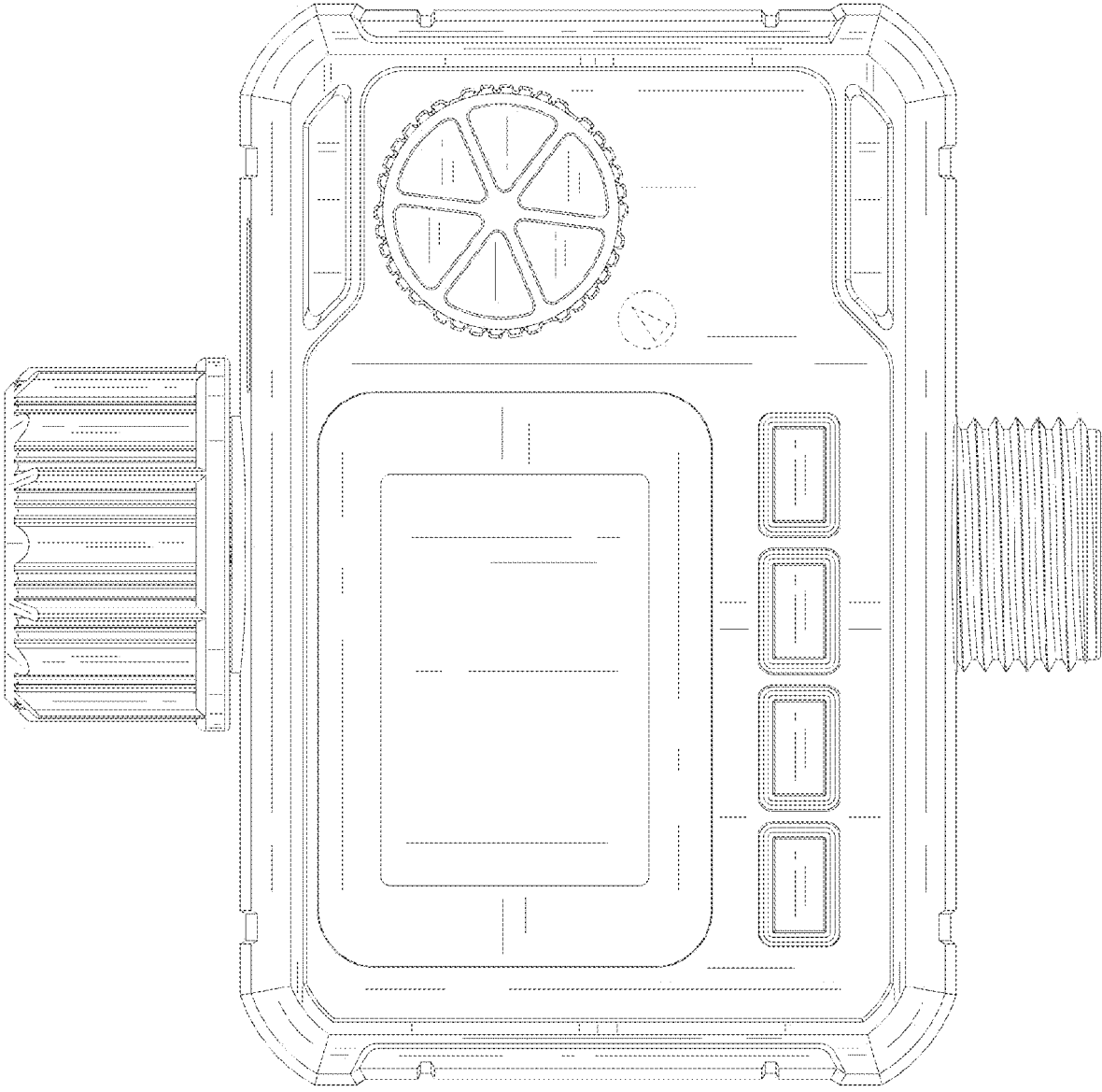


FIG. 3

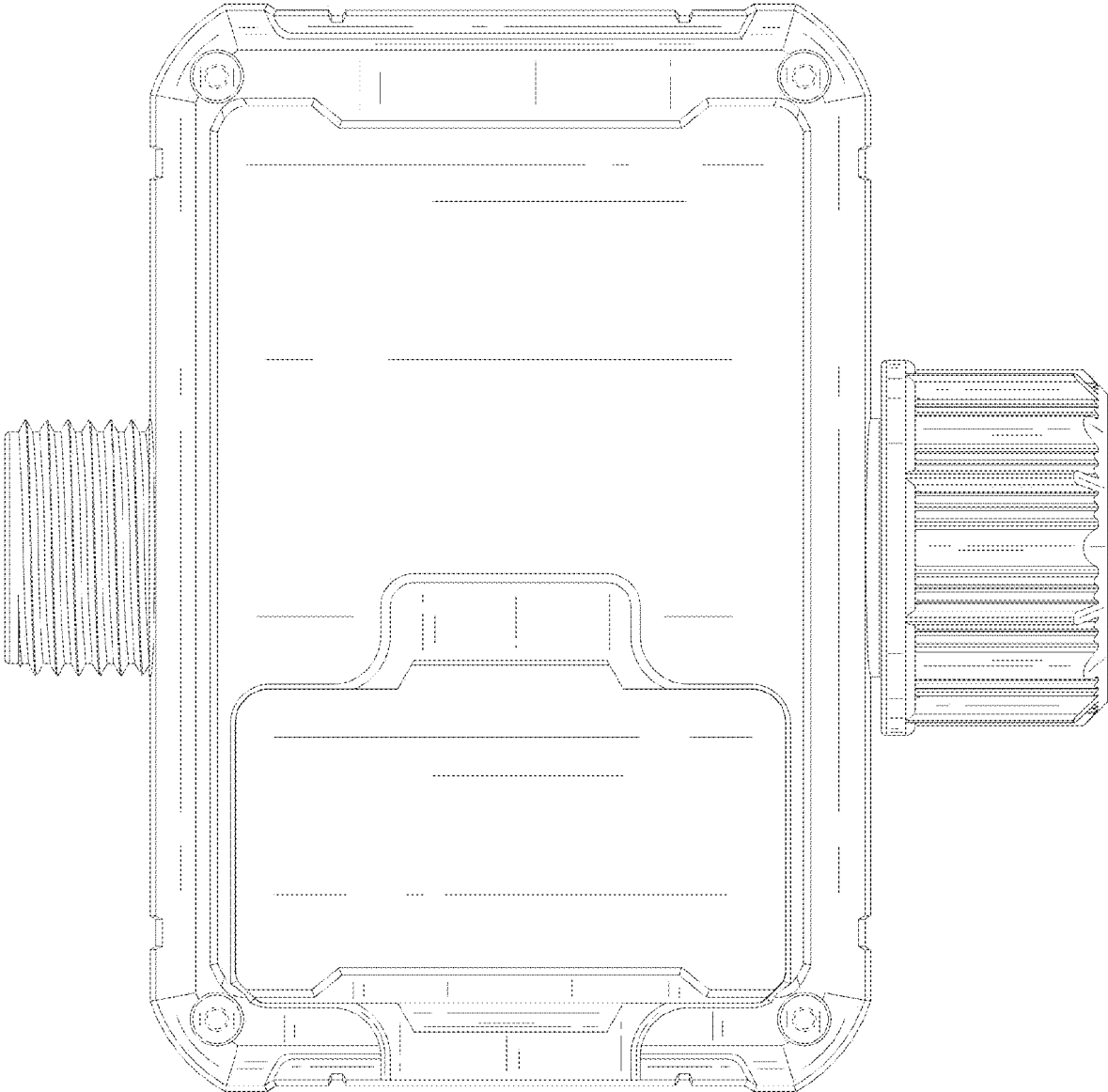


FIG. 4

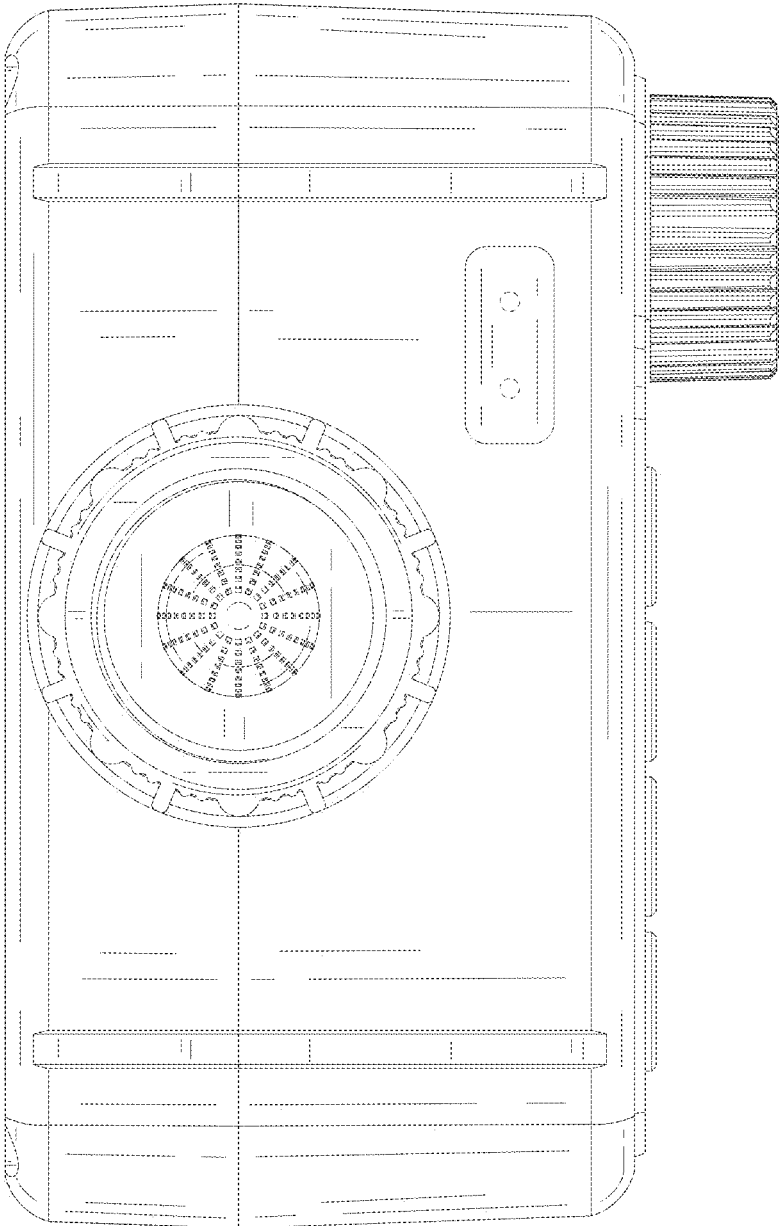


FIG. 5

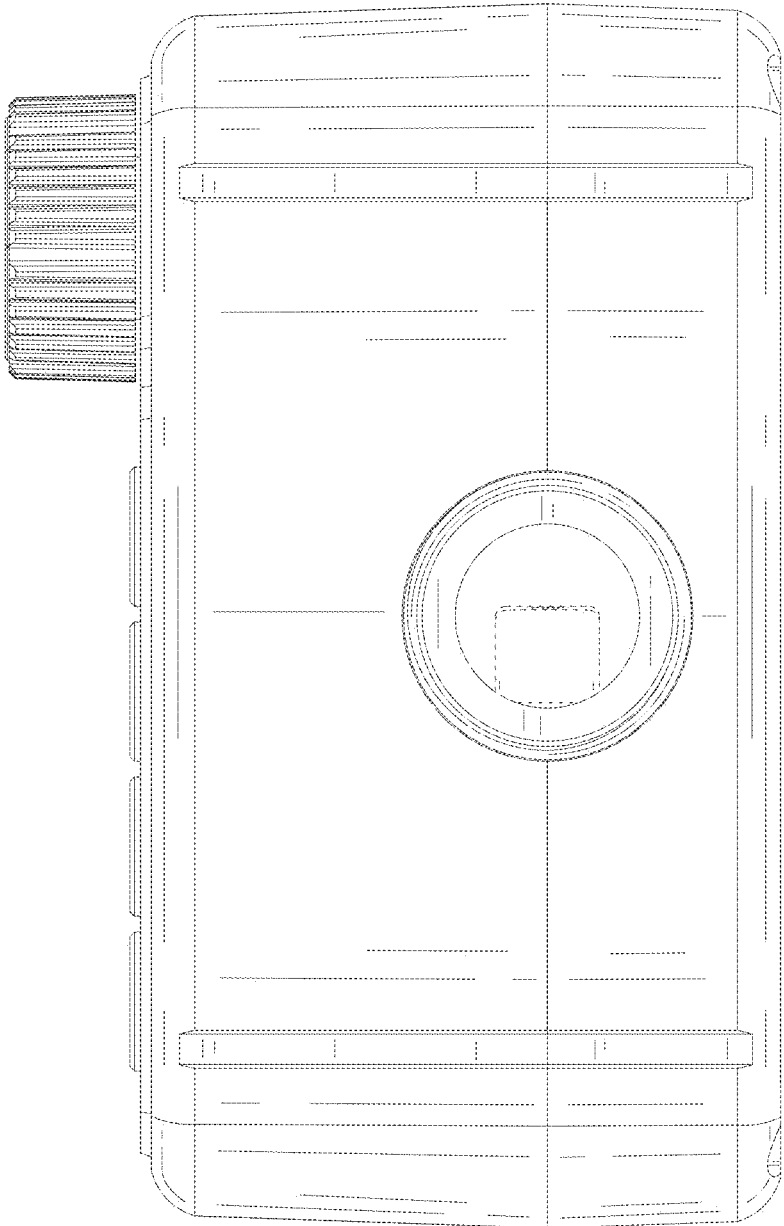


FIG. 6

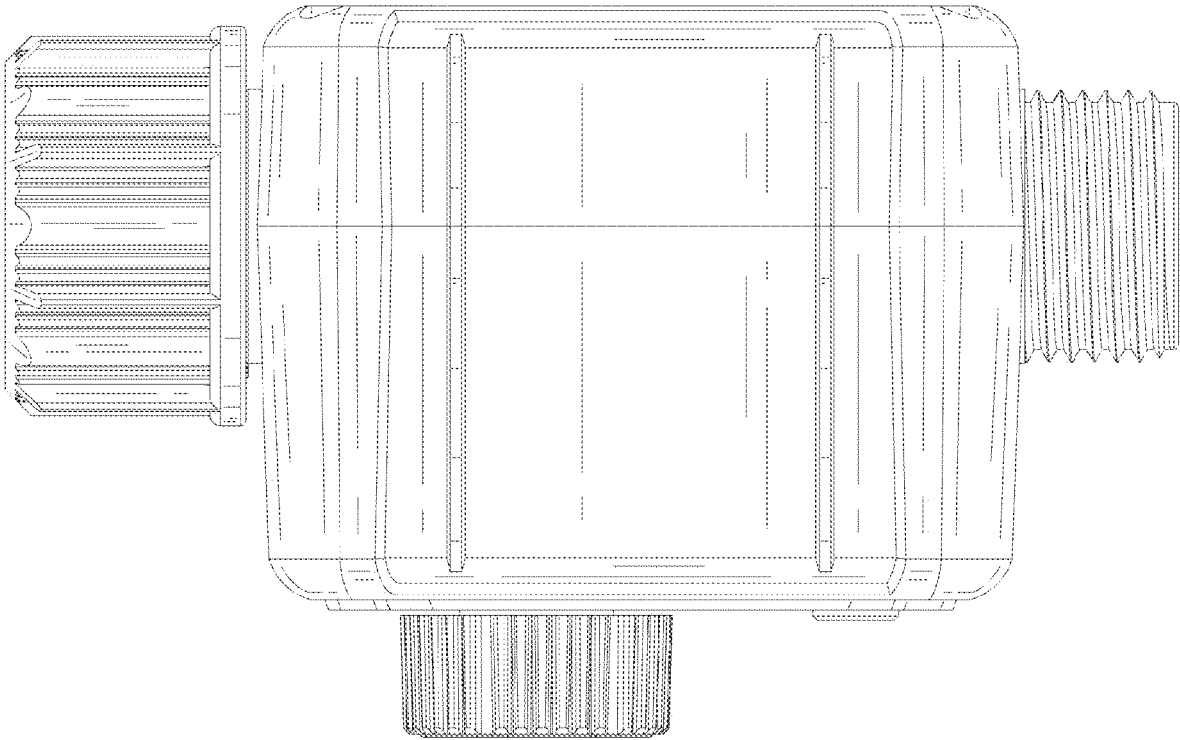


FIG. 7

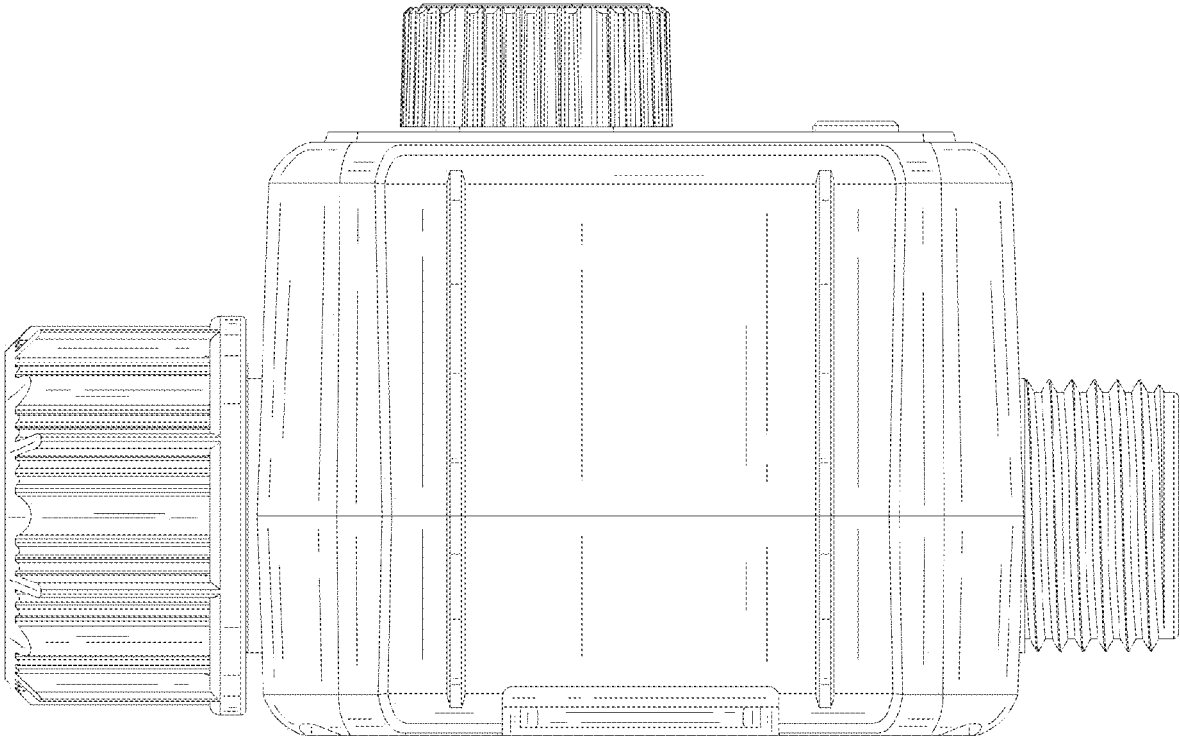


FIG. 8

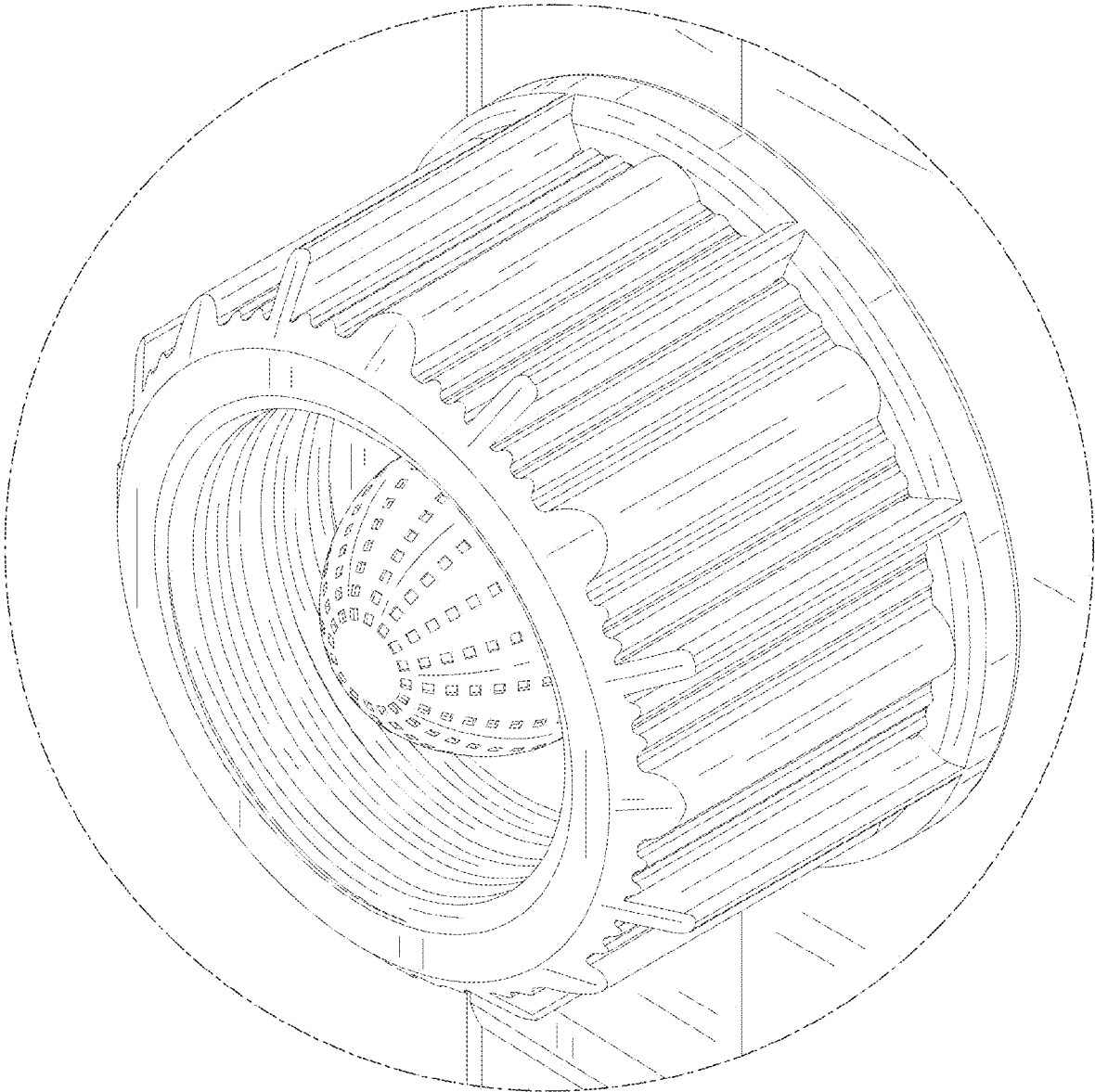


FIG. 9