



US00D370342S

**United States Patent** [19]  
**Gwyther**

[11] **Patent Number:** **Des. 370,342**

[45] **Date of Patent:** **\*\*Jun. 4, 1996**

[54] **GOLFER'S UTILITY CHEST**

[76] Inventor: **Thomas Gwyther**, 409 Scott Ave.,  
Rome, N.Y. 13440

[\*\*] Term: **14 Years**

[21] Appl. No.: **32,448**

[22] Filed: **Dec. 19, 1994**

[52] U.S. Cl. .... **D3/254**; D3/904; D3/905

[58] **Field of Search** ..... D3/273, 254, 260,  
D3/283, 291, 295, 296, 297, 315, 901,  
904, 905, 304; D9/347; D6/159, 440, 396,  
432, 397, 445, 446; 206/315.9, 315.11,  
278.1, 349; 43/54.1, 21.2; 312/902, DIG. 33

[56] **References Cited**

**U.S. PATENT DOCUMENTS**

D. 202,160	8/1965	Territo .....	D3/901 X
D. 258,175	2/1981	Hazeltine .....	D3/905 X
D. 278,397	4/1985	Frankenreiter .....	D3/296 X
D. 298,584	11/1988	Newby, Sr. ....	D3/905 X
D. 341,715	11/1993	Ancona et al. ....	D3/296 X

*Primary Examiner*—Doris V. Coles  
*Assistant Examiner*—Catherine R. Oliver  
*Attorney, Agent, or Firm*—George R. McGuire

[57] **CLAIM**

The ornamental design for golfer's utility chest, as shown and described.

**DESCRIPTION**

FIG. 1 is a perspective view of a golfer's utility chest; FIG. 2 is a front elevational view thereof; FIG. 3 is a right side elevational view thereof, with the opposite side being a mirror image thereof; FIG. 4 is a top plan view thereof; FIG. 5 is a bottom plan view thereof; FIG. 6 is a rear elevational view thereof; and, FIG. 7 is a perspective view showing, in particular, the present invention's segmented, top cavity and the golf ball receiving holes formed through one of the drawers. The broken line showing of golf balls and golf tees is for illustrative purposes only and forms no part of the claimed design.

**1 Claim, 3 Drawing Sheets**

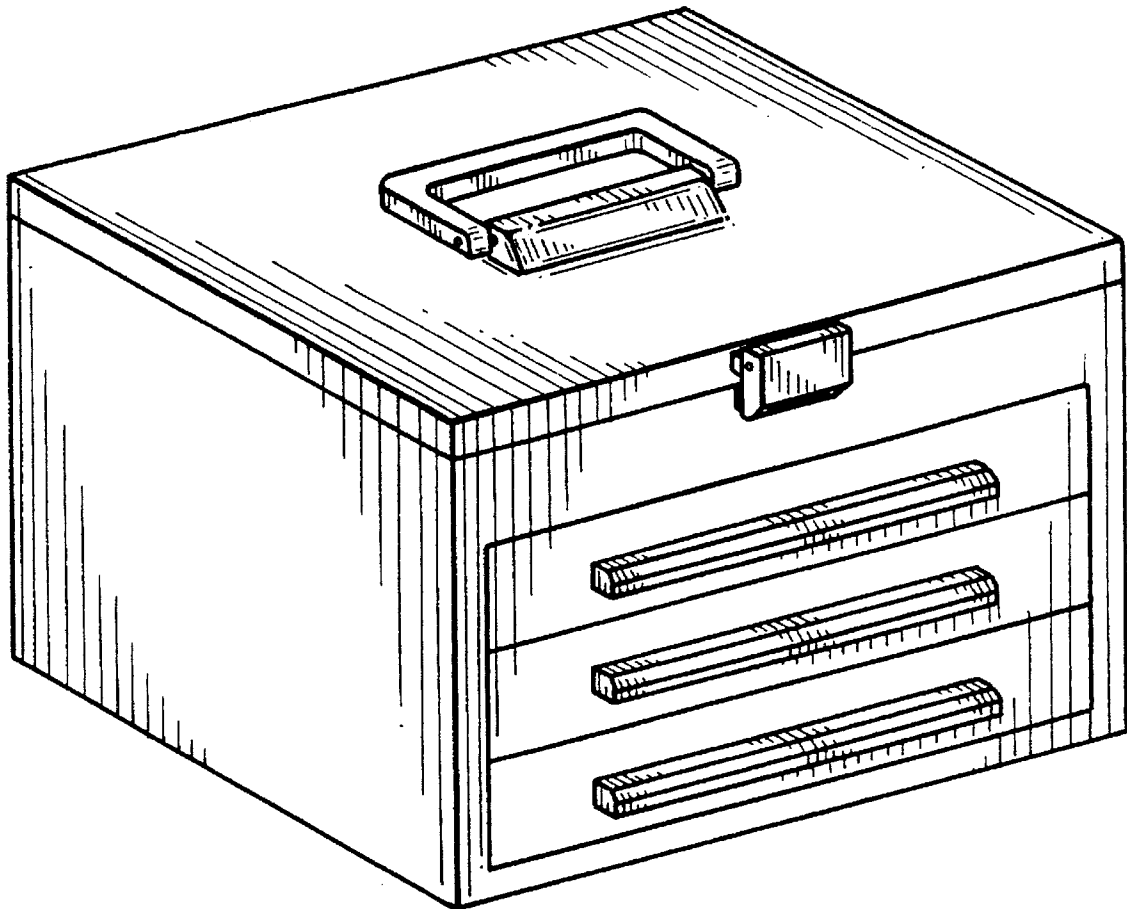


FIG-1

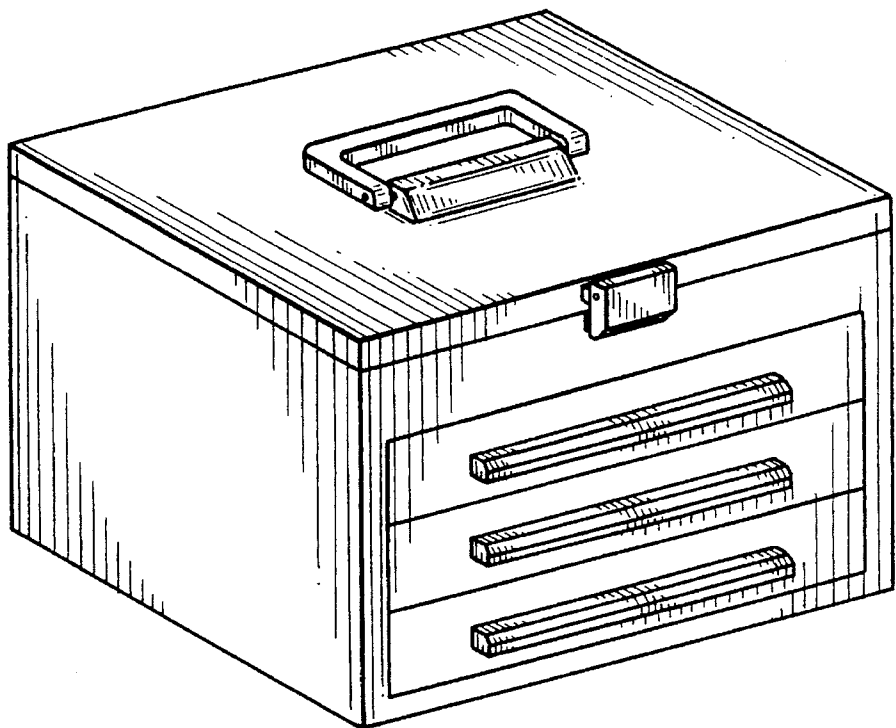


FIG-2

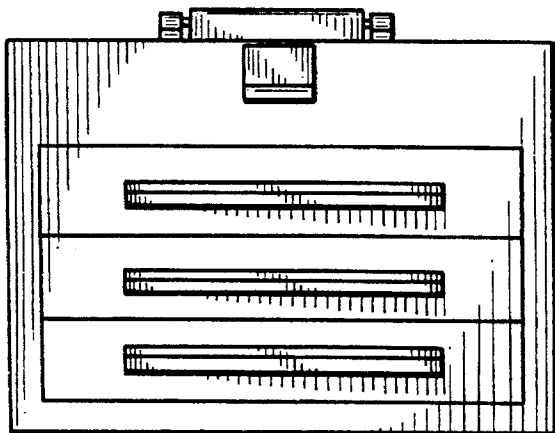


FIG-3

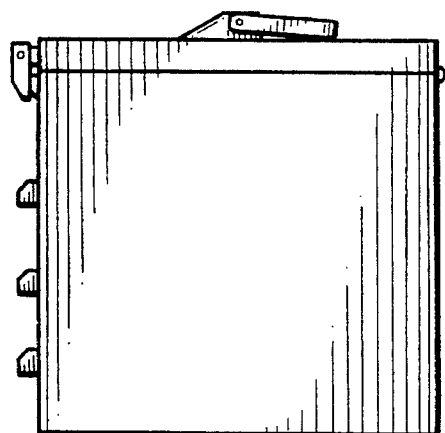


FIG-4

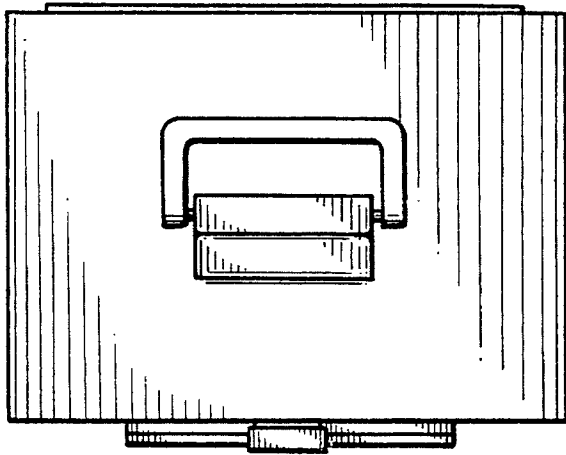


FIG-5

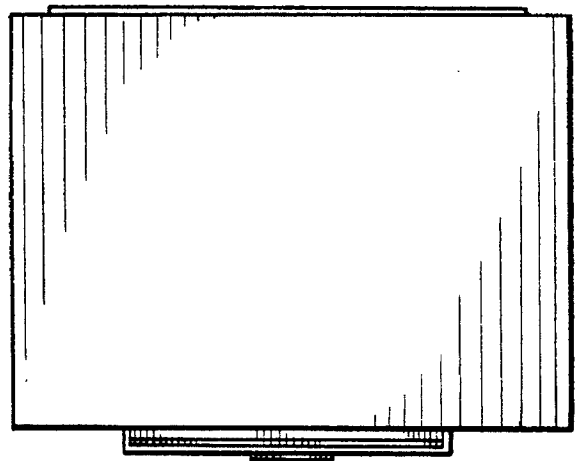
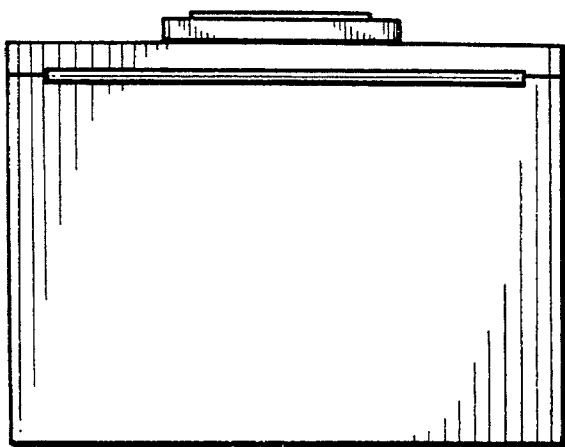


FIG-6



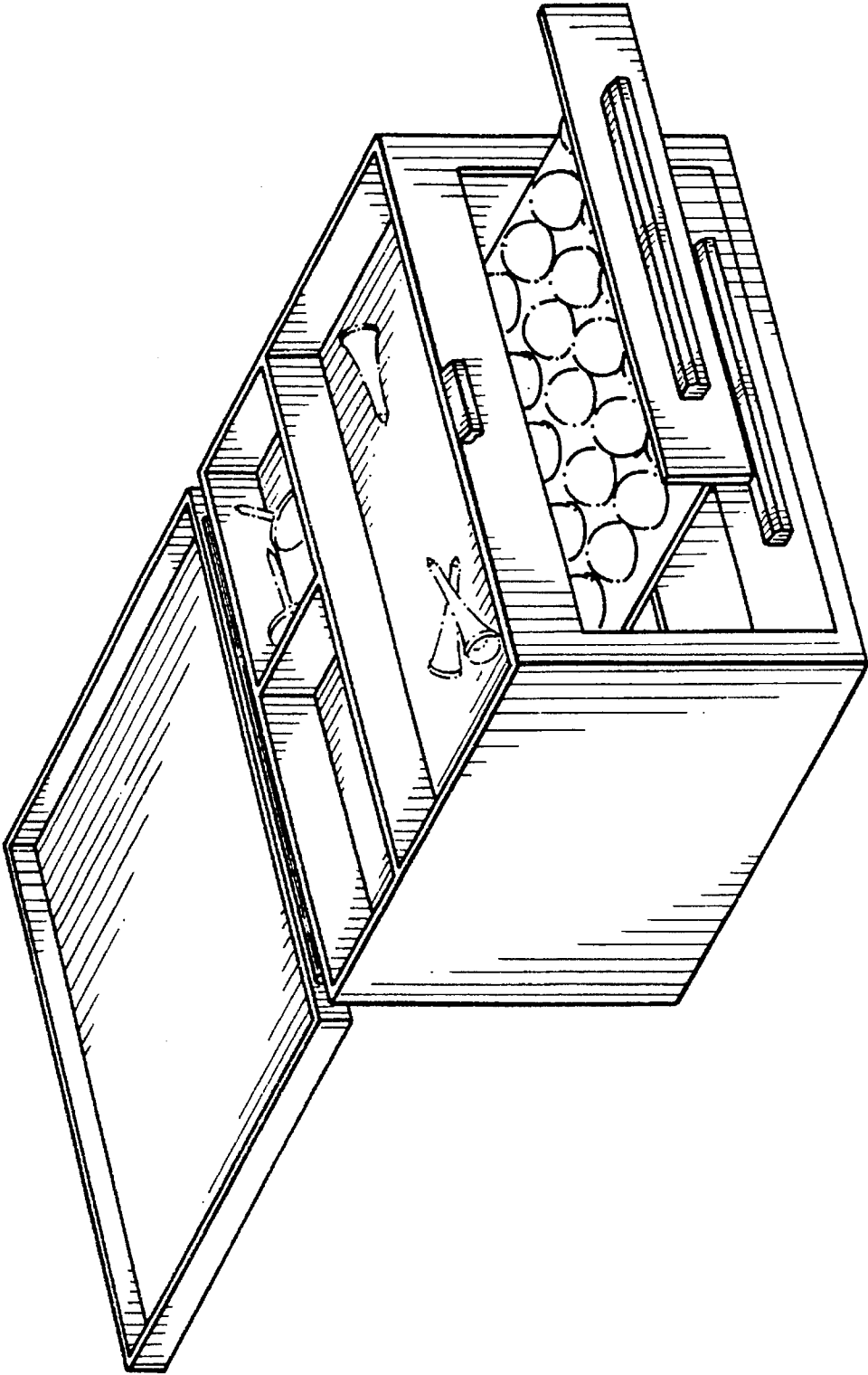


FIG-7