

June 10, 1941.

N. S. SARKISIAN
GARMENT CURING FORM
Filed Feb. 10, 1941

Des. 127,688

Fig. 1.

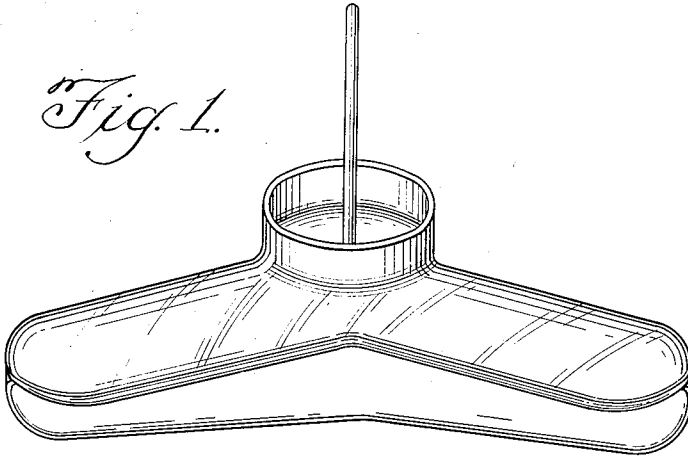


Fig. 2.

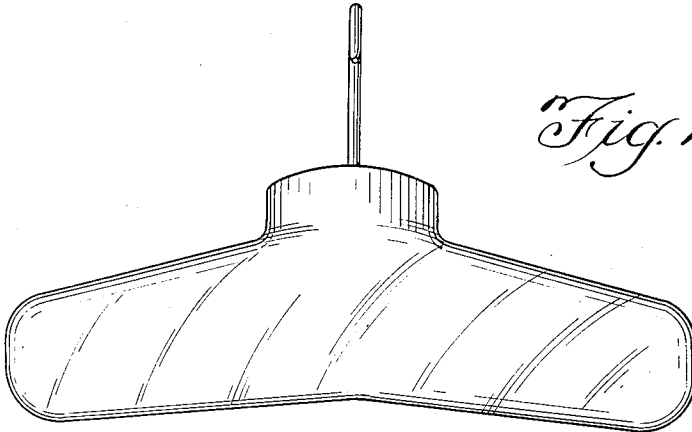
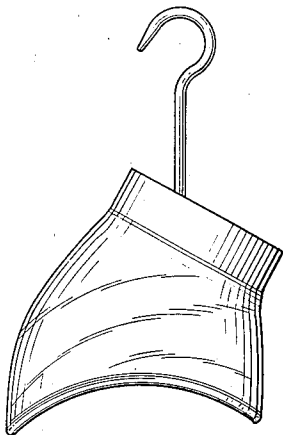


Fig. 3.



Inventor:
Nishan S. Sarkisian
By Eugene M. Giles
Atty.

UNITED STATES PATENT OFFICE

127,688

DESIGN FOR A GARMENT CURING FORM

Nishan S. Sarkisian, Mishawaka, Ind., assignor to
Mishawaka Rubber and Woolen Manufacturing
Company, Mishawaka, Ind., a corporation
of Indiana

Application February 10, 1941, Serial No. 98,859

Term of patent 14 years

To all whom it may concern:

Be it known that I, Nishan S. Sarkisian, a citizen of the United States, residing at Mishawaka, in the county of St. Joseph, and State of Indiana, have invented a new, original, and ornamental Design for a Garment Curing Form, of which the following is a specification, reference being had to the accompanying drawing, forming part thereof.

Fig. 1 is a perspective view of the front of a garment curing form, showing my design;

Fig. 2 is a perspective view of the rear thereof; and

Fig. 3 is a side elevational view thereof.

I claim:

The ornamental design for a garment curing form, as shown.

NISHAN S. SARKISIAN.